

Electrodynamic Velocity Sensor

Mechanical velocity sensor for absolute vibration measurement of critical turbomachinery applications such as steam, gas and hydro turbines, compressors, pumps and fans to measure case vibration.

Sensor Orientation	
PR9268/01x-x00	Omni Directional
PR9268/20x-x00	Vertical, $\pm 60^\circ$
PR9268/30x-x00	Horizontal, $\pm 30^\circ$
PR9268/60x-000	Vertical, $\pm 30^\circ$ (without lifting current) Vertical, $\pm 60^\circ$ (with lifting current)
PR9268/70x-000	Horizontal, $\pm 10^\circ$ (without lifting current) Horizontal, $\pm 30^\circ$ (with lifting current)
Dynamic Performance (PR9268/01x-x00)	
Sensitivity	17.5 mV/mm/s
Frequency Range	14 to 1000Hz
Natural Frequency	4.5Hz \pm 0.75Hz @ 20°C (68°F)
Transverse Sensitivity	< 0.1 @ 80Hz
Vibration Amplitude	$\pm 500\mu\text{m}$
Amplitude Linearity	< 2%
Maximum Acceleration	10g (98.1 m/s ²) continuous, 20g (196.2 m/s ²) intermittent
Maximum Transverse Acceleration	2g (19.62 m/s ²)
Damping Factor	$\sim 0.6\%$ @ 20°C (68°F)
Resistance	1723 Ω \pm 2%
Inductance	≤ 90 mH
Active Capacity	< 1.2 nF



Dynamic Performance (PR9268/20x-x00 & PR9268/30x-x00)	
Sensitivity	28.5 mV/mm/s (723.9 mV/in/s)
Frequency Range	4 to 1000Hz
Natural Frequency	4.5Hz \pm 0.75Hz @ 20°C (68°F)
Transverse Sensitivity	0.13 (PR9268/20x-x00) @ 110Hz 0.27 (PR9268/30x-x00) @ 110Hz
Vibration Amplitude (mechanical Limit)	\pm 1500 μ m (\pm 2000 μ m)
Amplitude Linearity	< 2%
Maximum Acceleration	10g (98.1 m/s ²) continuous, 20g (196.2 m/s ²) intermittent
Maximum Transverse Acceleration	2g (19.62 m/s ²)
Damping Factor	~0.56 @ 20°C (68°F) ~0.42 @ 100°C (212°F)
Resistance	1875 Ω \pm 10%
Inductance	\leq 90 mH
Active Capacity	< 1.2 nF
Dynamic Performance (PR9268/60x-000 & PR9268/70x-000)	
Sensitivity	22.0 mV/mm/s \pm 5% @ Pin 3, 100 Ω load 16.7 mV/mm/s \pm 5% @ Pin 1, 50 Ω load 16.7 mV/mm/s \pm 5% @ Pin 4, 20 Ω load
Frequency Range	10 to 1000Hz
Natural Frequency	8Hz \pm 1.5Hz @ 20°C (68°F)
Transverse Sensitivity	0.10 @ 80Hz
Vibration Amplitude (mechanical Limit)	\pm 1500 μ m (\pm 2000 μ m)
Amplitude Linearity	< 2%
Maximum Acceleration	10g (98.1 m/s ²) continuous, 20g (196.2 m/s ²) intermittent
Maximum Transverse Acceleration	2g (19.62 m/s ²)
Damping Factor	~0.7 @ 20°C (68°F) ~0.5 @ 200°C (392°F)
Resistance	3270 Ω \pm 10% @ Pin 3 3770 Ω \pm 10% @ Pin 1
Inductance	\leq 160 mH
Active Capacity	Insignificant

Environmental, General		
Power	Self-Powered	
Operating Temperature Range	PR9268/01x-x00 PR9268/20x-x00 PR9268/30x-x00	-20 to +100°C (-4 to 212°F)
	PR9268/60x-000 PR9268/70x-000	-20 to +200°C (-4 to 392°F)
Protection Class	PR9268/20x-x00 PR9268/30x-x00	IP55
	PR9268/01x-x00 PR9268/60x-000 PR9268/70x-000	IP65
	Relative Humidity	
	0 to 100%, Non Condensing	
Material	PR9268/20x-x00 PR9268/30x-x00	Al Mg Si Pb F 28
	PR9268/01x-x00 PR9268/60x-000 PR9268/70x-000	Stainless Steel
	Cable	PTFE, 3x 0.5mm ²
	Armor	Stainless Steel
	Harting Plug	Die Cast Aluminium
	Weight	PR9268/01x-x00
PR9268/20x-x00 PR9268/30x-x00		930g
PR9268/60x-000 PR9268/70x-000		1050g

Compliance and Certifications		
CE	2014/30/EU 2014/34/EU 2011/65/EU EN61326-1 DIN EN 50581	
ATEX	EN 50014 EN 50020	
CSA	CAN/CSA-C22.2 NO. 61010-1-12 UL 61010-1	
Hazardous Area Approvals		
Intrinsic Safety (iA)		
ATEX	PR9268/20x-x00 PR9268/30x-x00	II 1 G EEx ia IIC T6, Ta ≤ 60°C II 2 G EEx ib IIC T6, Ta ≤ 68°C II 2 G EEx ib IIC T4, Ta ≤ 108°C
	PR9268/60x-x00 PR9268/70x-x00	II 2 G EEx ib IIC T4, Ta ≤ 125°C II 2 G EEx ib IIC T3, Ta ≤ 190°C (Harting Plug 100°C max.)

Ordering Information

Model No.	/	Measurement Type XX	Cable X	-	Cable End X	0	0
PR9268		01 Omni Directional	0 3m, Armored		0 Harting Plug		
		20 Vertical	1 5m, Armored		1 Open Cab. End**		
		30 Horizontal	2 8m, Armored		9 C-5015 Plug***		
		60 Vertical HT	3 10m, Armored				
		70 Horizontal HT	4 3m, Non-Armored				
			5 5m, Non-Armored				
			6 8m, Non-Armored				
			7 10m, Non-Armored				
			8 No Cable*				

* No Cable is only available, if "Omni Directional" Sensor is chosen.

** Open Cable End is not available for "HT" versions.

*** C-5015 Plug is only available, if "No Cable" is chosen.

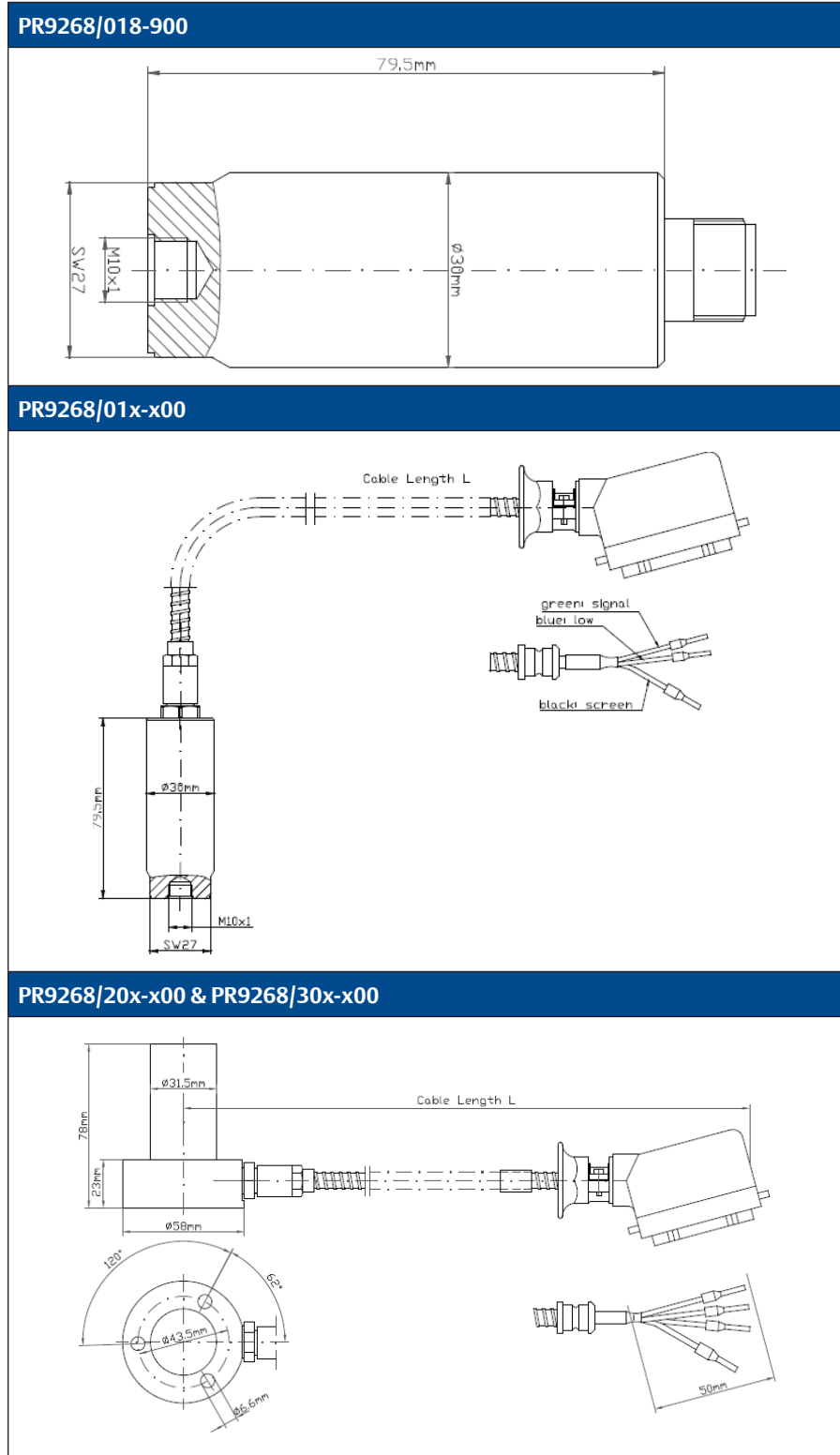
Special Versions

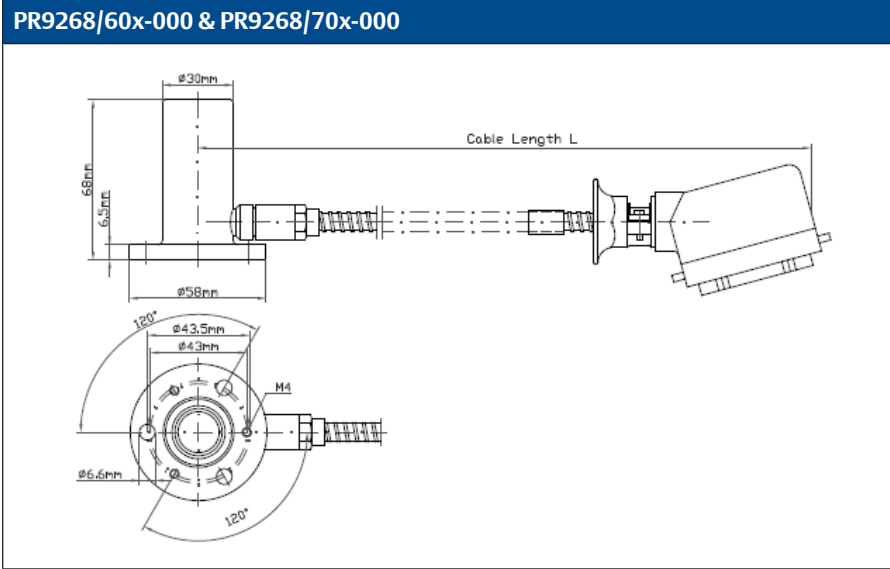
Product Description	Model Number
Cable 3x0.22mm ² (AWG 24), up to 8x10 ⁵ Gy radiation resistant	PR9268/x0x-100-RAD

Product Accessories

Product Description	Model Number
Extension Cable for PR9268/018-900 (see individual specsheet for details)	PR9670

Dimensions





Emerson
Reliability Solutions
 835 Innovation Drive
 Knoxville, TN 37932 USA
 ☎ +1 865 675 2400
 🌐 www.emerson.com/ams

©2020, Emerson. All rights reserved.

The Emerson logo is a trademark and service mark of Emerson Electric Co. The AMS logo is a mark of one of the Emerson family of companies. All other marks are the property of their respective owners.

The contents of this publication are presented for informational purposes only, and while diligent efforts were made to ensure their accuracy, they are not to be construed as warranties or guarantees, express or implied, regarding the products or services described herein or their use or applicability. All sales are governed by our terms and conditions, which are available on request. We reserve the right to modify or improve the designs or specifications of our products at any time without notice.