



**System 57**  
**5704 Control System**

---

# Total Environmental Solutions

---

Ensure that you read and understand these instructions **BEFORE** operating the equipment.

Please pay particular attention to the Safety Warnings.



## WARNINGS

The items of equipment covered by this manual are:

1. Not designed or certified for use in hazardous areas.
2. Designed for indoor use only.
3. Not to be exposed to rain or moisture.

## CAUTIONS

1. Use only approved parts and accessories with the 5704 Control System.
2. To maintain safety standards, regular maintenance, calibration and operation of the 5704 Control System by qualified personnel is essential.

## IMPORTANT NOTICES

1. Honeywell Analytics Limited can take no responsibility for installation and/or use of its equipment if this is not done in accordance with the appropriate issue and/or amendment of the manual.
2. The user of this manual should ensure that it is appropriate in all details to the exact equipment to be installed and/or operated. If in doubt, the user should contact Honeywell Analytics Limited for advice.

Honeywell Analytics Limited reserve the right to change or revise the information supplied in this document without notice and without obligation to notify any person or organisation of such revision or change.

If further details are required which do not appear in this manual, contact Honeywell Analytics Limited or one of their agents.

# MANUAL ISSUE STATUS

The following table indicates the issue status of this manual and of the individual chapters within the manual

## ISSUE 13, JANUARY 2010

| Section     | Pages        | File     | Issue |
|-------------|--------------|----------|-------|
| Front Pages | 1 to 6       | MAN0448A | 13    |
| Chapter 1   | 1-1 to 1-8   | MAN0448B | 13    |
| Chapter 2   | 2-1 to 2-26  | MAN0448C | 13    |
| Chapter 3   | 3-1 to 3-22  | MAN0448D | 13    |
| Chapter 4   | 4-1 to 4-58  | MAN0448E | 13    |
| Chapter 5   | 5-1 to 5-20  | MAN0448G | 13    |
| Chapter 6   | 6-1 to 6-12  | MAN0448H | 13    |
| Chapter 7   | 7-1 to 7-16  | MAN0448I | 13    |
| Chapter 8   | 8-1 to 8-14  | MAN0448J | 13    |
| Chapter 9   | 9-1 to 9-4   | MAN0448K | 13    |
| Chapter 10  | 10-1 to 10-6 | MAN0448L | 13    |

Since the 'Front Pages' of a manual contain the above manual issue status table these pages will always carry the overall issue status of the manual. The remaining chapter issues will reflect the latest issue of those chapters at the time of print of a manual, e.g., Issue A, B, C, etc., for chapters of provisional information and 1, 2, 3, etc., for chapters of confirmed information.

## HELP US TO HELP YOU

Every effort has been made to ensure the accuracy in the contents of our documents, however, Honeywell Analytics Limited can assume no responsibility for any errors or omissions in our documents or their consequences.

Honeywell Analytics Limited would greatly appreciate being informed of any errors or omissions that may be found in our documents. To this end we include the following form for you to photocopy, complete and return to us so that we may take the appropriate action.



---

# MANUAL CONTENTS

---

## Chapter

1. SYSTEM CONCEPT
2. SYSTEM DESCRIPTION
3. CONTROLS AND FACILITIES
4. INSTALLATION INSTRUCTIONS
5. COMMISSIONING AND MAINTENANCE INSTRUCTIONS
6. OPERATING INSTRUCTIONS
7. ENGINEER'S OPERATING INSTRUCTIONS
8. SPECIFICATION
9. ORDERING INFORMATION
10. SPECIAL CONDITIONS FOR SAFE USE ACCORDING TO  
EC-TYPE EXAMINATION CERTIFICATE BVS 04 ATEX  
G 001 X

---

# USER NOTES

---

---

# **CHAPTER 1 - SYSTEM CONCEPT**

---

## **5704 SERIES CONTROL SYSTEM CHAPTER 1 SYSTEM CONCEPT**

---

# CHAPTER 1 - SYSTEM CONCEPT

---

## CONTENTS

| Section               | Page |
|-----------------------|------|
| 1. PRINCIPAL FEATURES | 1-3  |
| 2. CONSTRUCTION       | 1-4  |

## FIGURES

| Figure                           | Page |
|----------------------------------|------|
| 1. 5704 Control System           | 1-6  |
| 2. 5704 Control System Over View | 1-7  |



---

# CHAPTER 1 - SYSTEM CONCEPT

---

## 1. PRINCIPAL FEATURES

The 5704 Series Control System is part of the System 57 family and is designed to monitor field mounted industrial gas detectors. The principal features of the system are:

- \* Provides up to 64 channels of gas detection in a standard 19" sub-rack using a 3U card format.
- \* Provides up to 32 channels of gas detection in a half 19" sub-rack using a 3U card format.
- \* Racking available for both front and rear access field wiring.
- \* Simple field connections for wire up to 2.5mm<sup>2</sup> (14 AWG).
- \* Four channels per one inch wide card.
- \* Control cards removable without disturbing other wiring.
- \* Catalytic bridge or 4 - 20mA input control card versions.
- \* Alarm change-over relay output options.
- \* Optional time delayed operation of alarm relays.
- \* Multi-alarm mode for master, zoned and voted alarms.
- \* Rising, falling, STEL, LTEL and update alarm outputs.
- \* Remote inhibit and reset inputs per card.
- \* Optional 0 - 20mA or 4 - 20mA isolated monitor outputs per channel.
- \* Easy to calibrate and operate using a dedicated Engineering Card.
- \* EMC compliant.

---

# CHAPTER 1 - SYSTEM CONCEPT

---

## 2. CONSTRUCTION

The system consists of individual 1" (2.54cm) wide cards fitted to a rigid custom rack designed to fit Euro rack cabinets. Two rack widths are available:

- a. 19 inch with 17 card slots to house up to 16 Four Channel Control Cards and an Engineering Card.
- b. Half 19 inch with nine card slots to house up to eight Four Channel Control Cards and an Engineering Card.

Each sub-rack contains an Engineering Card and a DC Input Card to make up the rack system

The system is designed to meet the differing customer wiring configurations and to achieve this the control functions are split away from the relays and field wiring connections. Four channels of gas detection therefore consists of:

- a. Four Channel Control Card

Each Four Channel Control Card functions independently and contains all the necessary electronic circuitry to provide the sensor drive, alarm detection and gas level display for four channels of gas detection.

There are two types of Four Channel Control Cards, one for catalytic inputs and the other for 4 - 20mA inputs.

- b. Quad Relay Interface Card

The Quad Relay Interface Card provides the interface connections between the Control Card and the respective field connected gas sensors. In addition, it provides four alarm outputs via the field connections.

- c. Relay Interface Assembly

Where additional relay contacts are required, an Expansion Relay Card is attached to the Quad Relay Interface Card. The new assembly becomes the Relay Interface Assembly and expands the alarm relays to 16. This combination occupies two interface card slots and as a consequence limits the number of control cards that can be fitted to the rack.

---

# CHAPTER 1 - SYSTEM CONCEPT

---

In a system where the field wiring is required to be connected to the rear of the system, the rack is centrally divided into front and rear sections by a printed circuit board backplane which provides common signal routing between individual Four Channel Control Cards. The control cards are fitted at the front of the rack while Quad Relay Interface Cards are fitted directly behind the associated Four Channel Control Card at the rear of the rack. The control cards and their respective interface cards are interconnected by a plug and socket arrangement.

In a system where the field wiring is required to be connected to the front of a system, the Four Channel Control Cards and Quad Relay Interface Cards are mounted one above the other in a 6U rack. The backplane printed circuit board still provides the common signal routing between the individual Four Channel Control Cards, but short cables at the rear of the cards connect each control card to their respective Quad Relay Interface Card.

Simple calibration and checking of the system is carried out using push buttons on the Engineering Card fitted in each rack. More complex configuration can be carried out using the RS232 link between the Engineering Card and an external IBM compatible personal computer running the engineering interface software.

When a Relay Interface Assembly is used, the resultant four channel control assembly then takes up two card slots.

A mixture of 5704 and 5701 Control Cards may be fitted in the same System 57 rack.

The 5704 Control System is shown in Figure 1.

# CHAPTER 1 - SYSTEM CONCEPT

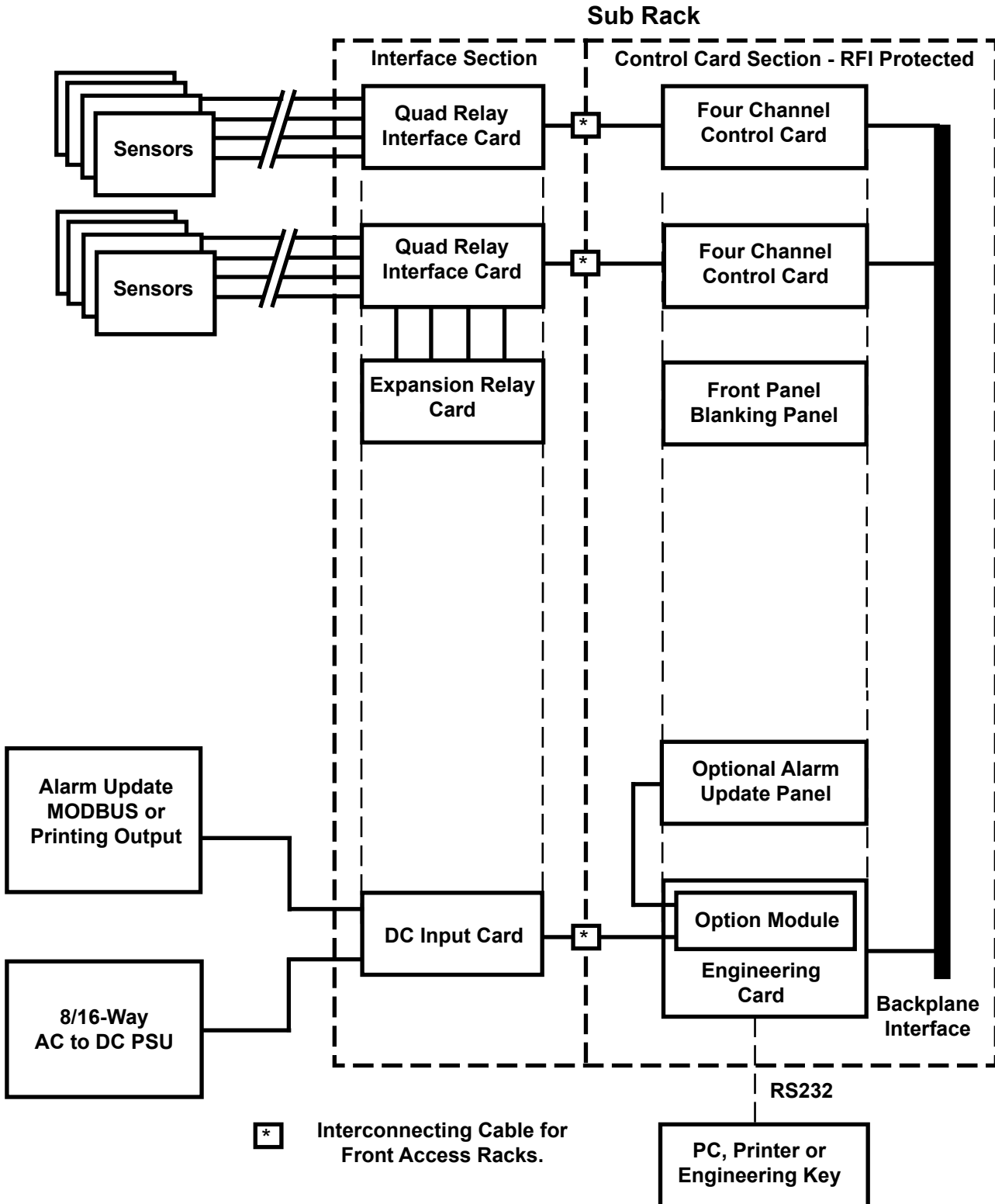


Figure 1 5704 Control System

# CHAPTER 1 - SYSTEM CONCEPT

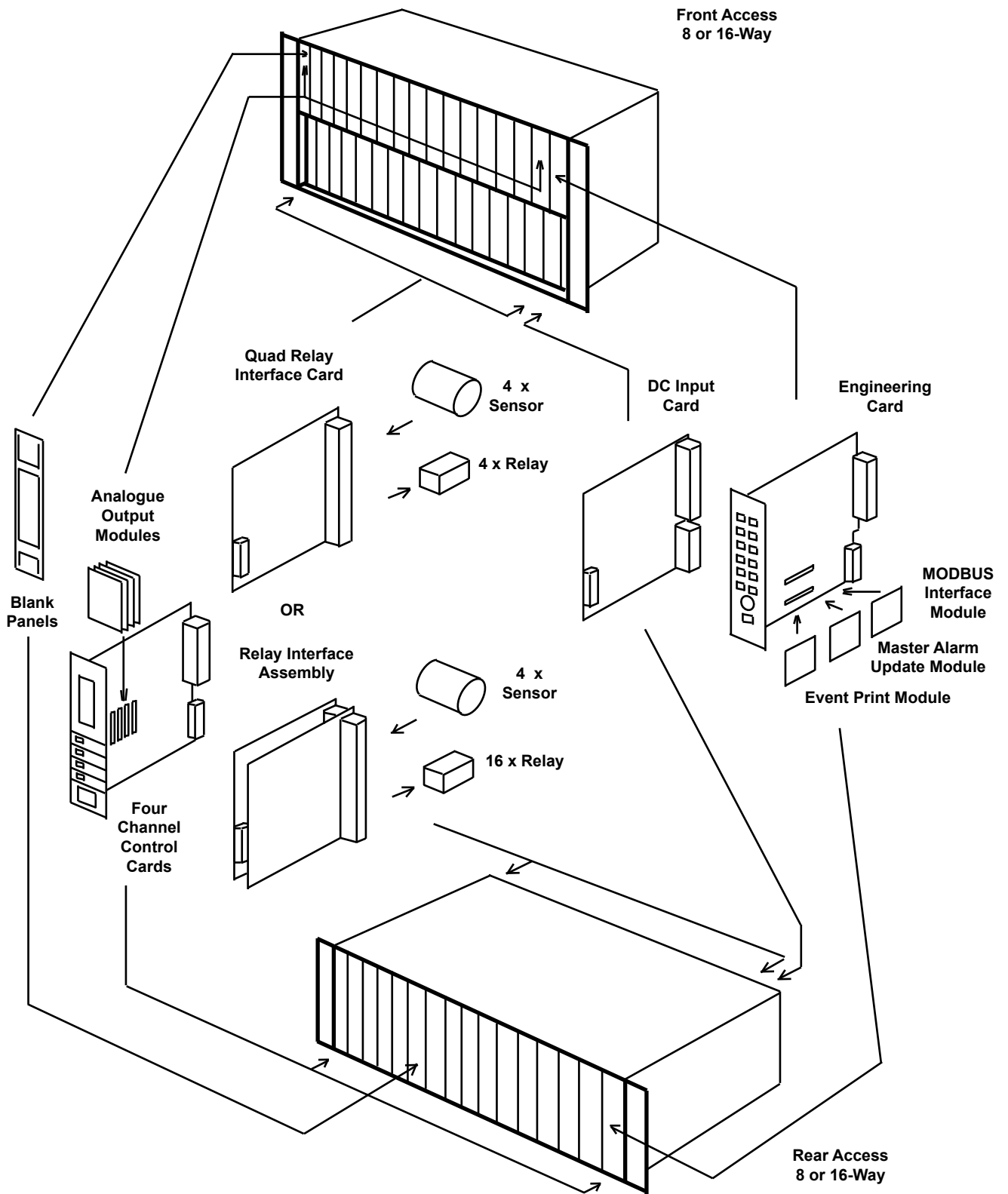


Figure 2 5704 Control System Over View

---

# USER NOTES

---

---

# **CHAPTER 2 - SYSTEM DESCRIPTION**

---

## **5704 SERIES CONTROL SYSTEM CHAPTER 2 SYSTEM DESCRIPTION**

---

# CHAPTER 2 - SYSTEM DESCRIPTION

---

## CONTENTS

| Section   | Page |
|---|------|
| 1. INTRODUCTION   | 2-3  |
| 2. RACKS  | 2-4  |
| 3. CABINETS   | 2-6  |
| 4. FOUR CHANNEL CONTROL CARDS                             | 2-8  |
| 4.1 General   | 2-8  |
| 4.2 Control Functions                                     | 2-9  |
| 4.3 Analogue Output Module                                | 2-9  |
| 4.4 Physical Layout                                       | 2-10 |
| 5. QUAD RELAY INTERFACE CARD AND RELAY INTERFACE ASSEMBLY | 2-11 |
| 5.1 General   | 2-11 |
| 5.2 Quad Relay Interface Card                             | 2-11 |
| 5.3 Relay Interface Assembly                              | 2-14 |
| 5.4 Expansion Relay Card                                  | 2-17 |
| 6. ENGINEERING CARD                                       | 2-18 |
| 7. DC INPUT CARD  | 2-19 |
| 7.1 General   | 2-20 |
| 7.2 DC Input Card Rear Access Connections                 | 2-21 |
| 7.3 DC Input Card Front Access Connections                | 2-22 |
| 8. AC TO DC POWER SUPPLY UNITS                            | 2-23 |
| 8.1 Types of Power Supply Unit                            | 2-23 |
| 8.2 Power Supply Unit Upgrades                            | 2-23 |
| 8.3 Power Supply Connections                              | 2-23 |
| 8.4 8-Way AC to DC Power Supply Unit Layout               | 2-24 |
| 8.5 16-Way AC to DC Power Supply Unit Layout              | 2-24 |
| 8.6 50W Sub-Unit Layout                                   | 2-25 |
| 8.7 100W Sub-Unit Layout                                  | 2-25 |
| 9. FRONT PANEL BLANKING PANEL                             | 2-26 |



---

# CHAPTER 2 - SYSTEM DESCRIPTION

---

## 1. INTRODUCTION

The 5704 Series Control System is a microprocessor based system which displays the reading and status of connected gas detectors. The system provides complex alarm handling facilities with a full maintenance capability.

A rack system is fitted with a number of Four Channel Control Cards each with an associated Quad Relay Interface Card which provides the necessary sensor input and optional relay output connections. A Relay Interface Assembly may be used to expand the number of relay outputs available for each of the Four Channel Control Cards. Simple alarm handling and operation is provided by each channel control card.

Complex alarm handling is achieved by communication between a specified number of control cards via the backplane of the rack.

An Engineering Card is fitted to each rack and provides control of the rack backplane communications, control card interrogation and facilitates maintenance.

In small systems power supplies, auxiliary power supplies and battery back up systems can be connected to the rack via a DC Input Card. In heavily populated installations of more than eight Four Channel **Catalytic** Control Cards, power supplies are connected to each individual Four Channel **Catalytic** Control Card via its interface card.

# CHAPTER 2 - SYSTEM DESCRIPTION

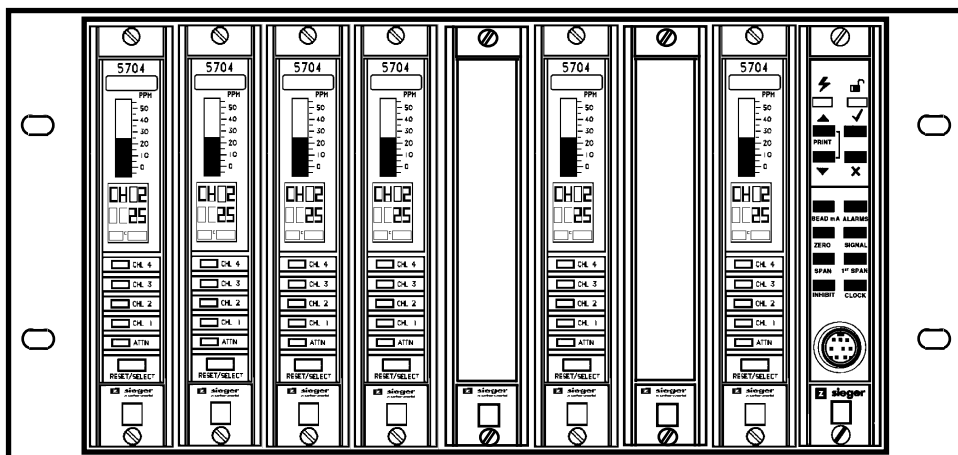
## 2. RACKS

Each rack assembly contains a sub-rack, Engineering Card, DC Input Card, key kit and where necessary an interconnecting cable.

Dependent upon configuration, the control system is housed in one of four standard size sub-racks as follows:

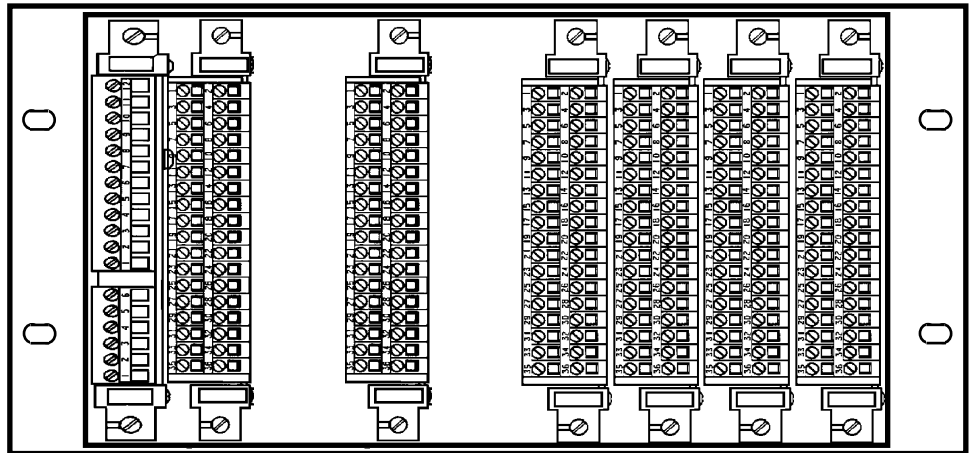
- a. Full 19 inch wide by 3U high - Part Number 05701-A-0511, for rear field wiring connections.
- b. Full 19 inch wide by 6U high - Part Number 05701-A-0501, for front field wiring connections.
- c. Half 19 inch wide by 3U high - Part Number 05701-A-0512, for rear field wiring connections.
- d. Half 19 inch wide by 6U high - Part Number 05701-A-0502, for front field wiring connections.

All four versions have two separate chambers. One is sealed against electromagnetic interference and contains the control cards while the other chamber contains the relay interface cards. A backplane between the two chambers provides a path for signal routing between individual control cards and the Engineering Card.

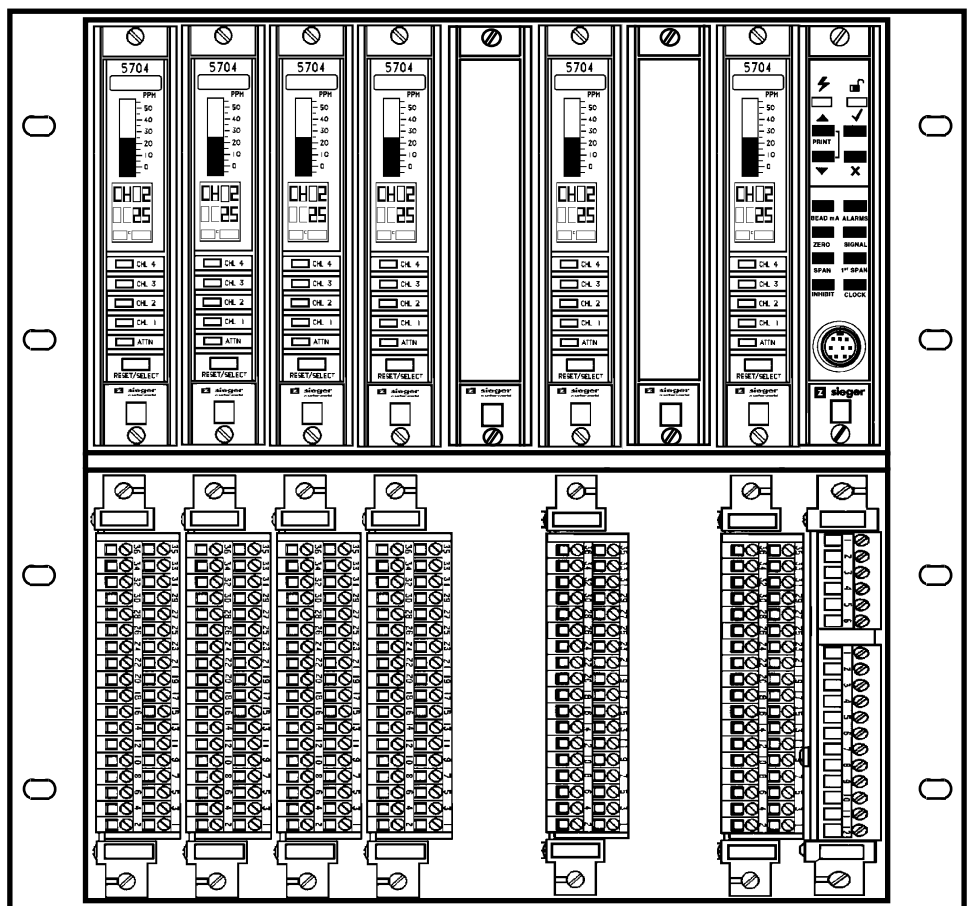


Typical Eight Card Rear Access Rack - Front View

# CHAPTER 2 - SYSTEM DESCRIPTION



Typical Eight Card Rear Access Rack - Rear View



Typical Eight Card Front Access Rack  
(Relay/Interface Chamber Front Cover Removed)

---

## CHAPTER 2 - SYSTEM DESCRIPTION

---

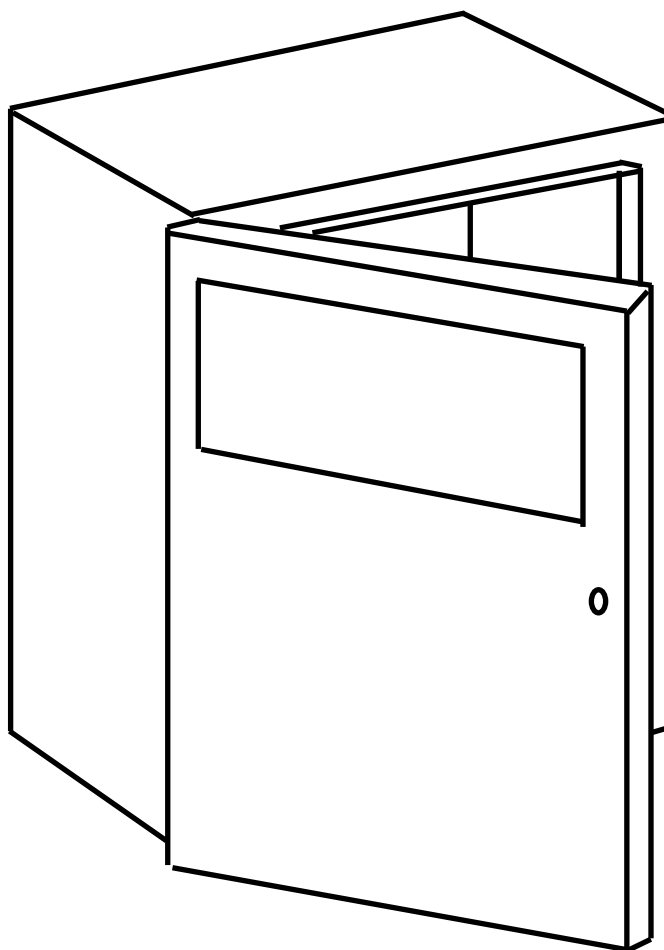
### 3. CABINETS

Two wall mounted cabinets are used to house:

- a. the full width 16 card front access rack,  
(Part Number 05701-A-0451)
- b. or the eight card half width front access rack.  
(Part Number 05701-A-0452)

A front door on each cabinet provides security and dust protection, while a clear panel in the door allows the channel card displays to be viewed when the door is closed. The base of each cabinet contains a selection of preformed knockout cable gland entries. A removable plate is fixed to the inside of the cabinet for mounting accessories.

#### Cabinet



# CHAPTER 2 - SYSTEM DESCRIPTION

## Eight Card Cabinet Installation

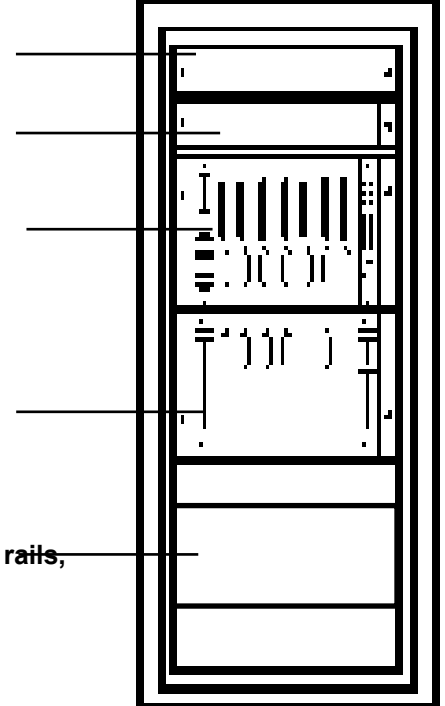
Blanking Panel

8-Way AC to DC Power Supply Unit

Control Cards and Engineering Card

Interface/Relay Cards and DC Input Card

Accessory Plate suitable for mounting DIN rails,  
circuit breakers, relays, etc.



## 16 Card Cabinet Installation

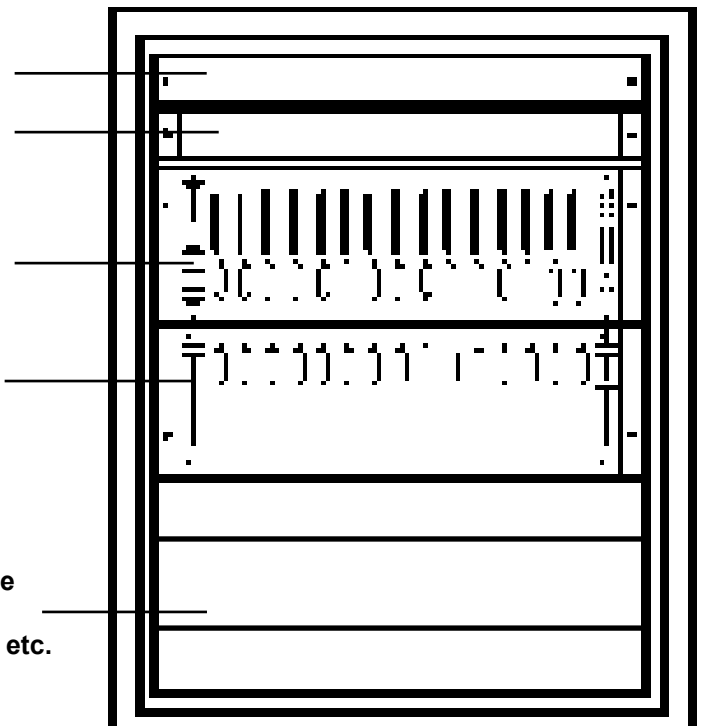
Blanking Panel

16-Way AC to DC  
Power Supply Unit

Control Cards  
and Engineering Card

Interface/Relay Cards  
and DC input Card

Accessory Plate suitable  
for mounting DIN rails,  
circuit breakers, relays, etc.



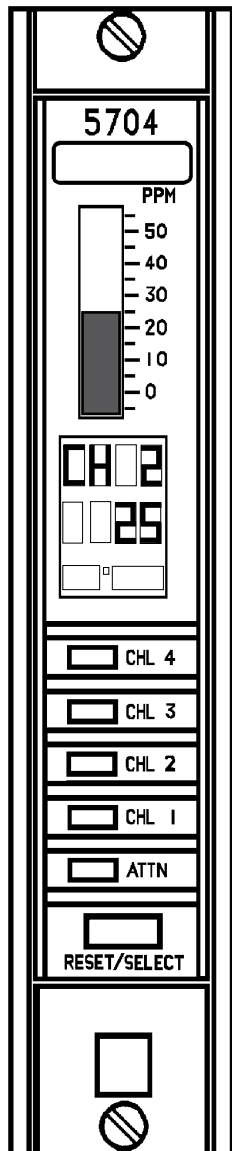
---

# CHAPTER 2 - SYSTEM DESCRIPTION

---

## 4. FOUR CHANNEL CONTROL CARDS

### 4.1 General



The 5704 Four Channel Control Card provides control, display and alarm facilities for up to four connected gas detectors. The front panel backlit display indicates the gas reading, channel status and channel number while LEDs are used for alarms. A push-button is provided for resetting the alarms and selecting the card for use with the Engineering Card.

The operation of the control card is microprocessor controlled and is fully definable for a wide range of connected gas detectors and application requirements. The software configuration setup is stored in an EEPROM.

There are two types of control card depending on the type of gas detector being fitted to the system:

- a. Four Channel Control Card Catalytic Input  
Part Number 05704-A-0144.
- b. Four Channel Control Card 4 - 20mA Input  
Part Number 05704-A-0145.

Optional Analogue Output Modules which provide a remote output of the channel card readings can be plugged into the Four Channel Control Card. One module is required per channel and different module types are available to permit either current source or current sink as required.

---

# CHAPTER 2 - SYSTEM DESCRIPTION

---

## 4.2 Control Functions

The Four Channel Control Card carries out the control functions for up to four loops of gas detection as follows:

- a. Provides the necessary voltages and currents to drive the connected sensors.
- b. Processes the incoming sensor signals.
- c. Displays the signal levels, one at a time, on the front panel liquid crystal display.
- d. Compares each channel signal level with pre-defined alarm limits.
- e. When the pre-defined alarm limits are exceeded, raises the alarms by lighting up front panel LEDs and operating connected relays.
- f. Informs other cards with the alarm status information.
- g. Self validates the operation of its circuit components, software operation and the condition of the sensor.

## 4.3 Analogue Output Module

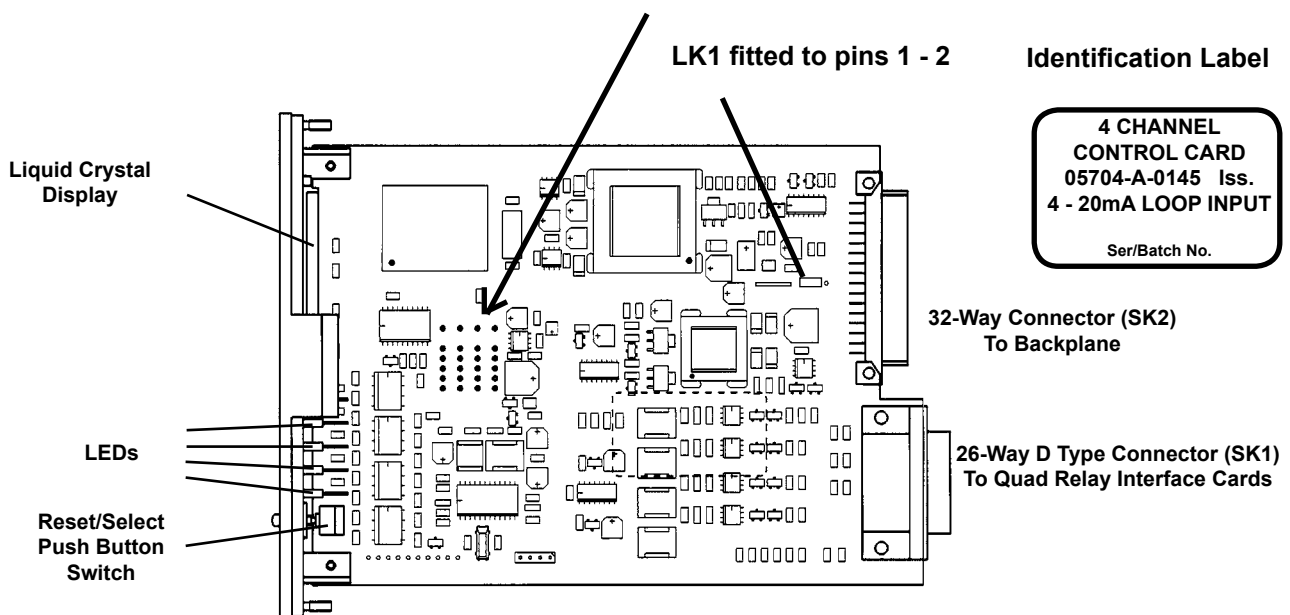
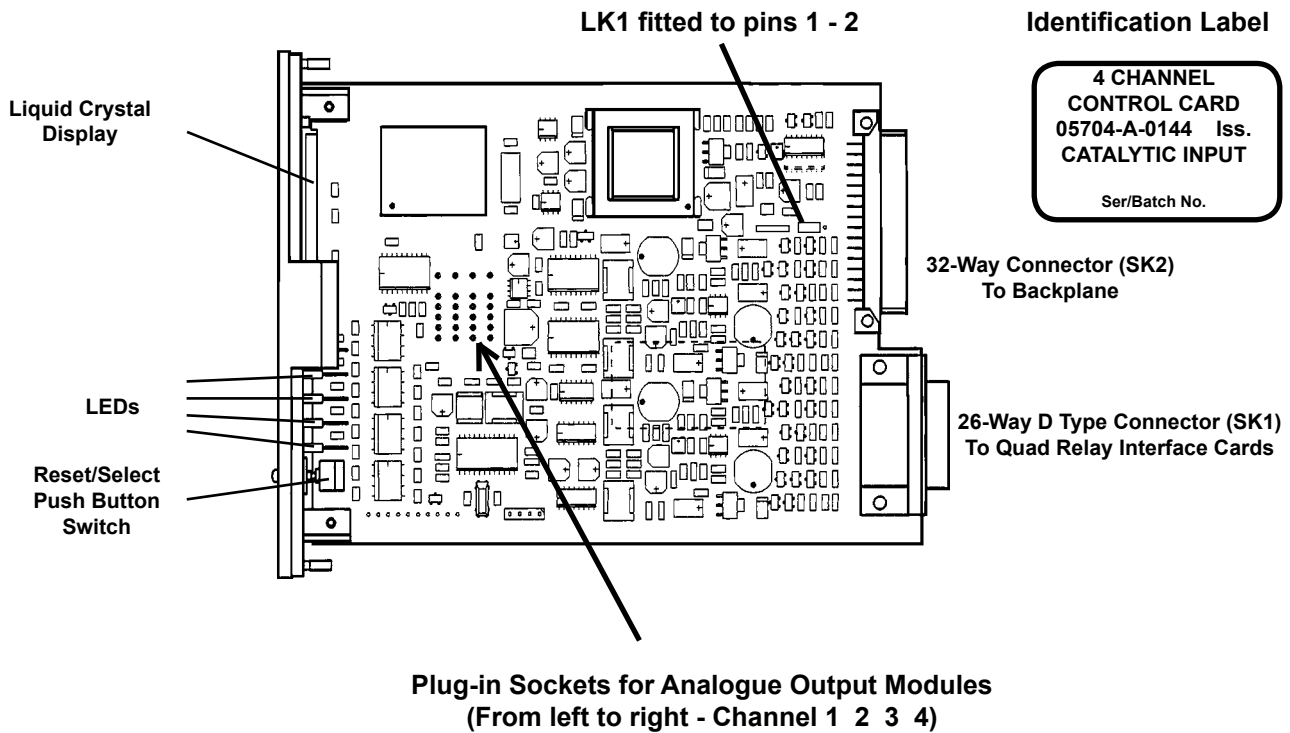
Optional Analogue Output Modules may be factory fitted to the Four Channel Control Card and are used on each channel of gas detection to provide a current loop output which follows the sensor signal level. This may be set electronically to produce a 0 - 20mA output or a 4 - 20mA output and can be used to operate a chart recorder, data logger, PLC, etc. Two versions are available:

- a. Analogue Output Module, Current Sink  
Part Number 04200-A-0145
- b. Analogue Output Module, Current Source  
Part Number 04200-A-0146

# CHAPTER 2 - SYSTEM DESCRIPTION

## 4.4 Physical Layout

The physical layout of the Four Channel Control Card is shown below. Analogue Output Modules, when fitted, plug into channel sockets as shown:





# CHAPTER 2 - SYSTEM DESCRIPTION

## 5. QUAD RELAY INTERFACE CARD AND RELAY INTERFACE ASSEMBLY

### 5.1 General

The Quad Relay Interface Card provides the interface between a Four Channel Control Card and the field wiring.

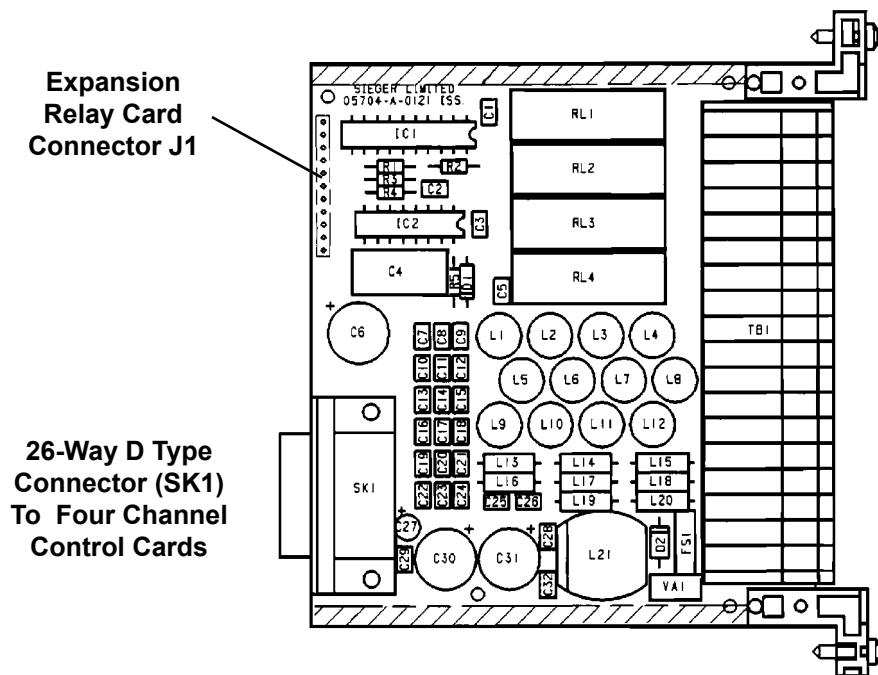
An Expansion Relay Card can also be factory fitted to the Quad Relay Interface Card and the resultant assembly is then known as the Relay Interface Assembly. This assembly is used to expand the standard four relays available for alarms on the Quad Relay Interface to 16 relays.

### 5.2 Quad Relay Interface Card (Part Number 05704-A-0121)

#### 5.2.1 General

Provides connections between the four sensors and the control card. In addition, four single pole relays provide voltage free contact outputs that can be configured for the A1 alarm level, A2 alarm level, A3 alarm level, fault or inhibit conditions and as individual alarms or master alarms. Connections for power, remote inputs and analogue outputs are also provided.

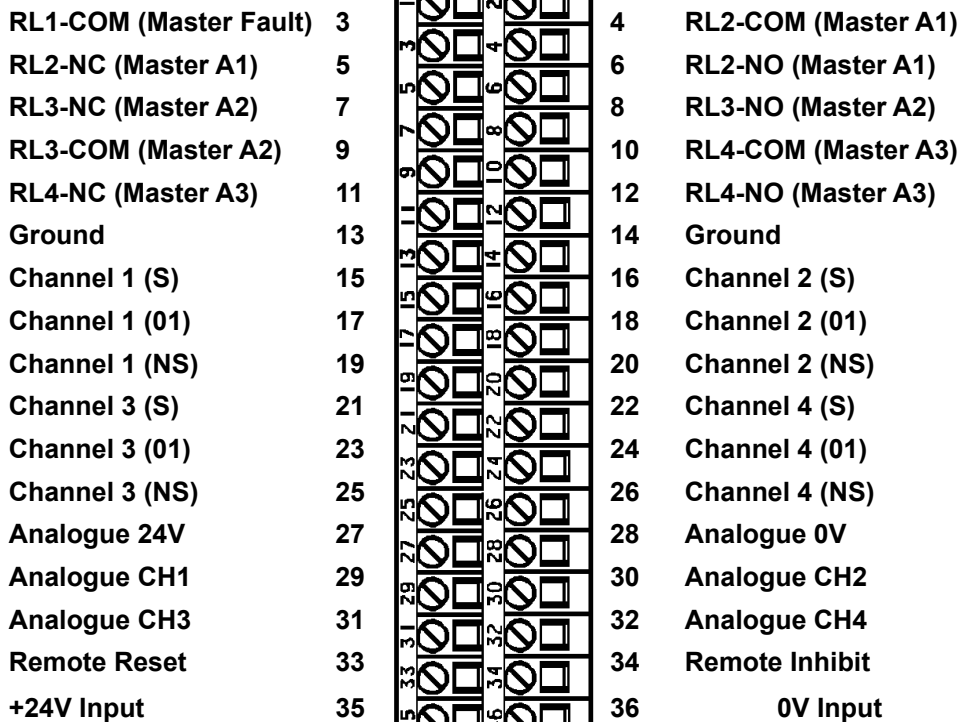
The front and rear access connections are shown in Sections 5.2.2 and 5.2.3 respectively while the physical layout is shown below:



# CHAPTER 2 - SYSTEM DESCRIPTION

## 5.2.2 Quad Relay Card Rear Access Connections

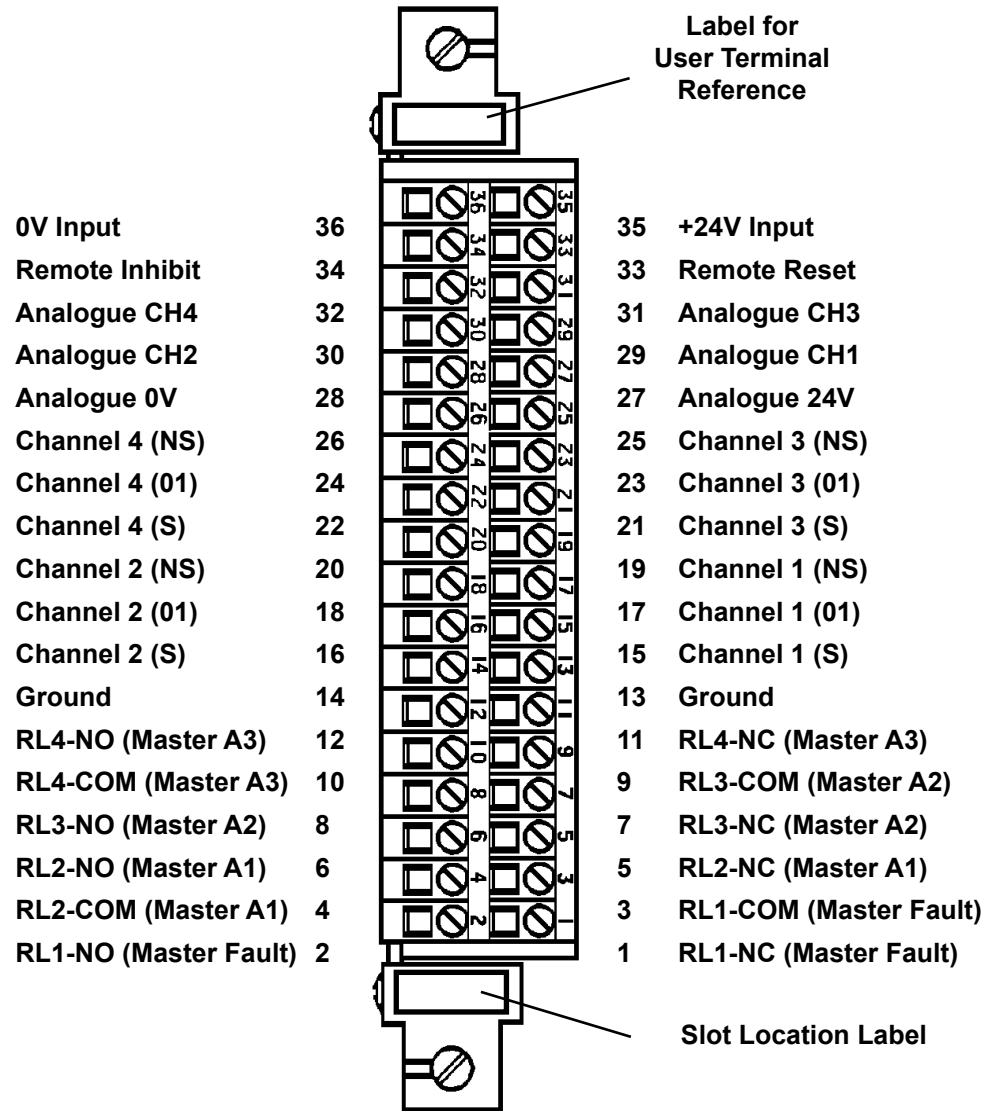
RL1-NC (Master Fault) 1 2 RL1-NO (Master Fault)



1. NC = Normally Closed. NO = Normally Open. COM = Common.
2. Relay contact conditions refer to the no power state of the relay.
3. The functions shown for terminals 1 to 12 are the default functions for relays RL1 to RL4 only. For other configurations - refer to the configuration printout.

# CHAPTER 2 - SYSTEM DESCRIPTION

## 5.2.3 Quad Relay Card Front Access Connections



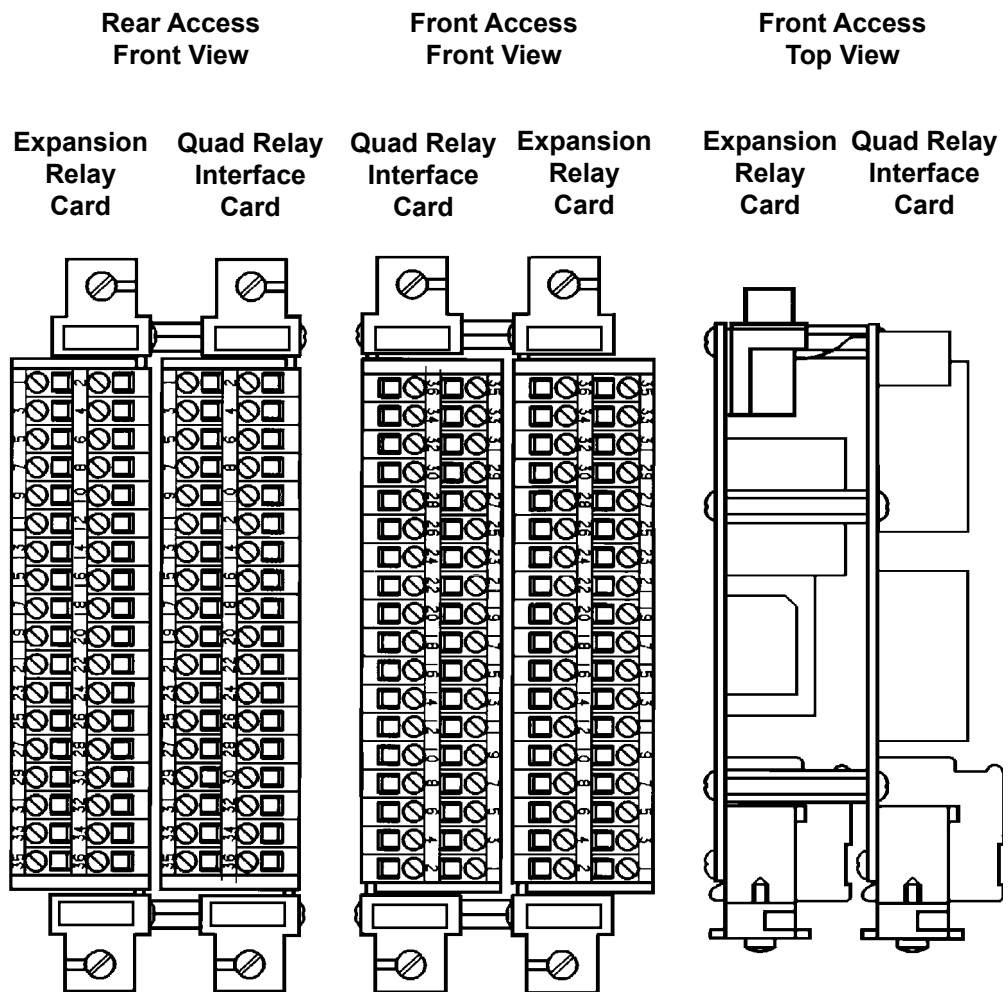
1. NC = Normally Closed. NO = Normally Open. COM = Common.
2. Relay contact conditions refer to the no power state of the relay.
3. The functions shown for terminals 1 to 12 are the default functions for relays RL1 to RL4 only. For other configurations - refer to the configuration printout.

# CHAPTER 2 - SYSTEM DESCRIPTION

## 5.3 Relay Interface Assembly (Part Number 05704-A-0131)

### 5.3.1 General

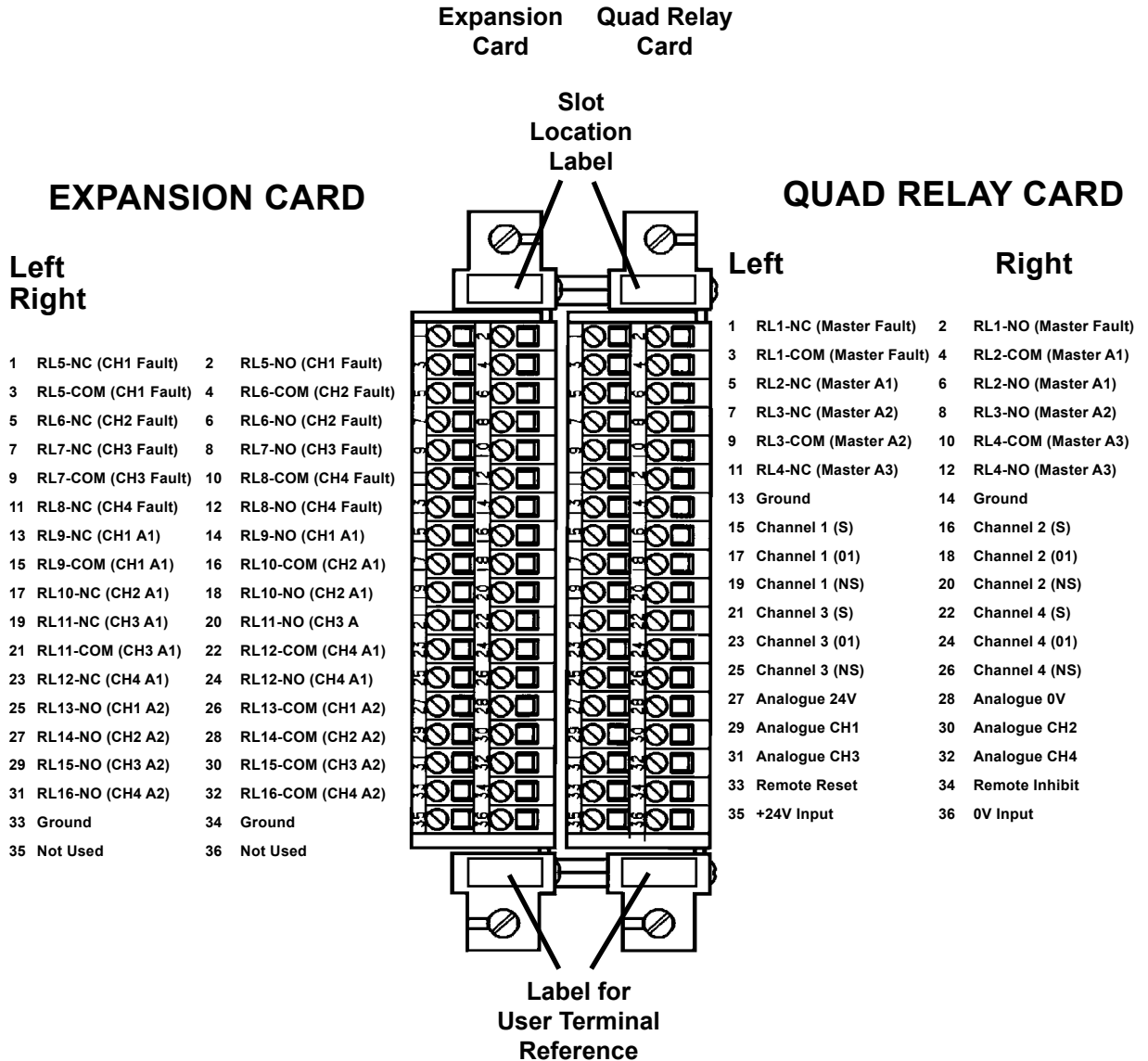
The following diagrams show the Expansion Relay Card fitted to the Quad Interface Relay Card to form a Relay Interface Assembly:



1. For details of the Quad Interface Card, see Section 5.2.
2. For details of the Expansion Relay Card, see Sections 5.4.

# CHAPTER 2 - SYSTEM DESCRIPTION

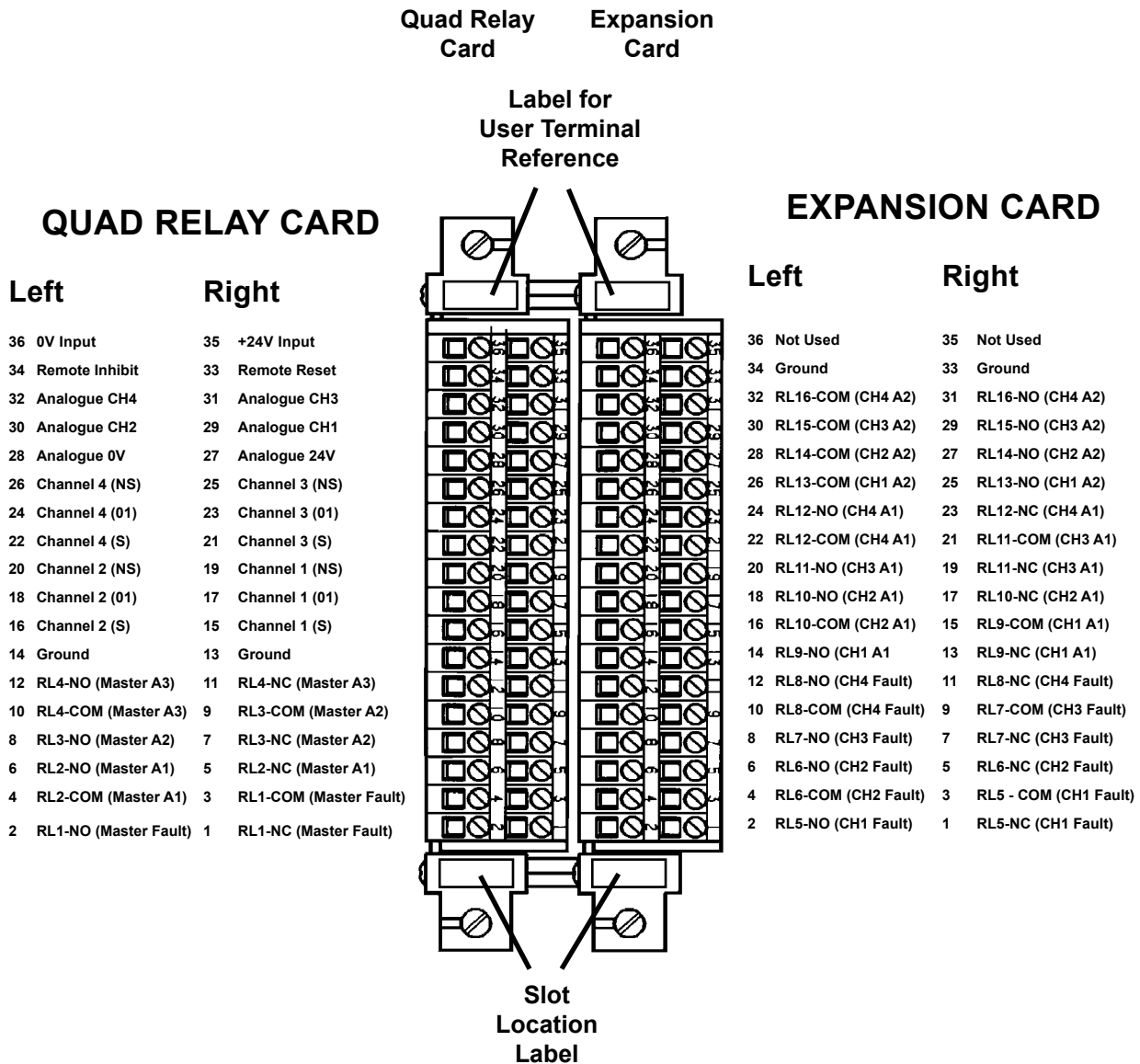
## 5.3.2 Relay Interface Assembly Rear Access Connections



1. NC = Normally Closed. NO = Normally Open. COM = Common.
2. Relay contact conditions refer to the no power state of the relay.

# CHAPTER 2 - SYSTEM DESCRIPTION

## 5.3.3 Relay Interface Assembly Front Access Connections



1. NC = Normally Closed. NO = Normally Open. COM = Common.
2. Relay contact conditions refer to the no power state of the relay.

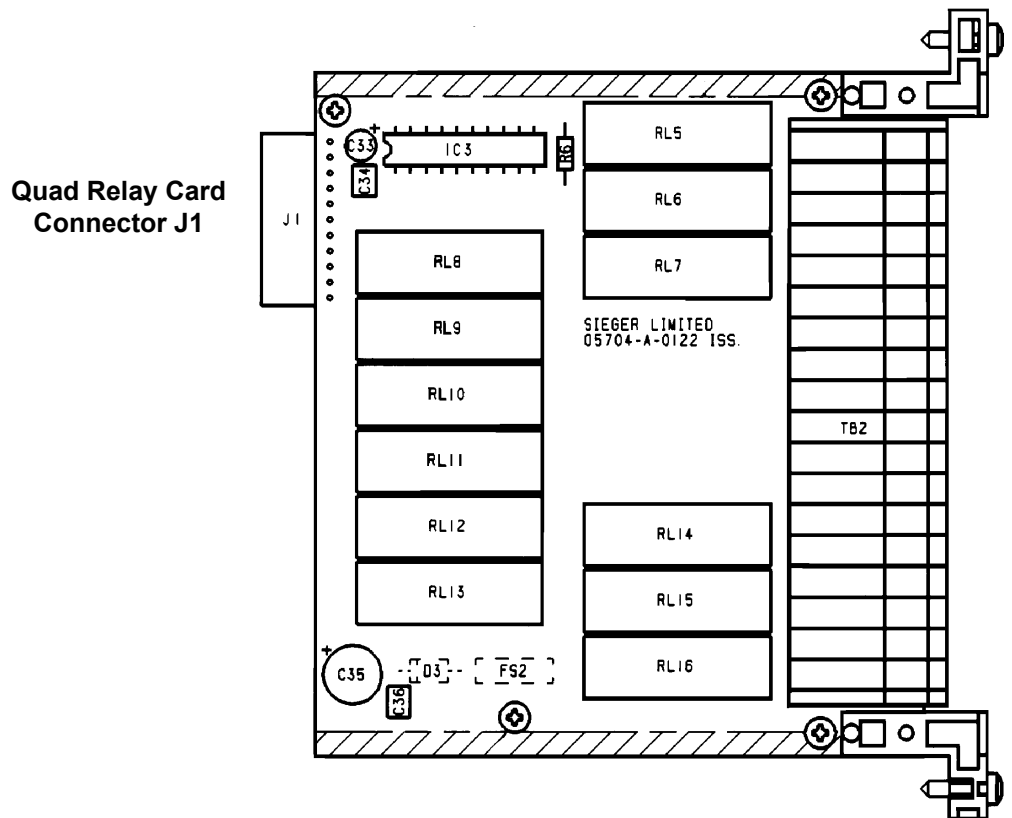
# CHAPTER 2 - SYSTEM DESCRIPTION

## 5.4 Expansion Relay Card

The Expansion Relay Card provides relay expansion for a Four Channel Control Card and the Quad Relay Interface Card. The Expansion Relay Card is connected to the Quad Relay Interface Card and provides 12 additional relays, eight of which are single pole changeover and four are single pole single throw. The relays can be configured for A1, A2, A3, fault or inhibit alarms and as individual or master outputs.

When the Expansion Relay Card is connected to the Quad Relay Interface Card, the pair of cards take up two slots of the rack. For this reason a blank panel has to be fitted to the rack front panel adjacent to the associated Four Channel Control Card.

The front and rear access connections are shown in Sections 5.3.2 and 5.3.3 respectively while the physical layout is shown below:



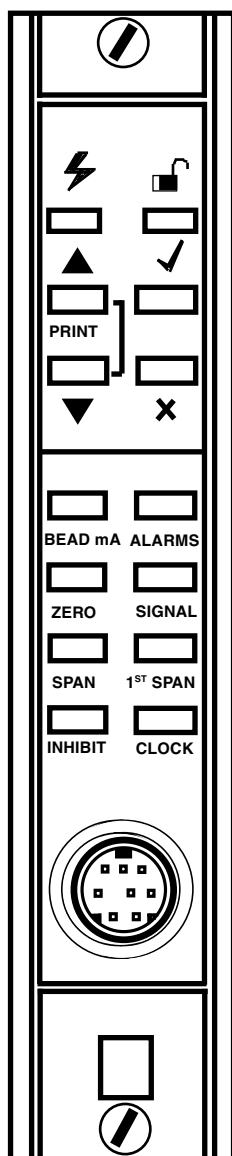
# CHAPTER 2 - SYSTEM DESCRIPTION

## 6. ENGINEERING CARD PART NUMBER (05701-A-0361)

The Engineering Card is used on a System 57 rack to provide a common interface that enables the user to perform all the required functions to commission and operate each fitted control card.

The front panel is fitted with a series of tactile push-buttons for the operation of various functions, LEDs to provide rack power and communications status and a mini DIN socket for the connection of a serial printer, computer or an engineering key. The Engineering Key is used to unlock functions that can alter the operation of a control card.

The Engineering Card is always fitted into the right-hand slot of the rack and provides:



- a. Routing of the 24V dc input from the DC Input Card to the backplane of the rack.
- b. A backplane serial communications controller and monitor.
- c. A time and date reference.
- d. An RS232 external engineering interface.
- e. Depending upon the security level, the operation of the following rack facilities:
  - Catalytic sensor head current monitoring and adjustment.
  - Alarm set point checking, adjustment and testing.
  - Sensor signal zero adjustment.
  - Sensor signal span adjustment and setting of sensor life monitoring values.
  - Sensor line monitoring.
  - Enabling of control card alarm inhibit.
  - Checking and adjustment of the system clock.
- f. Self validation of the operation of its circuit components, software operation and the backplane communications.
- g. A socket for the addition of special modules that expand the System 57 capabilities.



---

## CHAPTER 2 - SYSTEM DESCRIPTION

---

One of four optional modules may be fitted to the Engineering Card:

a. Master Alarm Update Module

This facility provides an indication when a new alarm occurs on any channel in the rack, even if a previous alarm condition already exists.

b. Event Printing Module

This facility provides time stamped reporting of alarm and fault events as they occur and system status at predetermined regular intervals.

c. Modbus Interface Module RS422/485

This facility provides for digital communication between the System 57 Control System and an external computer system using the RS422/485 serial data format and the Modbus communication protocol.

d. Modbus Interface Module RS232

This facility provides for digital communication between the System 57 Control System and an external computer system using the RS232 serial data format and the Modbus communication protocol.

---

# CHAPTER 2 - SYSTEM DESCRIPTION

---

## 7. DC INPUT CARD (PART NUMBER 05701-A-0325)

### 7.1 General

The dc power to the rack can enter the sub-rack via the DC Input Card. This power may be supplied by the user from an external nominal 24V dc supply. The dc supply is routed through the Engineering Card and sub-rack back plane to all cards in the rack and is protected by a fuse on the DC Input Card. There is a two part terminal block, TB1, to aid removal of the card without disconnecting each of the connected wires.

To prevent excessive current flow along the rack backplane in installations where more than eight 5704 Catalytic Cards are used, it is recommended that the Control Cards are powered via their associated Quad Relay Interface Card and the DC Input Card used to power the Engineering Card only.

If required, a stand-by backup battery supply may also be connected to the auxiliary dc input connections.

The PSU and AUX connections are isolated from each other by diodes.

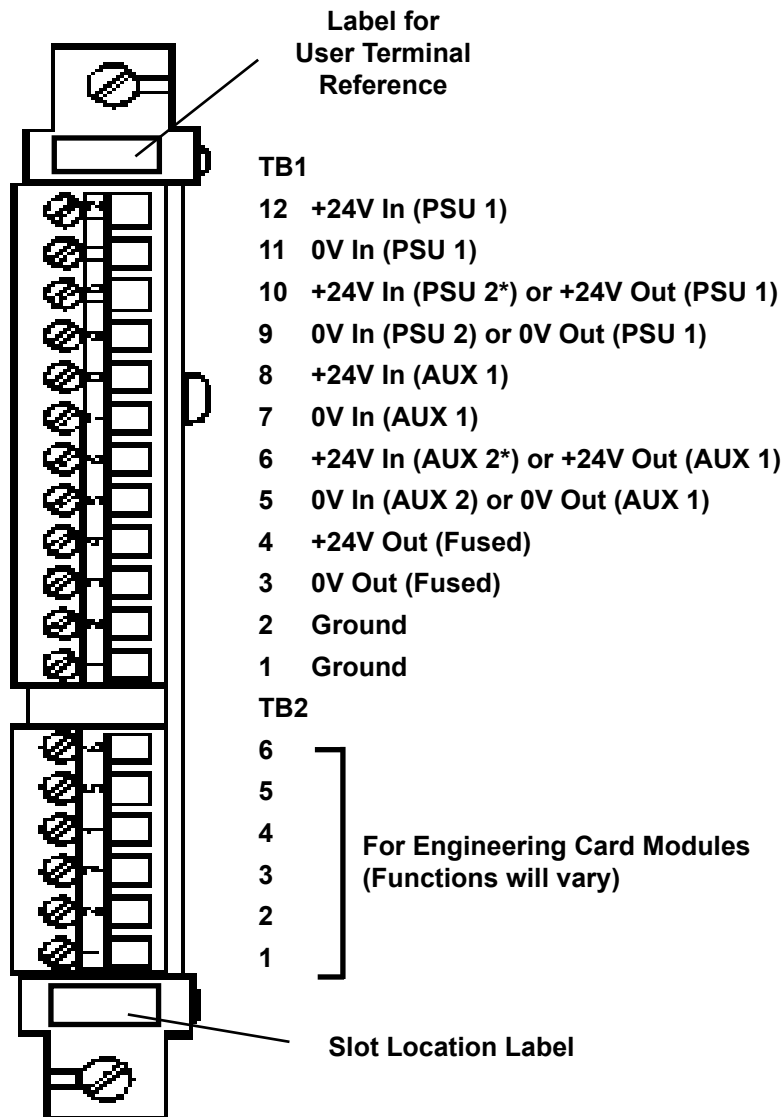
The DC Input Card also provides RFI filtering and reverse polarity protection.

In addition, the DC Input Card provides an interface to the Engineering Card plug-in modules via TB2. The functions of the six terminals will vary dependent upon the module fitted. For full details refer to:

- a. 05701-M-5006      System 57 Control System  
Modbus Interface Option RS485/422
- b. 05701-M-5007      System 57 Control System  
Event Printing Option RS232
- c. 05701-M-5009      System 57 Control System  
Alarm Update Option

# CHAPTER 2 - SYSTEM DESCRIPTION

## 7.2 DC Input Card Rear Access Connections



\* PSU 1 and PSU 2 (and AUX 1 and AUX 2) must be compatible with parallel connection.

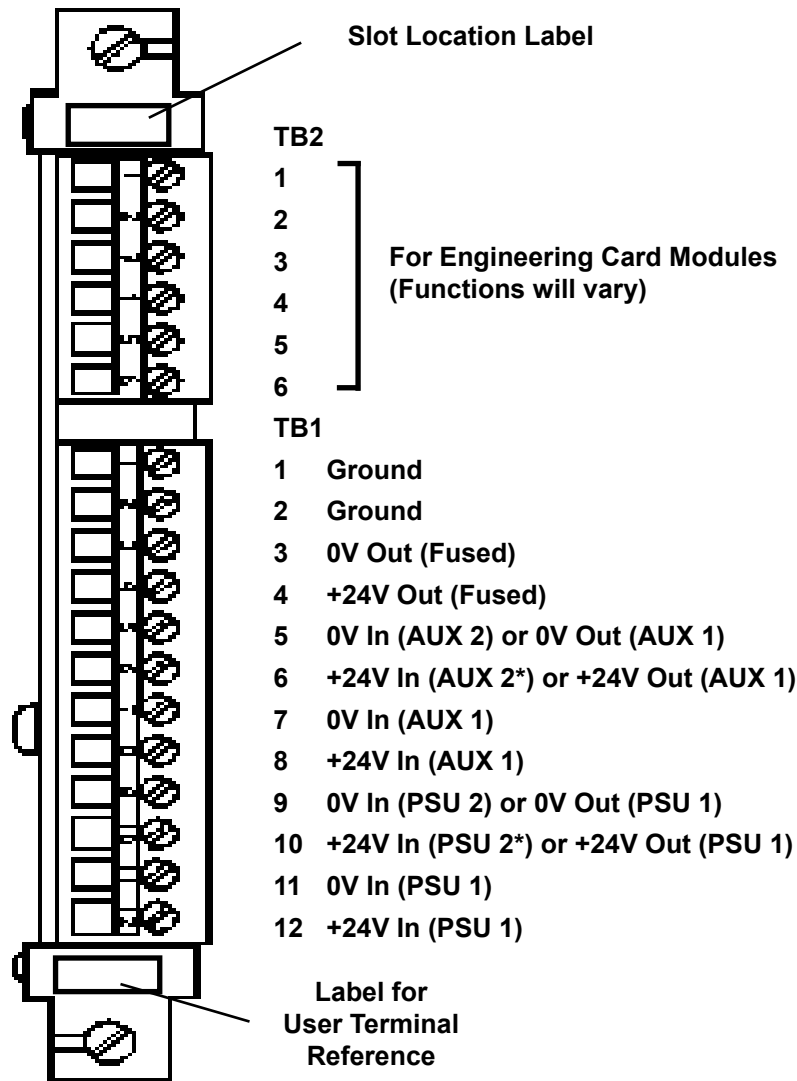
*Note: For 5704 systems with more than eight catalytic control cards, it is recommended that the dc power is connected direct to each channels' Quad Relay Card.*

---

# CHAPTER 2 - SYSTEM DESCRIPTION

---

## 7.3 DC Input Card Front Access Connections



\* PSU 1 and PSU 2 (and AUX 1 and AUX 2) must be compatible with parallel connection.

*Note: For 5704 systems with more than eight catalytic control cards, it is recommended that the dc power is connected direct to each channels' Quad Relay Card.*

---

# CHAPTER 2 - SYSTEM DESCRIPTION

---

## 8. AC TO DC POWER SUPPLY UNITS

### 8.1 Types of Power Supply Unit

There are two types of AC to DC power supply units:

a. 8-Way AC to DC Power Supply Unit (Part Number 05701-A-0406)

A 1U high half width 19 inch rack mounted unit that contains a single 50W Switched Mode AC to DC Power Supply Module.

b. 16-Way AC to DC Power Supply Unit (Part Number 05701-A-0405)

A 1U high 19 inch rack mounted unit that contains a single 50W Switched Mode AC to DC Power Supply Module.

Both power supply units will operate from an 85V to 264V, 47Hz to 440Hz ac supply, or a 110V to 340V dc supply (Refer to Zellweger Analytics for information on dc supplies).

### 8.2 Power Supply Unit Upgrades

Both power supply units are provided with internal connections to enable a power upgrade to 100W by the addition of a second 50W Switched Mode AC to DC Power Supply Module (Part Number 05701-A-0440).

A second sub-unit (Part Number 05701-A-0441) can be fitted to the basic 16-way power supply unit if more than 100W is required to operate the system. The additional sub-unit will contain a 50W Switched Mode AC to DC Power Supply Module as standard and will therefore give an additional 50W of available power. If required a further 50W Switched Mode AC to DC Power Supply Module (Part Number 05701-A-0440) can be added to this second sub-unit to bring the power availability up to 200W.

The switched mode power supply modules used are fully overload protected and are designed to be connected together.

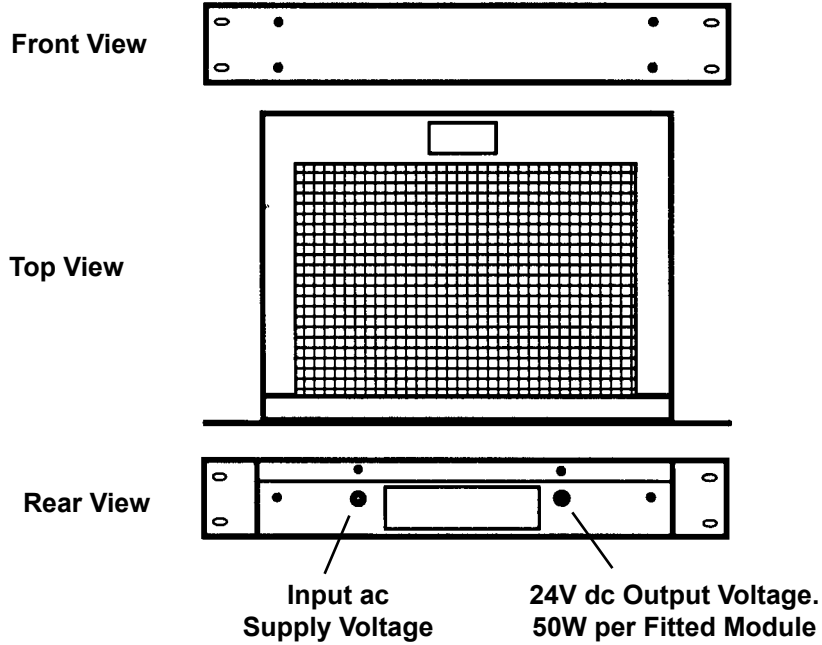
### 8.3 Power Supply Connections

The input ac power supply is connected via a three core cable at the rear of each unit.

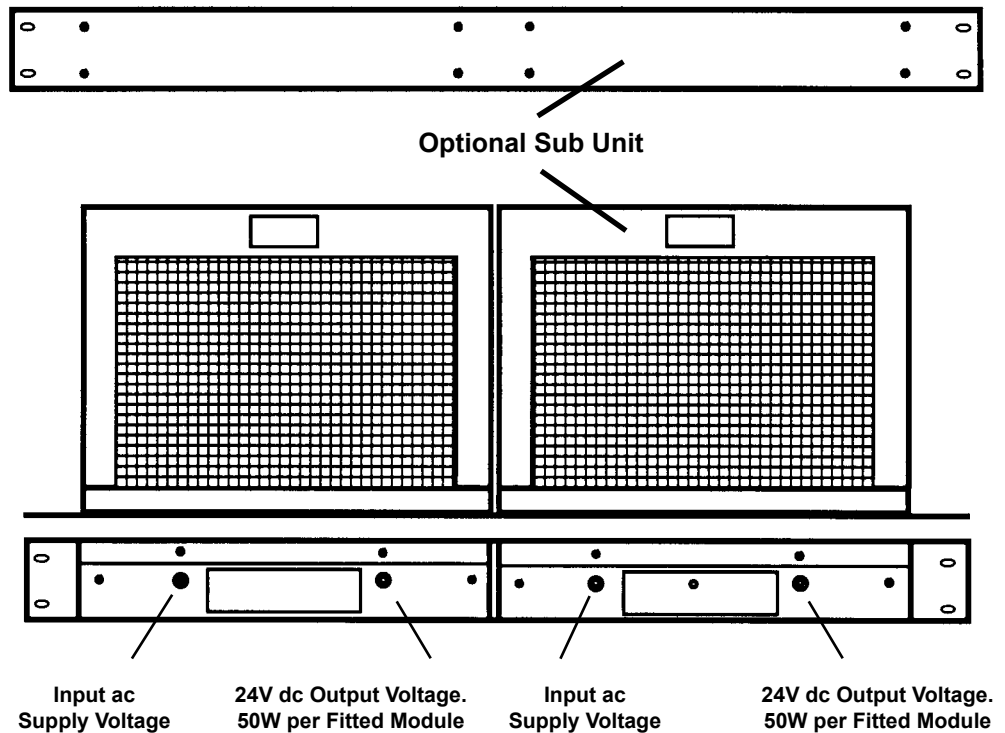
The nominal 24V dc output supply is connected via a twin core cable at the rear of each unit.

# CHAPTER 2 - SYSTEM DESCRIPTION

## 8.4 8-Way AC to DC Power Supply Unit Layout



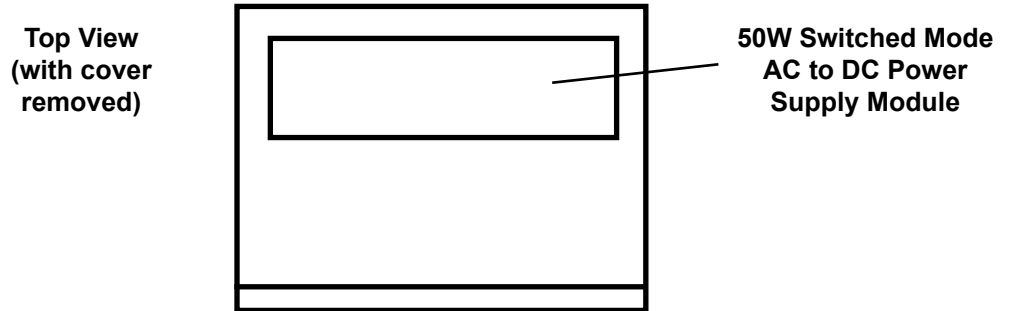
## 8.5 16-Way AC to DC Power Supply Unit Layout



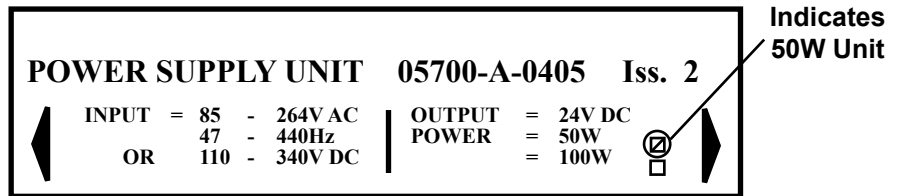
# CHAPTER 2 - SYSTEM DESCRIPTION

## 8.6 50W Sub-Unit Layout

The 50W Sub-unit is fitted with a single 50W Switched Mode AC to DC Power Supply Module as shown below:

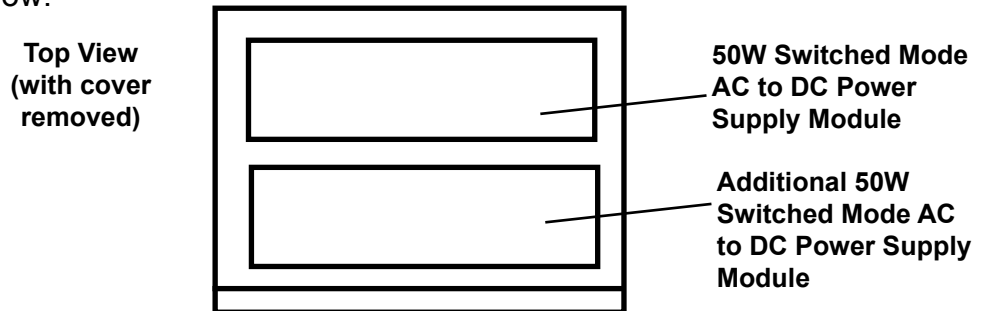


This type of unit is identified on the identification label as follows:

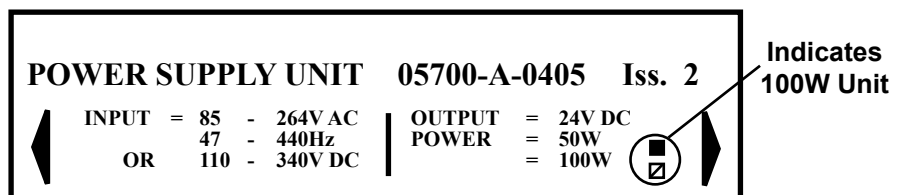


## 8.7 100W Sub-Unit Layout

The 100W Sub-unit is a 50W Sub-unit with an additional 50W Switched Mode AC to DC Power Supply Module fitted as shown below:



This type of unit is identified on the identification label as follows:



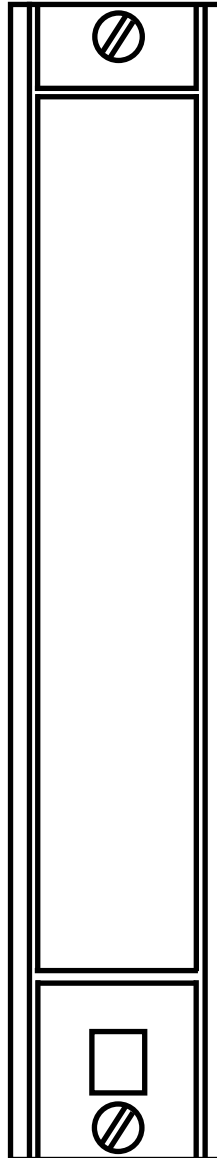
---

# CHAPTER 2 - SYSTEM DESCRIPTION

---

## 9. FRONT PANEL BLANKING PANEL

Matching blank front panels are available for fitting to the rack in all unused control card spaces.





---

# USER NOTES

---

---

# **CHAPTER 3 CONTROLS AND FACILITIES**

---

## **5704 SERIES CONTROL SYSTEM CHAPTER 3 CONTROLS AND FACILITIES**

---

# CHAPTER 3 CONTROLS AND FACILITIES

---

## CONTENTS

| Section                      | Page |
|------------------------------|------|
| 1. Introduction              | 3-3  |
| 2. Four Channel Control Card | 3-8  |
| 2.1 General                  | 3-8  |
| 2.2 Liquid Crystal Display   | 3-8  |
| 2.3 Status LEDs              | 3-11 |
| 2.4 Reset/Select Push-button | 3-14 |
| 2.5 Extraction Slot          | 3-15 |
| 2.6 Display Label and Cover  | 3-15 |
| 3. Engineering Card          | 3-17 |
| 3.1 General                  | 3-17 |
| 3.2 LED Indicators           | 3-17 |
| 3.3 Engineering Push-buttons | 3-18 |
| 3.4 Engineering Serial Port  | 3-21 |

---

# CHAPTER 3 CONTROLS AND FACILITIES

---

## 1. INTRODUCTION

The 5704 Series Control System is equipped to provide the operational and engineering facilities necessary to fully maintain a system of gas detection equipment.

Each control card within a rack system displays a sensor reading, alarm status condition and channel reading number.

Further information can be gathered and, depending on the security status, certain settings can be adjusted by means of an Engineering Card fitted to the rack.

The relay outputs of the system are configured to provide a range of output alarm functions as follows:

a. Fault Alarm

The fault alarm activates when a fault is detected in the control channel or associated sensor and is not user configurable. In addition the FAULT LED will be illuminated as described in Section 2.3.1a.

b. Inhibit Alarm

The inhibit alarm activates when the system alarms are inhibited for any reason and is not user configurable. In addition the INHIBIT LED will be illuminated as described in Section 2.3.1b.

c. A1, A2 and A3 Level Alarms

The A1, A2 and A3 level alarms are activated when the level of gas being measured crosses the preconfigured alarm threshold. In addition the relevant LED will be illuminated as described in Section 2.3.1c, d and e.

d. STEL Alarm (Short Term Exposure Limit).

The STEL alarm will be activated when the time weighted average concentration of a toxic gas, usually averaged over 10 or 15 minutes, crosses a preconfigured threshold. The control card alarm LED, associated during setup to the STEL alarm, will be illuminated as described in Section 2.3.1f and the message display will show STEL.

---

## CHAPTER 3 CONTROLS AND FACILITIES

---

e. LTEL Alarm (Long Term Exposure Limit).

The LTEL alarm will be activated when the time weighted average concentration of a toxic gas, usually averaged over 8 hours, crosses a preconfigured threshold. The control card alarm LED, associated during setup to the LTEL alarm, will be illuminated as described in Section 2.3.1f and the message display will show LTEL.

f. Individual Alarm

An individual alarm is caused by the input to an individual control channel crossing a preconfigured threshold and is not related to any other control channel. The relevant LED (A1, A2, A3, Fault, Inhibit) will illuminate on the control card with the alarm condition as described in Section 2.3.1.

**CAUTION\***

Depending upon the configuration, control cards configured for the following Zoned, Master or Voted alarms may not give individual alarm outputs.

g. Zoned Alarm\*

A zoned alarm is caused by the input to any control channel, from a sensor in a designated area, crossing a preconfigured threshold. The relevant LED (A1, A2, A3, Fault, Inhibit) will illuminate as described in Section 2.3.1 on the control card with the alarm condition and the message display of the control card designated Zone Master Card will show ZONE.

h. Master Alarm\*

A master alarm is caused by the input to any designated control channel within a single rack crossing a preconfigured threshold. The relevant LED (A1, A2, A3, Fault, Inhibit) will illuminate as described in Section 2.3.1 on the control card with the alarm condition and the message display of the control card designated the Master Control Card will show MSTR.

---

## CHAPTER 3 CONTROLS AND FACILITIES

---

i. Voted Alarm\*

A voted alarm is caused by the simultaneous presence of an identical alarm on more than one control channel within a preconfigured group. The relevant LED (A1, A2, A3, Fault, Inhibit) will illuminate as described in Section 2.3.1 on the control cards with the alarm conditions and the message display of the control card designated the Vote Master Card will show VOTE.

Vote compensation may be applied to the voted alarm output operation by selecting one of the following configurations:

- a. No compensation.
- b. Faults counted as alarms.
- c. Faults and inhibits counted as alarms.
- d. Vote count reduction on faults.
- e. Vote count reduction on faults and inhibit.

Vote compensation is useful to ensure that sensors in fault (or inhibit) do not prevent voted alarm outputs.

*Note: Vote compensation should not be used with software Version 1V5 or earlier.*

j. Update Alarm

The update alarm facility provides a common alarm indication whenever a new alarm occurs, even if a previous alarm condition exists. The update alarm can be configured to operate on a single card or on a grouped alarm e.g. master or zoned. The update alarm is especially useful in systems configured with only master or group/zone relays, where the occurrence of subsequent alarms will not cause further relay output compared to that caused by the initial alarm. The relevant LED (A1, A2, A3, Fault, Inhibit) will illuminate on the control card with the alarm condition as described in Section 2.3.1. The ATTN LED will also illuminate as described in Section 2.3.2b and the message display will show the cause of the update alarm, e.g., -FT-, -IN-, -A1-, etc.

When relays are used for signalling update alarms, no other alarms or messages must be allocated to them.

*Note: Update alarms should not be used with software Version 1V5 or earlier.*

---

# CHAPTER 3 CONTROLS AND FACILITIES

---

k. Rising Alarm

A rising alarm is caused by a rising level of the parameter being measured crossing a preconfigured threshold. This will also cause the associated alarm LED to illuminate as described in Section 2.3.1.

l. Falling Alarm

A falling alarm is caused by a falling level of the parameter being measured crossing a preconfigured threshold. This will also cause the associated alarm LED to illuminate as described in Section 2.3.1.

m. Latched Alarm

A latched alarm is an alarm that will remain active even though the level monitored no longer crosses the alarm threshold. The alarm LED will remain lit until the alarm reset is operated.

n. Non-latched Alarm

A non-latched alarm is an alarm that only remains active while the level being monitored crosses the alarm threshold. The alarm LED will remain lit while the alarm level remains but will automatically be reset when the level monitored no longer crosses the alarm threshold.

o. Normally Energised

A normally energised relay is activated when the power is removed from it, (eg. in the event of a system power failure). The LEDs will illuminate when an alarm or fault condition occurs irrespective of the relay configured state.

p. Normally De-energised

A normally de-energised relay is activated when the power is applied to it, (eg. in the event of an alarm condition). The LEDs will illuminate when an alarm or fault condition occurs irrespective of the relay configured state.

---

## CHAPTER 3 CONTROLS AND FACILITIES

---

q. Time Delay Alarms

The operation in response to alarm events of certain relays may be modified by applying a delay function to the relays. Time delay functions are available to delay the activation of a relay for a short period after an alarm event occurs and/or to maintain relay activation for a period after the alarm event has cleared. The time delay facilities are available for:

i. Relays 1 to 4 if the Quad Relay Interface Card is fitted.

ii. Relays 1 to 8 if the Relay Interface Assembly is fitted.

The time delay function is useful to prevent spurious alarms and to ensure appropriate minimum operating times for external electrical apparatus connected to the relay.



# CHAPTER 3 CONTROLS AND FACILITIES

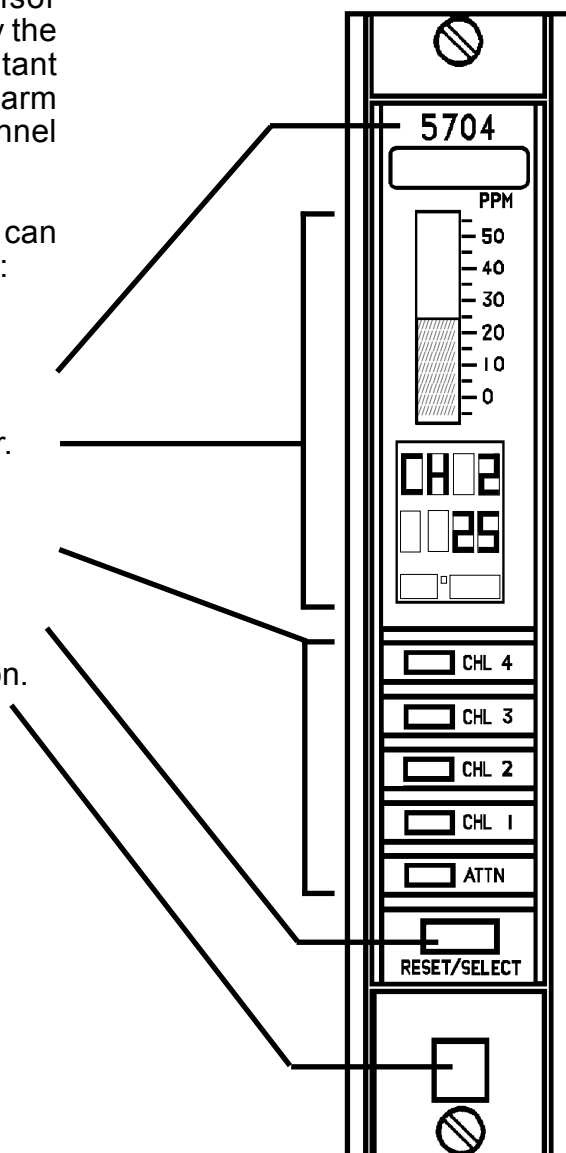
## 2. FOUR CHANNEL CONTROL CARD

### 2.1 General

The Four Channel Control Card provides the necessary power supplies to the associated sensors and conditions the incoming sensor signals. The received sensor signals are then processed by the microprocessor and the resultant values and any necessary alarm action, depending on the channel configuration, is carried out.

The channel card front panel can be subdivided into five areas:

- Display Label and Cover.
- LCD Display.
- Status LEDs.
- Reset/Select Push-button.
- Extraction Slot.



### 2.2 Liquid Crystal Display

#### 2.2.1 General

The backlit LCD provides a display of the selected sensor reading and its status, or if maintenance is being carried out on a sensor, information on the sensor set points and calibration data.

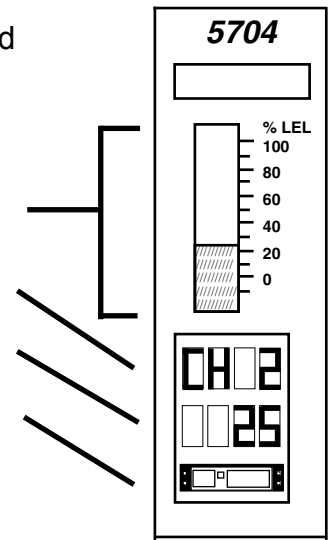
# CHAPTER 3 CONTROLS AND FACILITIES

The method of displaying each channels information can be selected from one of the following:

- a. Automatic sequencing.
- b. Highest reading.
- c. Combination of automatic sequencing and highest reading.
- d. Manually selected.

The display can be divided into four parts:

- Analogue Display.
- Message Display
- Digital Display.
- Icon Display.



## 2.2.2 Analogue Display

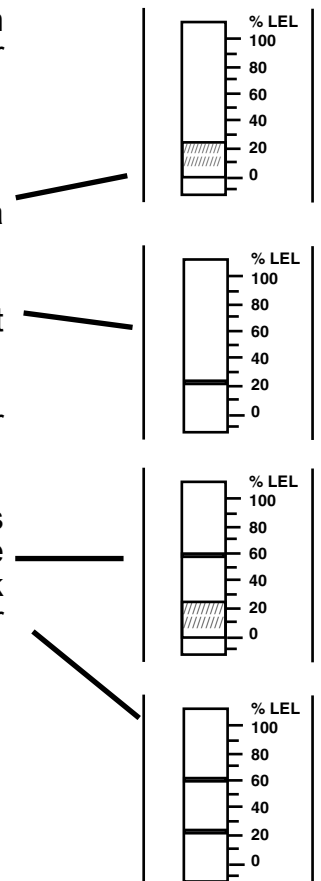
This consists of 25 segments providing an indication of the sensor gas reading in the form of an analogue bargraph which covers the sensor range between -10% and +110% fsd.

There are two possible modes of operation:

- a. Solid in which the segments fill the area between zero and the actual gas reading.
- b. Single Line in which a single segment indicates the actual gas reading.

Each of these modes can be operated as either a rising or falling display.

A peak reading facility is available which maintains a segment at the highest, or lowest, gas value obtained by the sensor since the previous peak reading reset. This is a useful recording tool for the behaviour of the connected sensor.



---

# CHAPTER 3 CONTROLS AND FACILITIES

---

The default mode of operation is a rising solid bar current gas reading display with a peak reading facility, and with a combination of automatic sequencing between channels and highest reading.

## 2.2.3 Digital Display

The digital display is a four character, seven segment display which provides either an indication of the sensor gas reading or a value relating to a function selected from the Engineering Card.

Depending on the sensor range and the configuration setting, the digital display shows a gas value to either no decimal place (the default setting) or to one or two decimal place.

## 2.2.4 Message Display

The message display consists of a four character, 14 segment display which provides intelligent reporting of the sensor status or information on a selected engineering function. For control cards fitted with the high integrity relay outputs performing master, zone or voted alarms the alarm state will also be indicated as follows:

|       |                    |
|-------|--------------------|
| BEAM- | Beamed Block Alarm |
| MSTR- | Master Alarm       |
| ZONE- | Zoned Alarm        |
| VOTE- | Voted Alarm        |

In the case of an update alarm, the cause of the alarm is indicated as follows:

|      |   |               |
|------|---|---------------|
| -FT- | - | Fault Alarm   |
| -IN- | - | Inhibit Alarm |
| -A1- | - | A1 Alarm      |
| -A2- | - | A2 Alarm      |
| -A3- | - | A3 Alarm      |
| -ST- | - | STEL Alarm    |
| -LT  | - | LTEL Alarm    |

## 2.2.5 Icon

The icon provides a simple indication that the display is functioning and changes when the channel card is selected for operation with the Engineering Card.



**Normal Operation**



**Selected**

---

# CHAPTER 3 CONTROLS AND FACILITIES

---

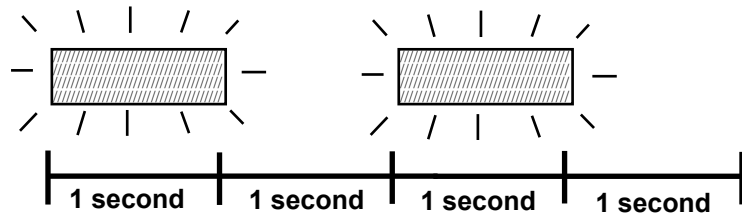
## 2.3 Status LEDs

### 2.3.1 CHL (Channel) LEDs

The four CHL alarm LEDs on the front panel of the control card provide multi status indications for each channel. These LEDs indicate as follows:

a. **FAULT ALARM**- Flashing Amber CHL LED

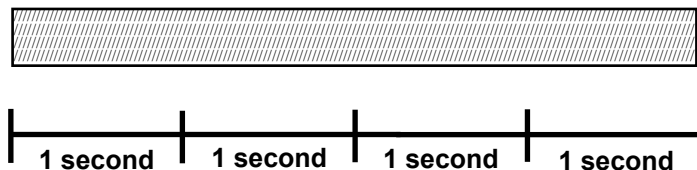
The fault condition is shown by the CHL LED flashing amber as shown below:



This provides an indication in the event of a sensor hardware failure, if the sensor signal is outside pre-defined limits or if the channel card has detected a channel hardware or software fault.

b. **INHIBIT ALARM** - Steady Amber CHL LED

The inhibit condition is shown by the CHL LED in a steady on amber condition as shown below:



This indicates when the channel is in the inhibit condition. This condition can be selected manually and remotely, or occurs automatically:

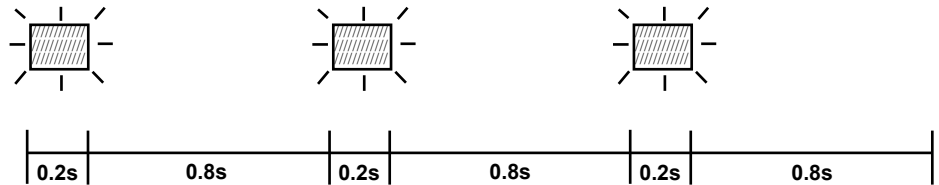
- during start-up for a pre-defined period of typically 30 seconds,
- when carrying out certain engineering functions such as zero, span, 1st span and alarm test.

During the inhibit condition, the channel card will continue to read the gas sensor reading, however, no action is taken in the event of an alarm condition being exceeded.

# CHAPTER 3 CONTROLS AND FACILITIES

c. **A1 ALARM** - Flashing Red CHL LED

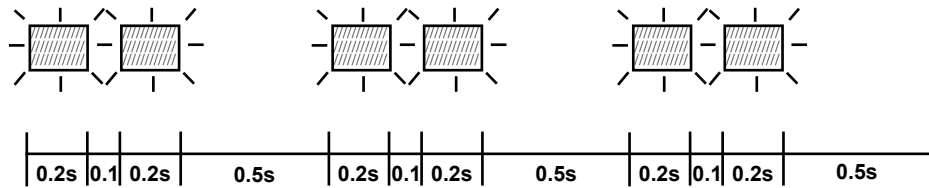
The A1 channel alarm condition is shown by the associated CHL LED flashing red once per period as shown below:



This indicates that the preset first level gas alarm for that channel has been exceeded. This alarm will not function in the event of either a fault or inhibit condition being active.

d. **A2 ALARM** - Flashing Red CHL LED

The A2 channel alarm condition is shown by the associated CHL

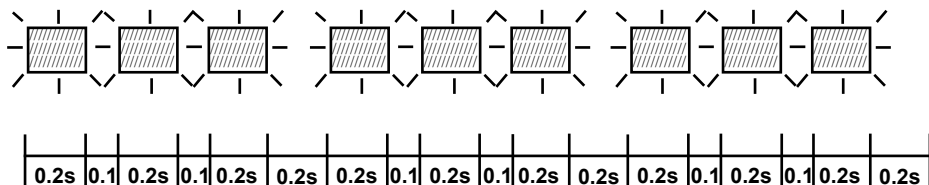


LED flashing red twice per period as shown below:

This indicates that the preset second level gas alarm for that channel has been exceeded. This alarm will not function in the event of either a fault or inhibit condition being active.

e. **A3 ALARM** - Flashing Red CHL LED

The A3 channel alarm condition is shown by the associated CHL LED flashing red three times per period as shown below:



This indicates that the preset third level gas alarm for that channel has been exceeded. This alarm will not function in the event of either a fault or inhibit condition being active.

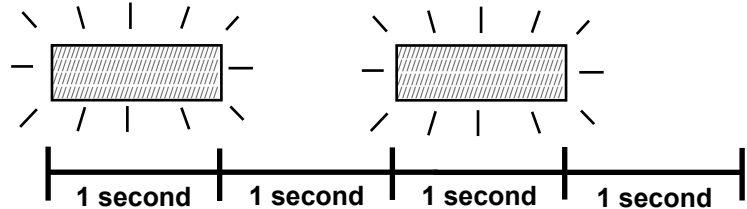
---

# CHAPTER 3 CONTROLS AND FACILITIES

---

f. **Special Alarm (STEL and LTEL)**

Slow Flashing Red CHL LED.

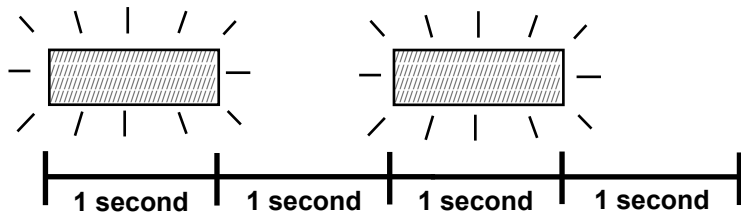


A slow flashing red CHL LED indicates that a STEL or LTEL alarm level has been exceeded.

### 2.3.2 ATTN (Attention) LED

The amber ATTN LED provides a common indication for the card as follows:

a. **HARDWARE OR SOFTWARE FAULT**

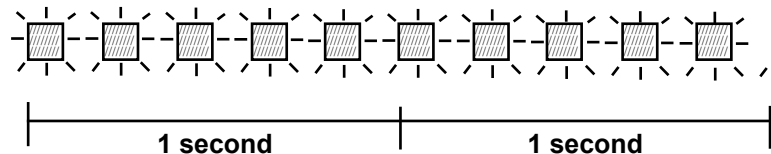


Slow Flashing Amber ATTN LED

A slow flashing amber ATTN LED indicates that there is a card hardware or software fault.

b. **UPDATE ALARM CONDITION**

Fast Flashing Amber ATTN LED



A fast flashing amber ATTN LED indicates that there is an update alarm condition. Update alarms can be configured for a card, or a number of cards, and for each A1, A2, A3, Fault and/or Inhibit.

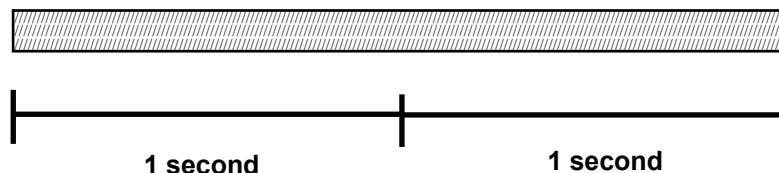
---

# CHAPTER 3 CONTROLS AND FACILITIES

---

## c. ALARM TEST

Steady Amber ATTN LED



A steady amber ATTN LED indicates control card is in the alarm test mode.

## 2.4 Reset/Select Push-button

The front panel **RESET/SELECT** push-button provides five functions depending upon how it is operated:

### a. Alarm Reset using the General Reset

The **RESET/SELECT** push-button, when pressed momentarily, resets any latched non active alarms, faults, warning or information messages, display peak reading indicator, attention lamp and will acknowledge an update if such a condition is present.

### b. Card Select

The **RESET/SELECT** push-button, when pressed for approximately 1.5 seconds, selects the control card for operations controlled from the Engineering Card. (The required channel is subsequently selected by the Engineering Card (▲) and (▼) keys).

### c. Extended Reset

When a channel is not selected, the **RESET/SELECT** push-button, when pressed continuously for five seconds:

- i. Clears all maximum and minimum gas readings.
- ii. Resets any active short term (STEL) and long term (LTEL) exposure alarms clearing the timer to zero.
- iii. For active time delay functions, activates any relay with impending trigger and clears any relay being held.

---

# CHAPTER 3 CONTROLS AND FACILITIES

---

d. Channel Deselect

The **RESET/SELECT** push-button, when pressed momentarily while a control card is selected, deselects the control card from the Engineering Card functions.

*Note: The control card may also be deselected by pressing the **X** key. This will override any sequential display scanning and continuously display the previously selected channel.*

e. Extended Channel Reset

While a channel is selected, the **RESET/SELECT** push-button when pressed continuously for five seconds, clears the short term (STEL) and the long term (LTEL) exposure calculations and sets the timer to zero.

*Note: This operation only affects the selected channel.*

## 2.5 Extraction Slot

An extraction tool is used in conjunction with the extraction slot, just below the select push-button, to remove the card from the rack. The extraction tool is provided as part of the Key Kit (05701-A-0550) supplied with each rack assembly.

The card is removed by first unscrewing the two card securing screws, one at the top of the card and the other at the bottom of the card, and then hooking the extraction tool into the extraction slot and then gently pulling the card out of the rack.

## 2.6 Display Label and Cover

A clear perspex cover clips to the front panel and retains the label which provides identification of the control card type, sensor scale, LED and push-button functions.

Two different label colours are used:

- a. Grey/Blue Input - Four Channel Control Card, Catalytic Sensor
- b. Violet - Four Channel Control Card, 4 - 20mA Sensor Input



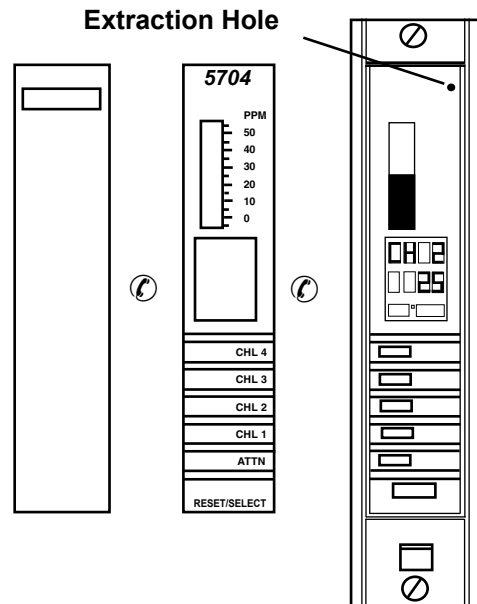
---

# CHAPTER 3 CONTROLS AND FACILITIES

---

The perspex cover is removed by first removing the control card from the rack and then locating a small hole on the inside of the front panel just above the LCD display. A blunt object, such as a screwdriver, is then pushed through the hole to unclip the perspex cover.

A small recess in the perspex cover allows a label to be inserted to indicate the channel tag name or gas type.



# CHAPTER 3 CONTROLS AND FACILITIES

## 3. ENGINEERING CARD

### 3.1 General

The Engineering Card provides facilities to allow each control card channel to be interrogated and to allow normal maintenance functions such as calibration to be carried out. It also acts as a connecting point for the engineering interface software which allows each card to be configured.

### 3.2 LED Indicators

Two indicators at the top of the front panel of the Engineering Card indicate the operational status of the card:

#### 3.2.1 ⚡ - Green LED

A continuously illuminated LED indicates that the correct dc power is connected to the rack via the DC Input Card.

A flashing LED at approximately two second intervals, indicates a low dc power input level.

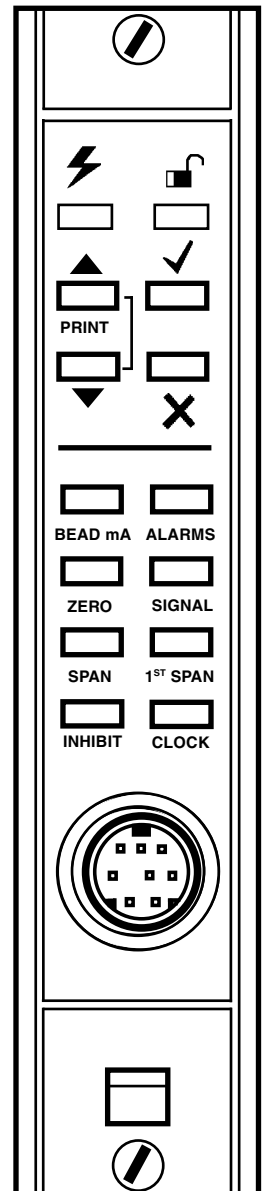
A flashing LED at approximately 0.5 second intervals, indicates a hardware fault.

#### 3.2.2 🔒 - Red LED

Provides an indication of the operation of the Engineering Card communications status as follows:

**Off:** Engineering Card functioning correctly and the engineering functions are locked. Operators functions are operational to allow the checking of various control card channel settings.

**On:** Engineering Card functioning correctly and the engineering functions are unlocked enabling changes to be made to the operation of a selected control card channel.



---

# CHAPTER 3 CONTROLS AND FACILITIES

---

Flashing: Indicates that a control card has been withdrawn from the rack, there is a communications error or that an external PC running the engineering interface software is communicating with the control cards.

*Note: To reset the indication, insert the Engineering Key momentarily and then remove again.*

## 3.3 Engineering Push-buttons

### 3.3.1 General

The Engineering Card push-buttons control various functions depending on the type of control card fitted and whether the Engineering Key is fitted.

### 3.3.2 Up Push-button (▲)

When the up push-button (▲) is operated, it increases the value of those functions that can be adjusted. With no engineering functions selected, this push-button is used to select a particular channel of a selected control card.

### 3.3.3 Down Push-button (▼)

When the down push-button (▼) is operated, it decreases the value of those functions that can be adjusted. With no engineering functions selected, this push-button is used to select a particular channel of a selected control card.

### 3.3.4 Operation of the Up and Down Push-buttons Simultaneously

This operation can only be used if a serial printer is connected to the rack. When the up (▲) and down (▼) push-buttons are operated simultaneously a print out command is selected of the control card configuration and status.

### 3.3.5 Accept Push-button (✓)

When the accept push-button (✓) is operated during any of the engineers functions, this button confirms adjustments that have been made and then cancels that function.

---

# CHAPTER 3 CONTROLS AND FACILITIES

---

## 3.3.6 Reject Push-button (X)

When operated during any of the engineers functions and providing the accept (✓) push-button has not been operated, the reject push-button (X) cancels adjustments that have been made. This push-button is also used to deselect a selected function and for manual channel display selections.

## 3.3.7 BEAD mA Push-button

When the **BEAD mA** push-button is operated, the display of the selected Catalytic Control Card provides an indication of the selected channels sensor head current.

Adjustments to this current can also be made if the Engineering Key is fitted to the Engineering Card.

## 3.3.8 ALARMS Push-button

When the **ALARMS** push-button is operated, the display of the selected control card provides an indication of the selected channels level and type (rising or falling) of each alarm level (A1, A2, A3), and the STEL/LTEL levels

If the Engineering Key is fitted to the Engineering Card, adjustments can be made to the alarm levels, within pre-defined limits, and additional test facilities become available. This facility allows each alarm operation to be checked and, if required, its associated output relay to be exercised.

## 3.3.9 SIGNAL Push-button

When the **SIGNAL** push-button is operated, the display of the selected control card provides an indication of the selected channels sensor signal as follows:

- a. 4 - 20mA Control Card - Loop current in mA.
- b. Catalytic Control Card - Catalytic bridge output (sensitivity) in mV.

## 3.3.10 ZERO Push-button

The **ZERO** push-button can only be used when the Engineering Key is fitted to the Engineering Card and is used to calibrate the zero point of the selected control card channel.

---

# CHAPTER 3 CONTROLS AND FACILITIES

---

## 3.3.11 SPAN Push-button

The **SPAN** push-button can only be used when the Engineering Key is fitted to the Engineering Card and is used to calibrate the span point of the selected control card channel.

## 3.3.12 1ST SPAN Push-button

The **1ST SPAN** push-button can only be used when the Engineering Key is fitted to the Engineering Card and is used to calibrate the span point of a new catalytic sensor fitted to a selected catalytic control card channel.

This function is used to provide an indication, in conjunction with subsequent normal span adjustments, of the output sensitivity of a catalytic sensor and to automatically indicate poisoning or loss of sensor performance.

## 3.3.13 CLOCK Push-button

When the **CLOCK** push-button is operated, the display of the selected control card provides an indication of the time and date of the rack clock.

The rack clock is located in the Engineering Card, however since the Engineering Card has no display, a control card must be selected to enable the time and date to be displayed. It does not matter which control card or channel is selected.

If the Engineering Key is fitted to the Engineering Card, the time and date can be adjusted.

## 3.3.14 INHIBIT Push-button

When the **INHIBIT** push-button is operated, the selected control card channel is placed in the inhibit mode. This prevents the operation of any configured relay output alarm functions.

Inhibit can only be used if the Engineering Key is fitted to the Engineering Card, however, if the Engineering Key is subsequently removed the selected control card channel remains in the inhibit mode.

---

# CHAPTER 3 CONTROLS AND FACILITIES

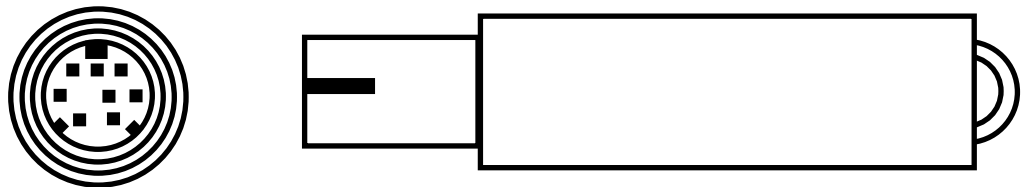
---

## 3.4 Engineering Serial Port

The Engineering Serial Port is a miniature DIN socket which provides three functions:

- a. Connection point for the Engineering Key to unlock the engineers functions.
- b. Connection point for the External Engineering Interface which allows each control card to be configured by an external PC running the engineering interface configuration software.
- c. Connection point for a serial printer which can be used to provide a hard copy of the control card configuration data and status.

The Engineering Serial Port and its Engineering Key are shown below:



---

# CHAPTER 3 CONTROLS AND FACILITIES

---

---

# **CHAPTER 4 - INSTALLATION INSTRUCTIONS**

---

## **5704 SERIES CONTROL SYSTEM CHAPTER 4 INSTALLATION INSTRUCTIONS**



---

# CHAPTER 4 - INSTALLATION INSTRUCTIONS

---



## WARNING

For installations in the EU, refer to EN 60079-14, 'Explosive atmospheres - Electrical installations design, selection and erection.'

Additionally, the code of practice regarding Selection, installation, use and maintenance of apparatus for the detection and measurement of combustible gases or oxygen must be complied with. Refer to EN 60079-29-2.

The above standards apply to the System 57 since the **SENSORS** may be installed in potentially hazardous atmospheres.

In addition, appropriate local or national regulations shall be used.”

## IMPORTANT NOTICES

1. Honeywell Analytics Limited can take no responsibility for installation and/or use of its equipment if this is not done in accordance with the appropriate issue and/or amendment of the manual.
2. The user of this manual should ensure that it is appropriate in all details to the exact equipment to be installed and/or operated. If in doubt, the user should contact Honeywell Analytics Limited for advice.
3. The System 57 cards contain no user serviceable parts. Refer all servicing to qualified service personnel.
4. When inserting or removing system components ensure that the power is switched off. Failure to do this may result in damage to the system.

---

# CHAPTER 4 - INSTALLATION INSTRUCTIONS

---

| <b>CONTENTS</b> |  |      |
|-----------------|--|------|
| Section         |  | Page |
| 1.              | INTRODUCTION                                 | 4-5  |
| 2.              | UNPACKING                                    | 4-5  |
| 3.              | LOCATION                                     | 4-6  |
| 4.              | CABLING                                      | 4-7  |
| 5.              | POWER REQUIREMENTS                           | 4-7  |
| 6.              | VENTILATION                                  | 4-9  |
| 7.              | PRELIMINARIES                                | 4-9  |
| 8.              | CABINET INSTALLATION                         | 4-10 |
| 9.              | PANEL INSTALLATION                           | 4-12 |
| 10.             | RACK INSTALLATION                            | 4-14 |
| 11.             | SENSOR INSTALLATION                          | 4-15 |
| 11.1            | General                                      | 4-15 |
| 11.2            | Sensor Line Resistance                       | 4-16 |
| 11.3            | Cable Resistance Guide                       | 4-17 |
| 11.4            | Catalytic Sensors                            | 4-17 |
| 11.5            | 4 - 20mA Loop Powered Sensors                | 4-18 |
| 11.6            | 4 - 20mA Transmitters                        | 4-18 |
| 12.             | SENSOR CONNECTIONS                           | 4-19 |
| 12.1            | General                                      | 4-19 |
| 12.2            | Catalytic Sensor Connections                 | 4-19 |
| 12.3            | 4 - 20mA Loop Powered Sensor Connections     | 4-23 |
| 12.4            | 4 - 20mA Transmitter Connections             | 4-25 |
| 12.5            | IS Series 2000 Toxic Transmitter Connections | 4-39 |
| 13.             | OUTPUT CONNECTIONS                           | 4-41 |
| 13.1            | Relay Output                                 | 4-41 |
| 13.2            | Analogue Output                              | 4-42 |
| 14.             | REMOTE INPUT CONNECTIONS                     | 4-47 |
| 15.             | DC POWER CONNECTIONS                         | 4-49 |

---

# CHAPTER 4 - INSTALLATION INSTRUCTIONS

---

|      |   |      |
|------|---|------|
| 15.1 | General   | 4-49 |
| 15.2 | Individually Powered Control Cards                          | 4-50 |
| 16.  | AC TO DC POWER SUPPLY UNIT CONNECTIONS                      | 4-51 |
| 17.  | UPGRADING THE AC TO DC POWER SUPPLY UNITS                   | 4-53 |
| 17.1 | General   | 4-53 |
| 17.2 | 8-Way and 16-Way AC to DC Power Supply Unit Upgrade to 100W | 4-56 |
| 17.3 | 16-Way AC to DC Power Supply Unit Upgrade to 150W or 200W   | 4-57 |

---

# CHAPTER 4 - INSTALLATION INSTRUCTIONS

---

## 1. INTRODUCTION

A summary of the System 57 controller installation procedures is shown below:

- a. Unpack and check the equipment.
- b. Identify a suitable location and check the cabling requirements.
- c. Confirm the power supply requirements.
- d. Install the Cabinet, 19" Mounting Frame or Panel Cutout as required.
- e. Fit the System 57 rack into the Cabinet, 19" Mounting Frame or Panel Cutout.
- f. Install the sensors and wire back to the System 57.
- g. Check, and if necessary reconfigure, the Four Channel Control Cards.
- h. Wire the sensors to the Quad Relay Interface Card terminal blocks.
- i. Wire the outputs from the Quad Relay Interface Card terminal blocks or from the Relay Interface Assembly if used.
- j. Wire the power supply to the DC Input Card.
- k. In individually powered applications, wire the power supply to each Quad Relay Interface Card.

After installation is complete perform the commissioning procedures outlined in Chapter 5.

The following sections of this chapter provide a detailed explanation of the installation operations.

## 2. UNPACKING

On receipt:

- a. Carefully unpack the equipment observing any instructions printed on or contained in the packaging.

---

# CHAPTER 4 - INSTALLATION INSTRUCTIONS

---

- b. Check the contents for transit damage and against the packing note for deficiencies.
- c. Locate the configuration sheet supplied with the unit and confirm that each channel card type and settings are compatible with the proposed sensors.

## 3. LOCATION

The control system must be installed in a safe area such as a control or equipment room. It must be installed in a vibration-free environment away from sources of heat, with adequate ventilation and protected from the weather.

There are two different System 57 rack configurations to accommodate either front or rear field wiring entry. Each configuration is available in half or full 19" width. The three most common mounting methods are:

- a. 19" Mounting Frame

The System 57 19" 6U front and 3U rear access racks are compatible with the standard 19" (483mm) sub-rack format and may therefore be fitted into any suitable 19" mounting frame.

- b. Cabinet

Wall mounting cabinets are available in two sizes to accommodate the 19" and half 19" 6U front access rack assemblies.

- c. Panel

Alternatively all the racks are suitable for fitting directly into a panel cutout aperture.

Power supply units are available, in both 19" and half 19" 1U formats, for applications where an ac input power source is to be used. It is recommended that the power supply units are mounted directly above the System 57 rack.



### CAUTION

**3U rear access racks should always be supported at the rear of the unit to prevent distortion and excessive loading of the front flange plates.**

---

# CHAPTER 4 - INSTALLATION INSTRUCTIONS

---

## 4. CABLING

The field terminals on the Quad Relay Interface and Relay Interface Assembly accept single or multi-stranded wire up to 2.5mm<sup>2</sup> (14 AWG). Cables should be routed carefully to avoid physical and environmental hazards such as mechanical stress and high temperatures.

Sensor wiring should consist of a cable with an earthed outer shield and should be routed away from sources of interference such as ac power cables, motors, machinery etc. All sensor cabling is subject to a maximum cable length that is dependant upon the cable line resistance and sensor types.

The current ratings of the power and relay cables should always be higher than the worst case maximum load requirement.

All sensor field cables must be screened in order to ensure correct operation of the system and to meet European Standards for RFI and EMC. The cable screen of each sensor should be connected to a GROUND terminal at the cabinet entry or the ground terminal of the appropriate Quad Relay Interface Card or another suitable ground point.

## 5. POWER REQUIREMENTS

The System 57 operates from a nominal 24V (18V to 32V) dc power supply input which may be derived from various sources including the mains ac, via a separate ac to dc power supply unit, local plant dc supply and/or battery backup dc supply.

The power supply may be applied to the System 57 backplane, via the DC Input Card, where the maximum backplane current is limited to 8A. The DC Input Card terminal blocks allow flexible power connections and diode isolation for two separate power supply inputs.

Where the number of Four Channel Control Cards fitted and the type of sensors used would cause a backplane current in excess of the 8A maximum, it is necessary to connect the power supply to each individual control card via its Quad Relay Interface Card. As a general rule, individually powered cards are required where more than eight catalytic control cards are fitted.

See Section 17 for connection details.

The power supply rating required is dependent upon the sensor types, number of channels and configuration of the System 57. Table 1, the Power Budget Calculation Sheet, allows for a quick and easy calculation of the worst case power requirement for the system. In many cases a lower power rating can be used, however, a more detailed power budget

# CHAPTER 4 - INSTALLATION INSTRUCTIONS

**Table 1 Power Budget Calculation Sheet**

To calculate the power requirement:

- (1) Enter the number of devices of each type used in the system in column B.
- (2) Multiply by the unit power shown in column C.
- (3) Enter the result in column D.
- (4) Add up column D to calculate the total power required.

| Device or Sensor Type<br>in Rack  | Number<br>Requirement<br>(W) | Unit<br>Power<br>(W) | Total        |
|---|------------------------------|----------------------|--------------|
| <b>A</b>  | <b>B</b>                     | <b>x</b>             | <b>C = D</b> |
| <b>System 57 DEVICES:</b>   |                              |                      |              |
| Four Channel Control Card,<br>Catalytic (includes bridge drive<br>at 200mA)     | ___                          | 12.8                 | ___          |
| Four Channel Control Card,<br>4 - 20mA (includes loop power)                    | ___                          | 8.3                  | ___          |
| Engineering Card  | 1                            | 1.5                  | 1.5          |
| DC Input Card   | 1                            | 0                    | 0            |
| Modbus Interface 232  | ___                          | 0.75                 | ___          |
| Modbus Interface 422/485  | ___                          | 1.50                 | ___          |
| Event Printing  | ___                          | 0.75                 | ___          |
| Alarm Update  | ___                          | 0.25                 | ___          |
| Update Panel  | ___                          | 0.20                 | ___          |
| Quad Relay Interface Card*  | ___                          | 1.7                  | ___          |
| Relay Interface Assembly*   | ___                          | 6.5                  | ___          |
| Analogue Output Modules (4 off)<br>(includes loop power)                        | ___                          | 4.0                  | ___          |
| <b>Allowance for Transmitters &amp; Sensors<br/>powered from System 57 PSU:</b> |                              |                      |              |
| Searchline  | ___                          | 5.0                  | ___          |
| Searchline Excel Receiver   | ___                          | 8.0                  | ___          |
| Searchline Excel Transmitter (S/R)  | ___                          | 6.5                  | ___          |
| Searchline Excel Transmitter (L/R)  | ___                          | 7.5                  | ___          |
| Searchline Excel Cross Duct TX & RX   | ___                          | 13.0                 | ___          |
| Searchpoint 500   | ___                          | 10.0                 | ___          |
| Searchpoint Optima  | ___                          | 4.2                  | ___          |
| Searchpoint Optima plus   | ___                          | 4.5                  | ___          |
| Series 2000 Toxic   | ___                          | 0                    | 0            |
| Series 2000 Combustible<br>(incl UL)  | ___                          | 3.8                  | ___          |
| Digi-Chem   | ___                          | 0.6                  | ___          |
| Digi-Cat (includes sensor)  | ___                          | 2.0                  | ___          |
| Digi-Ana Toxic  | ___                          | 0.6                  | ___          |
| Digi-Optima   | ___                          | 4.80                 | ___          |
| Life Line   | ___                          | 0                    | ___          |
| Others (refer to manufacturers<br>data for column (C))                          | ___                          | x                    | ___          |
| Apex Toxic*   | ___                          | 4.0                  | ___          |
| Apex Combustible*   | ___                          | 5.5                  | ___          |
| Opus/Lifeline II Toxic*   | ___                          | 2.4                  | ___          |
| Opus/Lifeline II Combustible*   | ___                          | 2.9                  | ___          |
| <b>TOTAL SYSTEM POWER REQUIREMENT =</b>   |                              | <b>W</b>             |              |

\* All relays energised.

---

# CHAPTER 4 - INSTALLATION INSTRUCTIONS

---

analysis should be performed to confirm the exact requirement. The 8-Way AC to DC Power Supply Units can provide a 50W dc supply or a 100W dc supply depending upon whether one or two switch mode modules are incorporated in the power supply unit.

Similarly, the 16-Way AC to DC Power Supply Units can provide a 50W, 100W, 150W and 200W dc supplies depending upon whether one, two, three or four switch mode modules are incorporated in the power supply unit.

## 6. VENTILATION

The 5704 Control System provides the facility for a large number of channels in a very small space. In heavily populated racks, especially those with many catalytic input control cards or relays configured for normally energised operation, it is possible for the heat dissipation to cause a significant rise in temperature both within the rack and in an area close to the rack.

As such, careful consideration must be given to thermal planning. To achieve most from the convection cooling, always ensure that the air can flow freely through the rack and power supply. Do not obstruct the air vent holes in the top and bottom of the rack and if possible space the control cards evenly within the rack.

It is recommended that during commissioning the operating temperature of the rack is checked to ensure that the maximum operating temperature of 55°C is not exceeded. In some cases the addition of forced air ventilation may be required.

Maximum power supply configuration allowed without provision for additional ventilation is 100w for 8 way cabinet and 200w for 16 way cabinet.

## 7. PRELIMINARIES

Ensure that each control card is compatible with the proposed sensor/transmitter to be connected to that control card.

Ensure that where an AC to DC Power Supply Unit is to be used, this is compatible with the local mains ac supply voltage and that the PSU power rating is adequate for its individual system load.

*Note: The model 05701-A-0405 and 05701-A-0406 AC to DC Power Supply Units operate, without the requirement of input voltage adjustments, from an 85V to 264V, 47Hz to 440Hz ac supply inputs.*



---

# CHAPTER 4 - INSTALLATION INSTRUCTIONS

---

## 8. CABINET INSTALLATION

Two cabinets are available, an 8-way to accommodate the 8-way **front access** rack and a 16-way to accommodate the 16-way **front access** rack.

The cabinet must be secured to a wall, or other suitable vertical surface, as follows:

- (1) Knock out the bottom gland-plate entries as appropriate for the system cabling and fit the glands before mounting the cabinet.
- (2) Attach the four mounting brackets provided to the cabinet.
- (3) Using the dimensions shown mark the position of the mounting holes on the mounting surface.
- (4) Drill and wall plug the mounting holes as necessary.

*Note: The mounting brackets will accept up to a 10mm ( 0.4" ) diameter screw.*

- (5) Secure the cabinet in position using appropriate mounting screws.
- (6) Fit the System 57 Rack and AC to DC Power Supply Unit (if required) into the cabinet in the positions as shown:
- (7) Pass cables through the gland adjacent to field terminal blocks, where possible keeping the sensor cable(s) separate from the other wiring.
- (8) Prepare and connect the cable ends to Quad Relay Interface and Expansion Relay Card terminals. For terminal identification see Chapter 2.
- (9) Ensure that the cabinet is properly earthed by connecting a suitable earth cable to the earth stud located in the bottom panel of the cabinet.
- (10) Close and lock the cabinet.

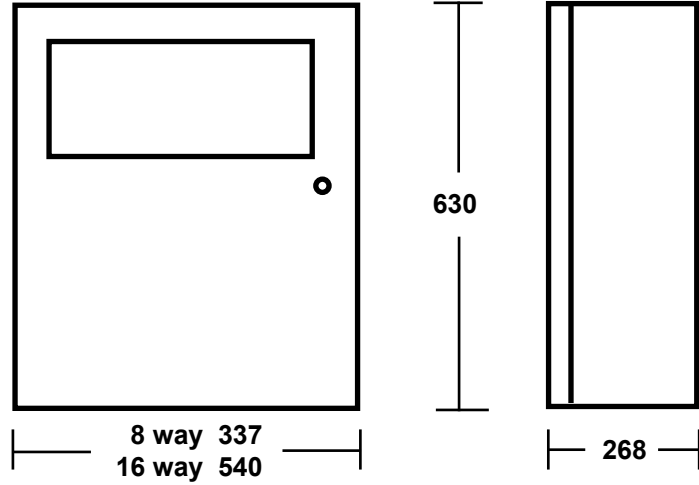


### CAUTION

**Do not apply power to the System 57 until the commissioning procedure has been read and understood. See Section 5.**

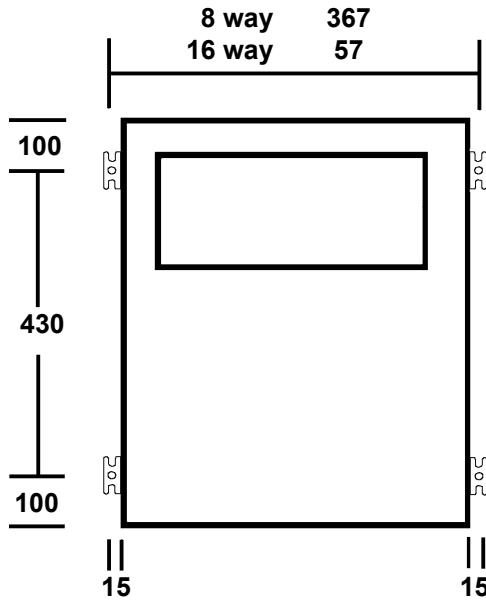
# CHAPTER 4 - INSTALLATION INSTRUCTIONS

## Cabinet Dimensions:



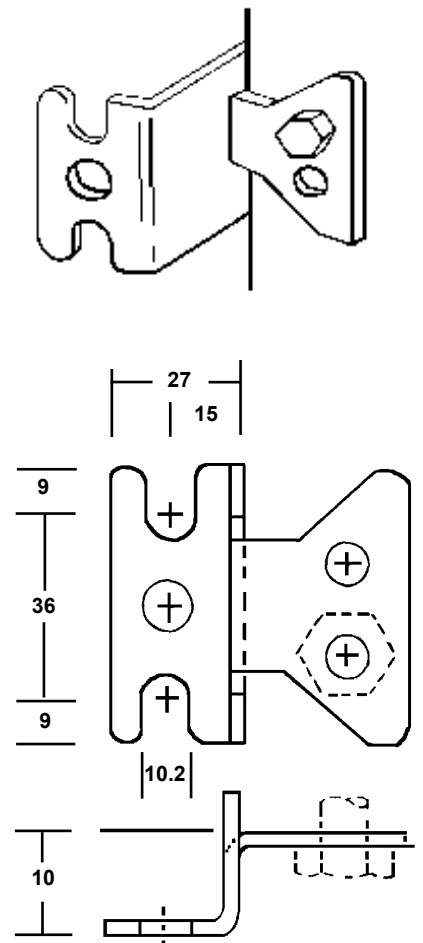
All dimension shown in mm.

## Wall Mounting Bracket Hole Locations



All dimension shown in mm.

## Cabinet Mounting Brackets

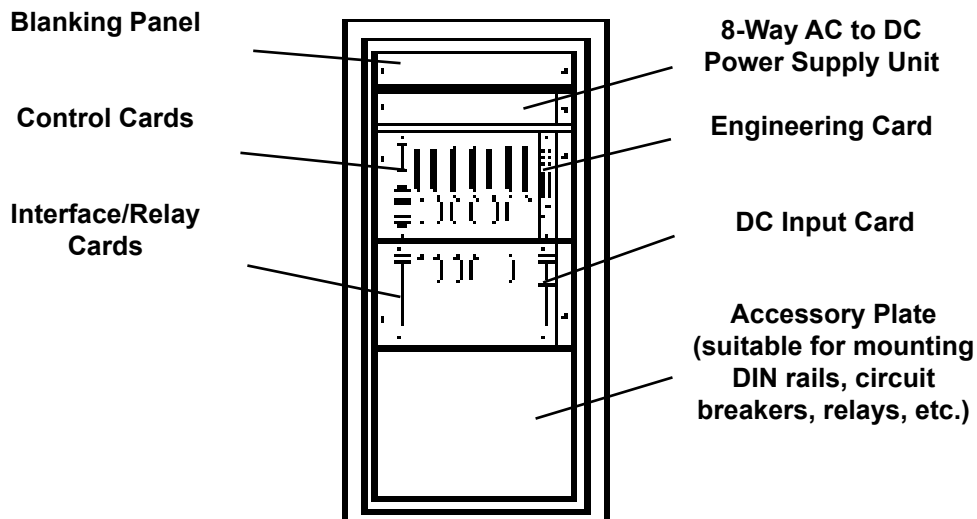


---

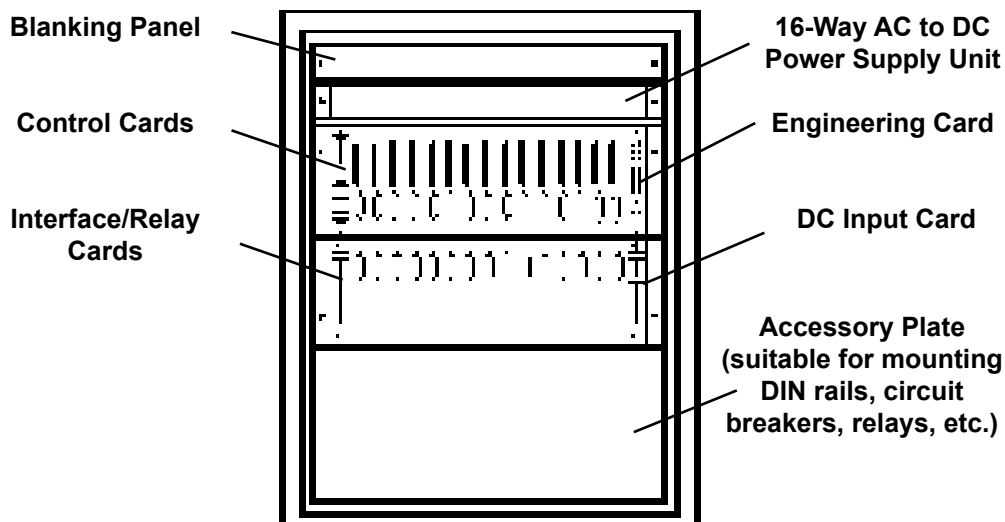
# CHAPTER 4 - INSTALLATION INSTRUCTIONS

---

## Eight Card Cabinet Installation



## 16 Card Cabinet Installation

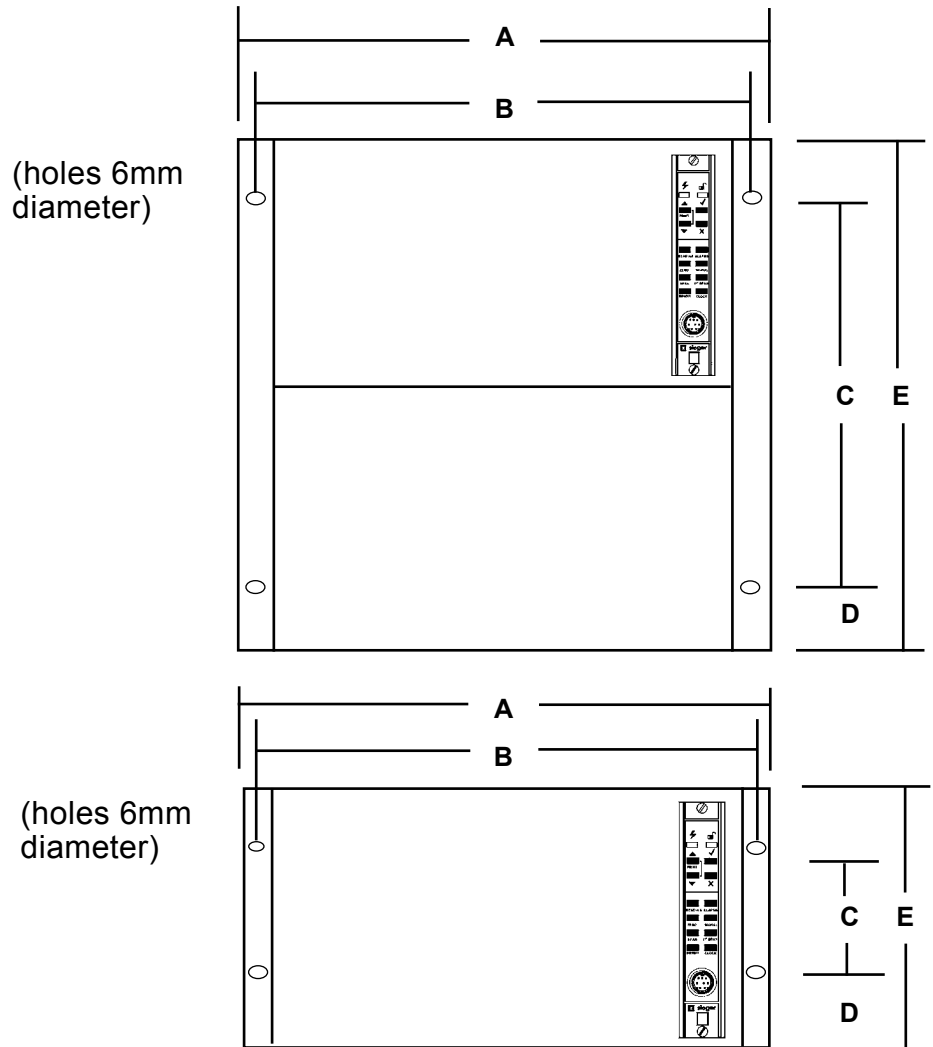


## 9. PANEL INSTALLATION

All racks and the AC to DC Power Supply Units are suitable for panel installation and are installed as follows:

- (1) Cut out a suitable aperture to accommodate the System 57 rack and power supply unit (where required) using the dimensions shown:

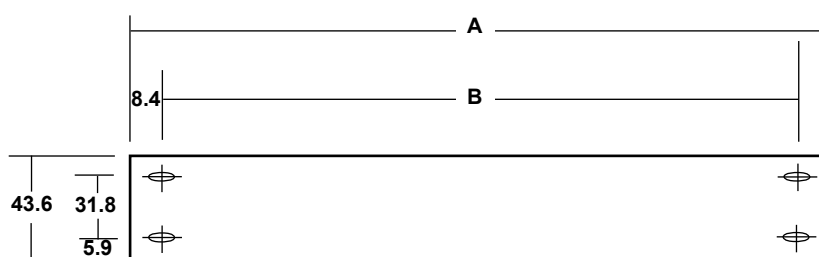
# CHAPTER 4 - INSTALLATION INSTRUCTIONS



**Rack Table of Sizes (mm)**

| Rack Assembly                  | A                 | B     | C                                 | D    | E     | Depth |
|--------------------------------|-------------------|-------|-----------------------------------|------|-------|-------|
| 8 Way Rear Access              | 279.4             | 261.9 | 57.0                              | 37.8 | 132.5 | 287.6 |
| 8 Way Front Access             | 279.4             | 261.9 | 190.5                             | 37.8 | 266.0 | 217.6 |
| 16 Way Rear Access             | 482.6             | 465.1 | 57.0                              | 37.8 | 132.5 | 287.6 |
| 16 Way Front Access            | 482.6             | 465.1 | 190.5                             | 37.8 | 266.0 | 217.6 |
| <b>Panel Cut-out Clearance</b> |                   |       |                                   |      |       |       |
| 8 Way<br>16 Way                | Width: 247<br>450 |       | Height as column E<br>as column E |      |       |       |

# CHAPTER 4 - INSTALLATION INSTRUCTIONS



**AC to DC PSU Table of Sizes (mm)**

| PSU Assembly | A     | B     | Clearance |        |       |
|--------------|-------|-------|-----------|--------|-------|
|              |       |       | Width     | Height | Depth |
| 8 Way        | 279.4 | 261.9 | 222       | 41     | 190   |
| 16 Way       | 482.6 | 465.1 | 443       | 41     | 190   |

- (2) Insert the rack into the aperture and secure using M6, or similar bolts, through the four mounting holes located upon the front flange plates.
- (3) Ensure adequate support at the rear of rear access racks.
- (4) Prepare and connect the cable ends to Quad Relay Interface and Expansion Relay Cards terminals. For terminal identification see Chapter 2. Where possible keep sensor cables separate from the other wiring.
- (5) Ensure that the rack is properly earthed by connecting a suitable earth cable to the earth stud located at the rear of the rack.



## CAUTION

**Do not apply power to the System 57 until the commissioning procedure has been read and understood. See Chapter 5.**

## 10. RACK INSTALLATION

The 16-way 3U high rear access and 6U high front access racks are suitable for mounting in standard 19" (483mm) wide Mounting Frames. These are fitted as follows:

---

# CHAPTER 4 - INSTALLATION INSTRUCTIONS

---

- (1) Insert the rack into the 19" Mounting Frame and secure using M6 or similar bolts through the four mounting holes located on the front flange plates.
- (2) Ensure adequate support at the rear of rear access racks.
- (3) Prepare and connect the cable ends to Quad Relay Interface and Expansion Relay Card terminals. For terminal identification see Chapter 2. Where possible keep sensor cables separate from the other wiring.
- (4) Ensure that the rack is properly earthed by connecting a suitable earth cable to the earth stud located at the rear of the rack.



## CAUTION

**Do not apply power to the System 57 until the commissioning procedure has been read and understood. See Chapter 5.**

## 11. SENSOR INSTALLATION

### 11.1 General

Always install the sensors in accordance with the Sensor Operating Instructions.

In general, sensors for lighter than air gasses should be located at a high level and sensors for heavier than air gasses should be located at a low level.

Do not install the sensors:

- a. Where the normal air flow may be impeded.
- b. In corners of rooms where static air pockets may exist.
- c. Near sources of heat such as convector heaters.

Do install the sensors:

- a. As close as possible to the potential source of gas to be detected in order to give the maximum possible warning.
- b. So that they are accessible for maintenance work.

# CHAPTER 4 - INSTALLATION INSTRUCTIONS

## 11.2 Sensor Line Resistance

Sensors should be located such that the line resistance of cable does not exceed the maximum permitted. The table below gives a quick guide to the maximum cable lengths permitted for specific sensors, when connected by stranded copper conductor cables of various sizes to a System 57 running at the minimum dc input voltage.

| Maximum Cable Length (m)   |                                |            |            |            |            |            |
|--|--------------------------------|------------|------------|------------|------------|------------|
| Device or Sensor Type  | Conductor Cross Sectional Area |            |            |            |            |            |
|  | AWG<br>mm <sup>2</sup>         | 21<br>0.50 | 19<br>0.75 | 18<br>1.00 | 16<br>1.50 | 14<br>2.50 |
| 704/705  |                                | 500        | 750        | 1000       | 1500       | 2500       |
| 780 (at 200mA bridge current)  |                                | 500        | 750        | 1000       | 1500       | 2500       |
| 811  |                                | 5600       | 8400       | 11200      | 16800      | 28000      |
| 910 (Single pair at 200mA)   |                                | 480        | 720        | 960        | 1400       | 2400       |
| 910 (2 pair at 200mA)  |                                | 230        | 340        | 460        | 690        | 1100       |
| 911  |                                | 5600       | 8400       | 11200      | 16800      | 28000      |
| SensePoint Flam. LEL/ppm   |                                | 500        | 750        | 1000       | 1500       | 2500       |
| SensePoint Toxic   |                                | 3200       | 4800       | 6400       | 9600       | 16000      |
| SignalPoint Flamable   |                                | 500        | 750        | 1000       | 1500       | 2500       |
| SignalPoint Toxic  |                                | 2000       | 3000       | 4000       | 6000       | 10000      |
| Digi-Cat   |                                | 400        | 570        | 800        | 1150       | 1850       |
| Digi-Chem  |                                | 1000       | 1500       | 2000       | 3100       | 4800       |
| Digi-Ana   |                                | 1000       | 1500       | 2000       | 3100       | 4800       |
| Digi-Optima  |                                | 180        | 260        | 360        | 540        | 860        |
| Life Line  |                                | 3200       | 4600       | 6500       | 9750       | 15000      |
| Searchline<br>(minimum dc supply 21V)  |                                | 60         | 90         | 120        | 180        | 300        |
| Searchpoint 500  |                                | 32         | 48         | 64         | 96         | 160        |
| Searchpoint OPTIMA<br>(minimum dc supply 19V)                                  |                                | 180        | 270        | 360        | 540        | 900        |
| Series 2000 Flammable  |                                | 450        | 670        | 900        | 1300       | 2200       |
| Series 2000 Toxic  |                                | 1600       | 2400       | 3200       | 4800       | 8000       |
| Searchline Excel Receiver<br>(Minimum dc supply 21V)                           |                                | 90         | 135        | 179        | 271        | 449        |
| Searchline Excel Transmitter<br>(S/R) (Minimum dc supply 21V)                  |                                | 141        | 211        | 282        | 425        | 704        |
| Searchline Excel Transmitter<br>(L/R) (Minimum dc supply 21V)                  |                                | 94         | 141        | 188        | 283        | 464        |
| Searchline Excel Cross Duct<br>Transceiver assembly<br>(Minimum dc supply 21V) |                                | 55         | 82         | 109        | 165        | 274        |
| Searchpoint Optima Plus  |                                | 159        | 237        | 315        | 476        | 787        |
| Apex - Toxic   |                                | 180        | 270        | 360        | 540        | 900        |
| Apex - Combustible/Thick Film  |                                | 130        | 195        | 260        | 390        | 650        |
| Opus/LLII - Toxic  |                                | 300        | 450        | 600        | 900        | 1500       |
| Opus/LLII - Combustible  |                                | 250        | 375        | 500        | 750        | 1250       |

The figures in the table above provide a useful reference guide to maximum cable lengths, however, in many circumstances longer cable runs can be used. eg. Where the dc input voltage is higher than the minimum. In these circumstances a more detailed analysis is required to determine maximum line resistance.

### WARNING

It is required that verification by testing that cable faults (open circuit and short circuit) at the transmitter's side are correctly detected by the control card. The control card shall indicate ER81, ER87 or ER88 in this case.

# CHAPTER 4 - INSTALLATION INSTRUCTIONS

The following sections outline how to calculate the maximum line resistance for catalytic sensors, loop powered sensors and transmitters powered from the System 57. See Section 11.3 for a guide on cable selection.

## 11.3 Cable Resistance Guide

A guide to the resistance of various copper cable sizes is given below:

| Solid Copper Conductor    |     |  |
|---------------------------|-----|--|
| Cross Sectional Area      |     | Maximum resistance at 20°C<br>(ohm/km) |
| (mm <sup>2</sup> )        | AWG |  |
| 0.50                      | 21  | 36.8                                   |
| 0.75                      | 19  | 24.5                                   |
| 1.00                      | 18  | 18.4                                   |
| 1.50                      | 16  | 12.3                                   |
| 2.50                      | 14  | 7.4                                    |
| Stranded Copper Conductor |     |  |
| Cross Sectional Area      |     | Maximum resistance at 20°C<br>(ohm/km) |
| (mm <sup>2</sup> )        | AWG |  |
| 0.50                      | 21  | 36.8                                   |
| 0.75                      | 19  | 24.5                                   |
| 1.00                      | 18  | 17.6                                   |
| 1.50                      | 16  | 11.7                                   |
| 2.50                      | 14  | 7.4                                    |

## 11.4 Catalytic Sensors

The maximum line resistance of cabling for a catalytic sensor varies with the current and voltage requirements of the type of sensor installed. It is also subject to a maximum of 10V permitted across terminals S and NS at the Quad Relay Interface Card.

Maximum line loop resistance is calculated as follows:

$$R_L = \frac{10 - V_s}{I_s}$$

Where:  $R_L$  = Total Line Resistance (ohms). Including sensor.  
 $V_s$  = Sensor Voltage (V)  
 $I_s$  = Sensor Current (A)



# CHAPTER 4 - INSTALLATION INSTRUCTIONS

## 11.5 4 - 20mA Loop Powered Sensors:

The maximum line resistance of cabling for a 4 - 20mA loop powered sensor varies with the voltage drive requirements of the type of sensor installed. It is also subject to a 24V maximum loop drive voltage.

Maximum line loop resistance is calculated as follows:

$$R_L = \frac{24 - V_s}{0.025}$$

Where:  $R_L$  = Total Line Resistance (ohms)  
 $V_s$  = Minimum Sensor Operating Voltage (V)

## 11.6 4 - 20mA Transmitters

The maximum line resistance of cabling for a 4 - 20mA transmitter powered from the System 57 varies with the voltage and current requirements of the transmitter. It is also subject to the minimum supply voltage available from the System 57.

Maximum line loop resistance is calculated as follows:

$$R_L = \frac{V_r - V_s}{I_s}$$

Where:  $R_L$  = Total Line Resistance (ohms)  
 $V_r$  = Minimum DC Supply to System 57 (V)  
 $V_s$  = Sensor Voltage (V)  
 $I_s$  = Sensor Current (A)

Making the above calculation using a  $V_r$  of 18V will accommodate the worst case low dc supply situation.

The maximum resistance **per core** can be calculated from the above configurations as follows:

$$\text{Maximum Resistance of Core} = \frac{R_L}{2} \text{ ohms}$$

---

# CHAPTER 4 - INSTALLATION INSTRUCTIONS

---

## 12. SENSOR CONNECTIONS

### 12.1 General



#### **WARNING**

**Incorrect connection of the sensor wires may cause damage to both the sensor and System 57.**

#### **CAUTION**

**The sensors connections must always be made with the System 57 unit in an unpowered state. Isolate power supplies at their source before making connections.**

**Ensure that any external dc backup battery supply is also disabled.**

#### **IMPORTANT**

**In order to ensure the correct operation of the system and to meet European Standards for RFI and EMC, all sensor field cables must be screened. The cable screen of each sensor should be connected to the cabinet protective earth.**

Connect the cabling to sensors in accordance with the Sensor Operating Instructions and run the field cables back to the System 57 unit. The sensor cables should be routed away from sources of interference such as ac power cables, motors, machinery etc.

Use the information on the configuration sheet provided with the unit to decide which sensor to connect to each channel. The following sections describe the sensor connections for the Catalytic and 4 - 20mA input Four Channel Control Cards.

### 12.2 Catalytic Sensor Connections

Catalytic sensors require a three wire connection and the sensor documentation will indicate three connections S, 01 and NS, which are usually brown, white and blue respectively.

At the System 57 end of the field cable, the three sensor wires should each be connected to the respective matching S, 01 or NS terminal of the appropriate channel on the Quad Relay Interface Card that is attached to the required Four Channel Control Card.

---

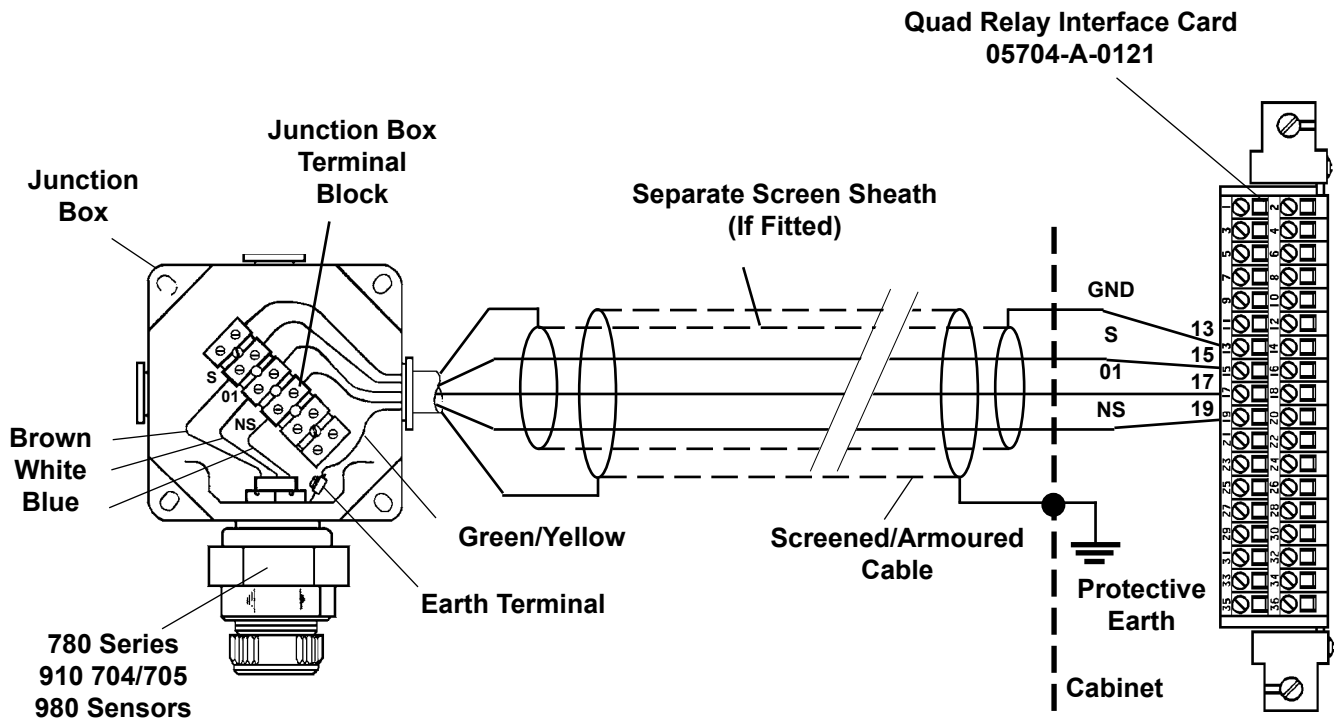
## CHAPTER 4 - INSTALLATION INSTRUCTIONS

---

The sensor cable screen or steel wire armour (or braid), as appropriate, should be connected to the system (protective) earth. This can be achieved where the cable enters the cabinet by using a metal cable gland, or by other suitable means, and avoiding any screen 'tails' within the cabinet.

Where the cable consists of a separate screen sheath and wire armour (or braid), the armour should be connected, at the cabinet entry, to the protective earth and the screen sheath should be connected to the GROUND terminal of the Quad Relay Interface Card or to a suitable instrument earth point.

# CHAPTER 4 - INSTALLATION INSTRUCTIONS

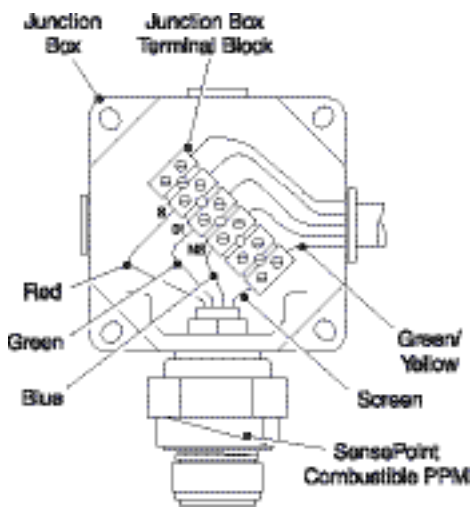
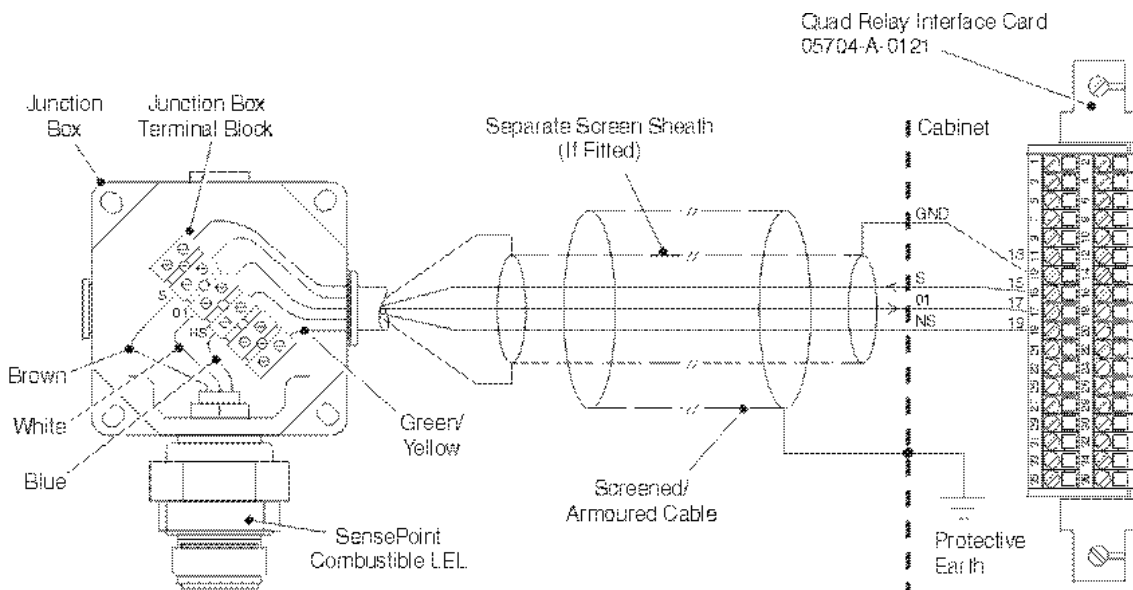


- Notes: 1. Where a sensor is earthed locally, either to an Earth Stud or through the sensor casing or mounting, to avoid earth loops the screen sheath of the cable should only be connected at one end.
2. The above diagram shows the sensor connections for Channel 1. Channels 2, 3 and 4 connections are similar and their pin connection numbers are shown below:

|                                  | Channel | Sensor Connection |    |    |        |
|----------------------------------|---------|-------------------|----|----|--------|
|                                  |         | S                 | 01 | NS | Ground |
| Quad Relay Interface Connections | 1       | 15                | 17 | 19 | 13     |
|                                  | 2       | 16                | 18 | 20 | 14     |
|                                  | 3       | 21                | 23 | 25 | 13     |
|                                  | 4       | 22                | 24 | 26 | 14     |

## Combustible Sensor, Junction Box and Terminal Block Connections

# CHAPTER 4 - INSTALLATION INSTRUCTIONS



Notes: 1. Where a sensor is earthed locally, either to an Earth Stud or through the sensor casing or mounting, to avoid earth loops the screen sheath of the cable should only be connected at one end.

2. The above diagram shows the sensor connections for Channel 1. Channels 2, 3 and 4 connections are similar and their pin connection numbers are shown below:

|                                  | Channel | Sensor Connection |    |    |        |
|----------------------------------|---------|-------------------|----|----|--------|
|                                  |         | S                 | 01 | NS | Ground |
| Quad Relay Interface Connections | 1       | 15                | 17 | 19 | 13     |
|                                  | 2       | 16                | 18 | 20 | 14     |
|                                  | 3       | 21                | 23 | 25 | 13     |
|                                  | 4       | 22                | 24 | 26 | 14     |

## SensePoint Combustible Sensor, Junction Box and Terminal Block Connections

---

# CHAPTER 4 - INSTALLATION INSTRUCTIONS

---

## 12.3 4 - 20mA Loop Powered Sensor Connections

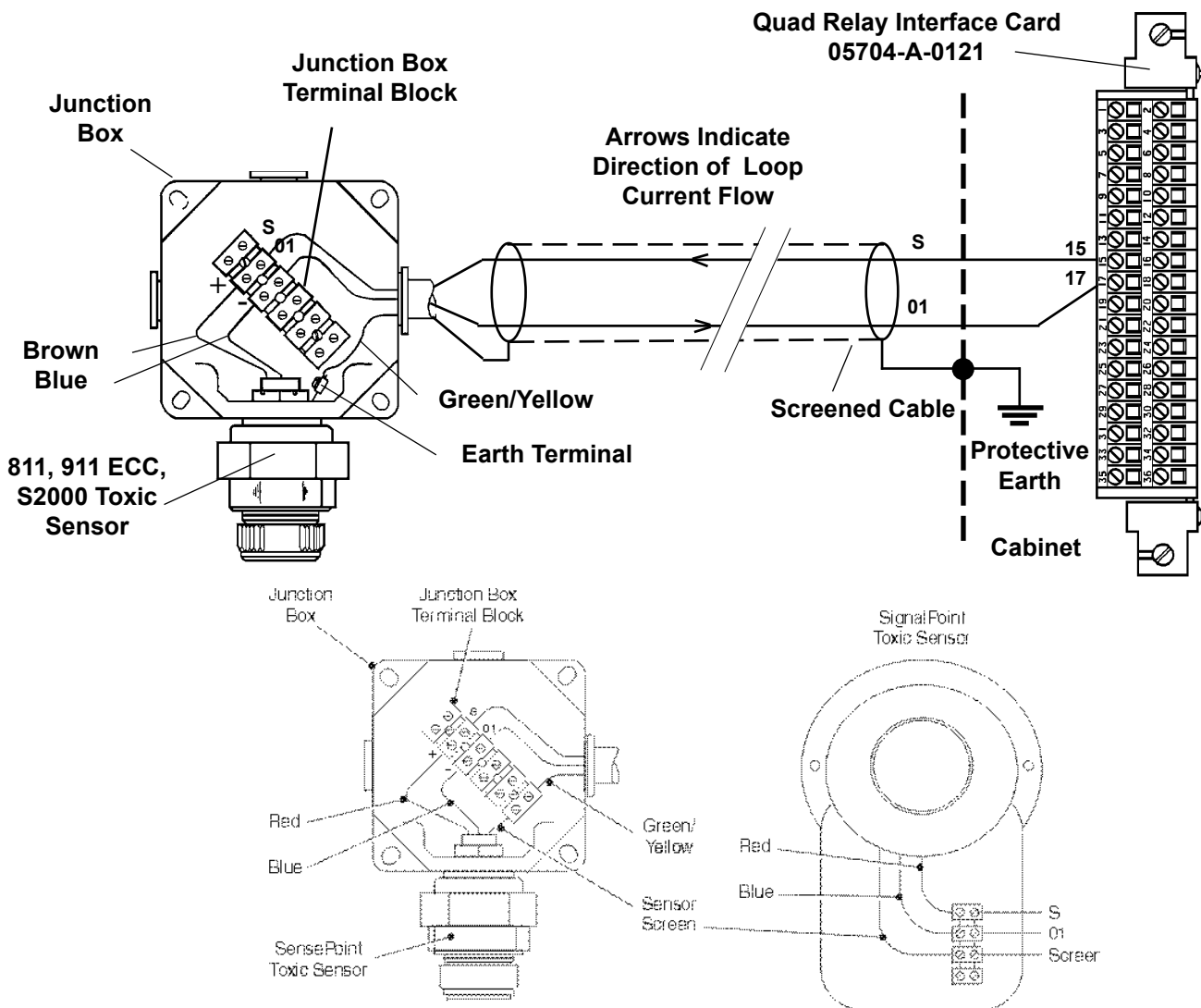
Loop powered sensors require a two wire connection and the sensor documentation will indicate the positive and negative loop connections, usually brown and blue respectively.

At the System 57 end of the field cable the two sensor wires should be connected to the S (positive) and 01 (negative) terminals of the appropriate channel on the Quad Relay Interface Card that is attached to the required Four Channel Control Card.

The sensor cable screen or steel wire armour (or braid), as appropriate, should be connected to the system (protective) earth. This can be achieved where the cable enters the cabinet by using a metal cable gland, or by other suitable means, and avoiding any screen 'tails' within the cabinet.

Where the cable consists of a separate screen sheath and wire armour (or braid), the armour should be connected, at the cabinet entry, to the protective earth and the screen sheath should be connected to the GROUND terminal of the Quad Relay Interface Card or to a suitable instrument earth point.

# CHAPTER 4 - INSTALLATION INSTRUCTIONS



- Notes: 1. Where a sensor is earthed locally, either to an Earth Stud or through the sensor casing or mounting, to avoid earth loops the screen sheath of the cable should only be connected at one end.
2. The above diagram shows the sensor connections for Channel 1. Channels 2, 3 and 4 connections are similar and their pin connection numbers are shown below:

|                                  | Channel | Sensor Connection |    |
|----------------------------------|---------|-------------------|----|
|                                  |         | S                 | 01 |
| Quad Relay Interface Connections | 1       | 15                | 17 |
|                                  | 2       | 16                | 18 |
|                                  | 3       | 21                | 23 |
|                                  | 4       | 22                | 24 |

**Loop Powered Sensor (Measuring Resistance in Supply Return)**

---

# CHAPTER 4 - INSTALLATION INSTRUCTIONS

---

## 12.4 4 - 20mA Transmitter Connections

Transmitters require either three or four wire connections and the sensor documentation will indicate the 0V and +24V power connections and the positive and negative loop connections.

At the System 57 end of the field cable the sensor loop signal wires should be connected to the S, 01, NS terminals on the Quad Relay Interface Card that is attached to the required Four Channel Control Card. The exact terminals used vary depending upon whether three or four wire topology is used, the requirement for a loop current source configuration and the channel to be connected to.

The transmitter power connection +24V and 0V should be connected to a suitable dc supply.

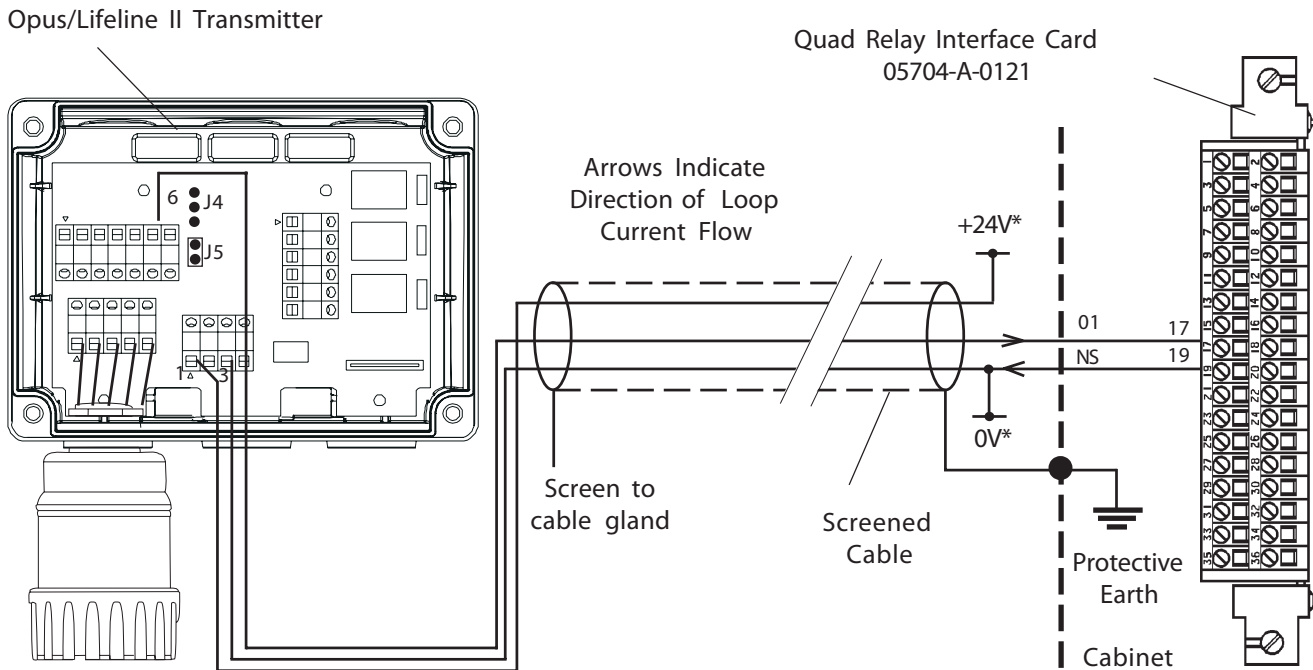
*Note: Terminals 35 and 36 on the Relay Interface Card are input terminals only and cannot be used to power the transmitter.*

The sensor cable screen or steel wire armour (or braid), as appropriate, should be connected to the system (protective) earth. This can be achieved where the cable enters the cabinet by using a metal cable gland, or by other suitable means, and avoiding any screen 'tails' within the cabinet.

Where the cable consists of a separate screen sheath and wire armour (or braid), the armour should be connected, at the cabinet entry, to the protective earth and the screen sheath should be connected to the GROUND terminal of the Quad Relay Interface Card or to a suitable instrument earth point.



# CHAPTER 4 - INSTALLATION INSTRUCTIONS



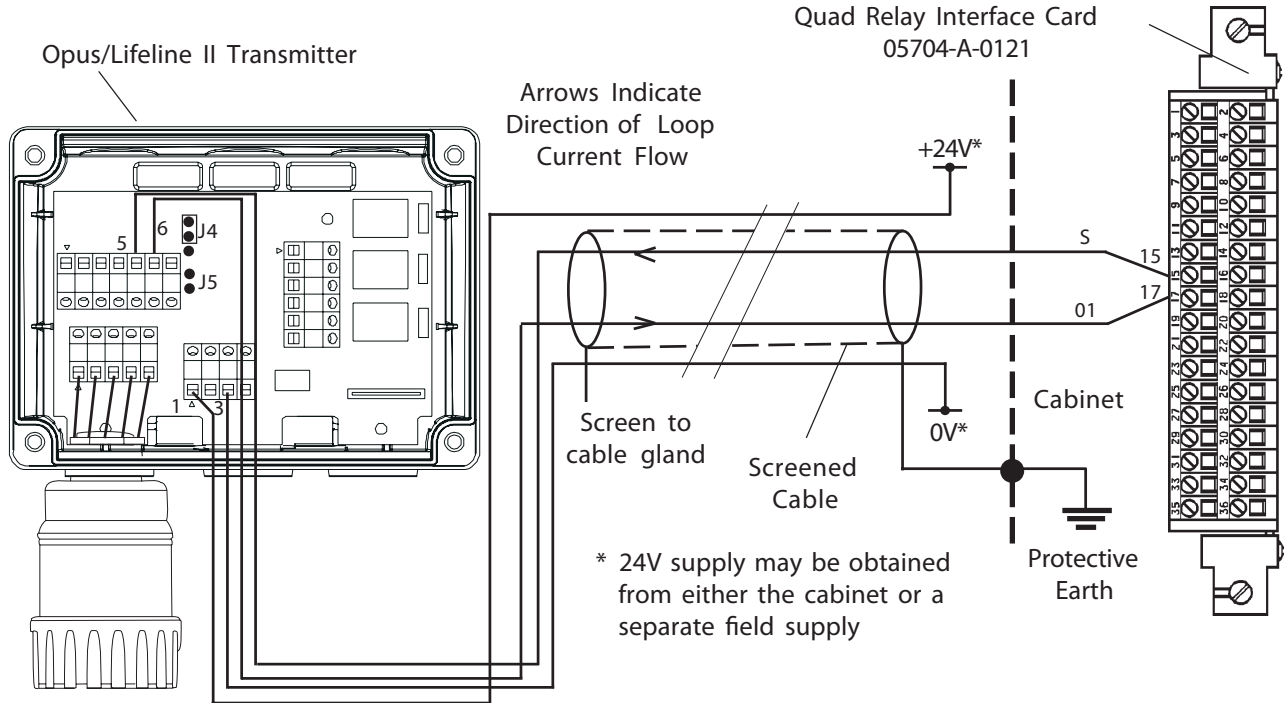
\* 24V supply may be obtained from either the cabinet or a separate field supply

- Notes: 1. Where the sensor is earthed locally, either to the stud or through the sensor casing or mounting, to avoid earth loops the screen sheath should only be connected at one end, i.e. the sensor or at the relay/interface card.
2. The above diagram shows the sensor connections for Channel 1. Channels 2, 3 and 4 connections are similar and their pin connection numbers are shown below:

|                                  | Channel | Sensor Connection |    |
|----------------------------------|---------|-------------------|----|
|                                  |         | 01                | NS |
| Quad Relay Interface Connections | 1       | 17                | 19 |
|                                  | 2       | 18                | 20 |
|                                  | 3       | 23                | 25 |
|                                  | 4       | 24                | 26 |

**Three Wire Control Card Current Sink, Transmitter Current Source Connection for Opus/Lifeline II (Signal Returned to 0V)**

# CHAPTER 4 - INSTALLATION INSTRUCTIONS

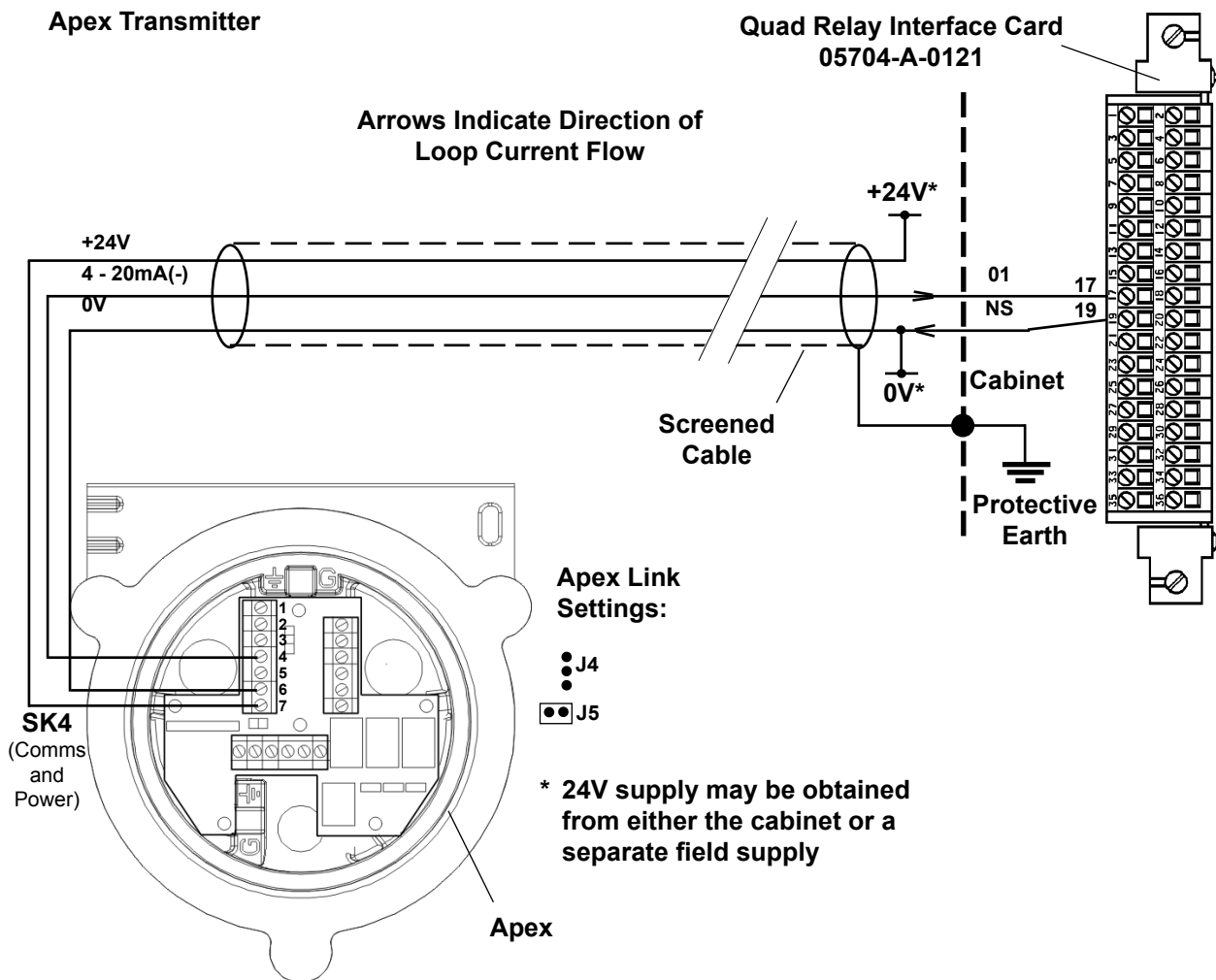


- Notes: 1. Where the sensor is earthed locally, either to the stud or through the sensor casing or mounting, to avoid earth loops the screen sheath should only be connected at one end, i.e. the sensor or at the relay/interface card.
2. The above diagram shows the sensor connections for Channel 1. Channels 2, 3 and 4 connections are similar and their pin connection numbers are shown below:

|                                  | Channel | Transmitter Connection |    |
|----------------------------------|---------|------------------------|----|
|                                  |         | S                      | 01 |
| Quad Relay Interface Connections | 1       | 15                     | 17 |
|                                  | 2       | 16                     | 18 |
|                                  | 3       | 21                     | 23 |
|                                  | 4       | 22                     | 24 |

## Four Wire Isolated Signal Input, Transmitter Connection for Opus/Lifeline II

# CHAPTER 4 - INSTALLATION INSTRUCTIONS



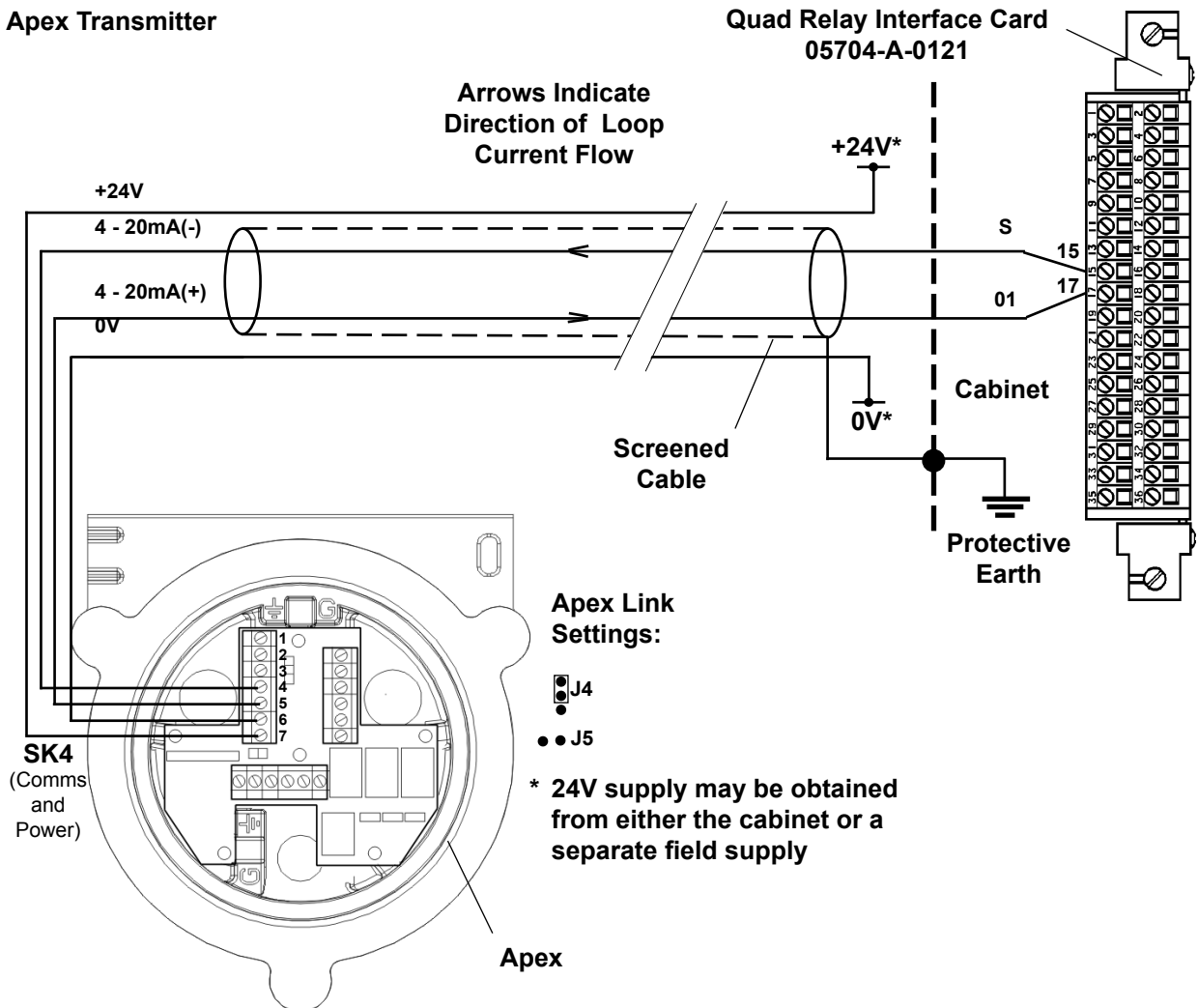
- Notes: 1. The Apex Transmitter should be earthed locally. The transmitter is earthed through the Earth Stud, to avoid earth loops the screen sheath of the cable should only be connected at the transmitter.
2. The above diagram shows the sensor connections for Channel 1. Channels 2, 3 and 4 connections are similar and their pin connection numbers are shown below:

|                                  | Channel | Transmitter Connection |    |
|----------------------------------|---------|------------------------|----|
|                                  |         | 01                     | NS |
| Quad Relay Interface Connections | 1       | 17                     | 19 |
|                                  | 2       | 18                     | 20 |
|                                  | 3       | 23                     | 25 |
|                                  | 4       | 24                     | 26 |

**Three Wire Control Card Current Sink, Transmitter Current Source Connection for Apex (Signal Returned to 0V Supply)**

# CHAPTER 4 - INSTALLATION INSTRUCTIONS

## Apex Transmitter



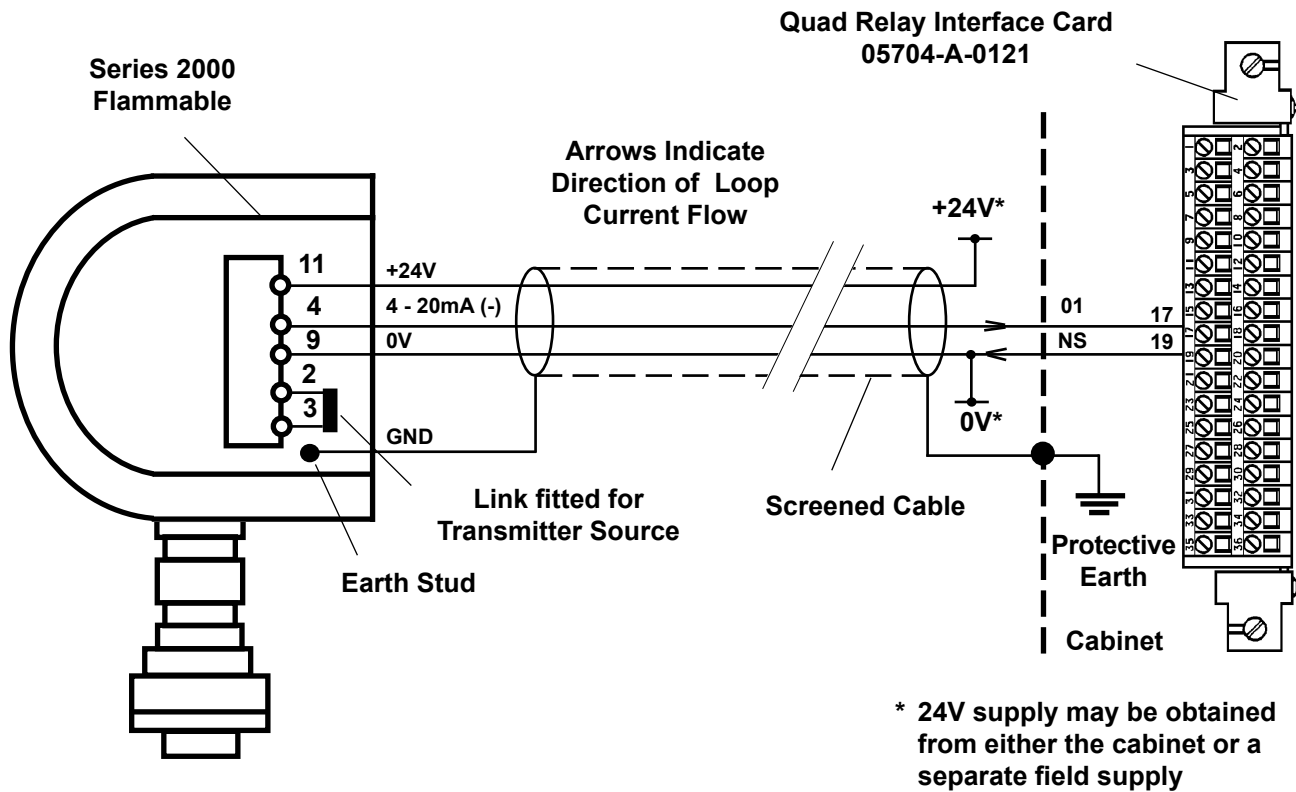
Note: 1. The Apex Transmitter should be earthed locally. The transmitter is earthed through the Earth Stud, to avoid earth loops the screen sheath of the cable should only be connected at the transmitter.

2. The above diagram shows the sensor connections for Channel 1. Channels 2, 3 and 4 connections are similar and their pin connection numbers are shown below:

|                                  | Channel | Transmitter Connection |    |
|----------------------------------|---------|------------------------|----|
|                                  |         | S                      | 01 |
| Quad Relay Interface Connections | 1       | 15                     | 17 |
|                                  | 2       | 16                     | 18 |
|                                  | 3       | 21                     | 23 |
|                                  | 4       | 22                     | 24 |

**Four Wire Isolated Signal Input, Transmitter Connection for Apex**

# CHAPTER 4 - INSTALLATION INSTRUCTIONS

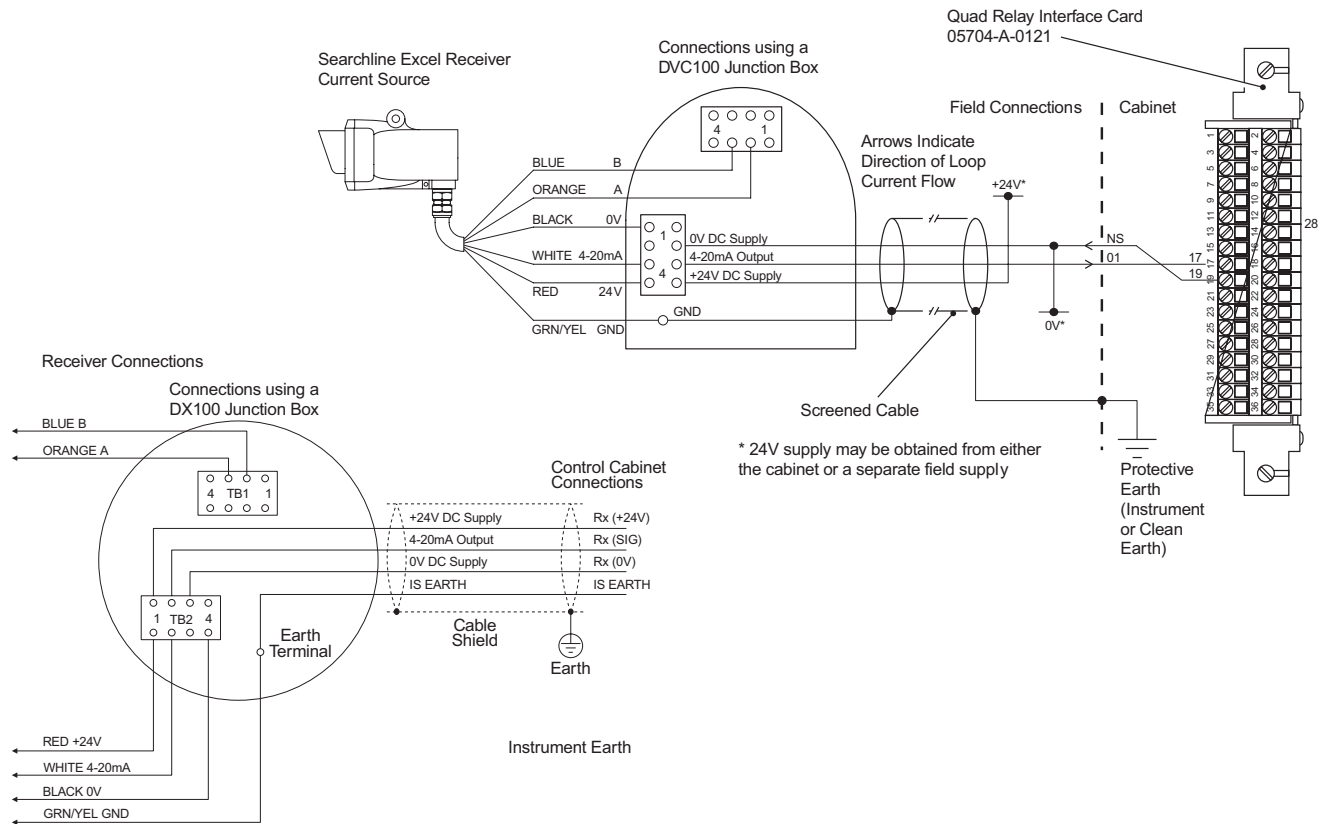


- Notes: 1. Where a sensor is earthed locally, either to an Earth Stud or through the sensor casing or mounting, to avoid earth loops the screen sheath of the cable should only be connected at one end.
2. The above diagram shows the sensor connections for Channel 1. Channels 2, 3 and 4 connections are similar and their pin connection numbers are shown below:

|                                  | Channel | Sensor Connection |    |
|----------------------------------|---------|-------------------|----|
|                                  |         | 01                | NS |
| Quad Relay Interface Connections | 1       | 17                | 19 |
|                                  | 2       | 18                | 20 |
|                                  | 3       | 23                | 25 |
|                                  | 4       | 24                | 26 |

**Three Wire Control Card Current Sink, Transmitter Current Source Connection for Series 2000 Flammable (Signal Returned to 0V)**

# CHAPTER 4 - INSTALLATION INSTRUCTIONS

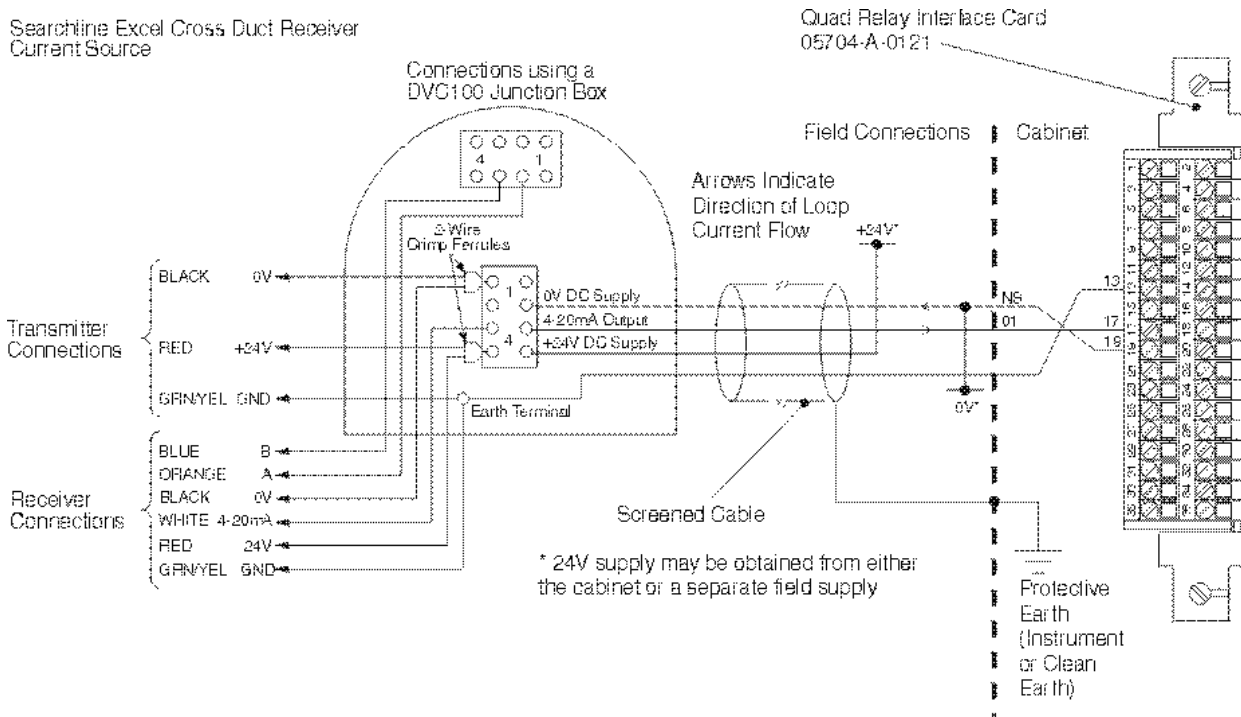


- Notes:**
1. Where a sensor is earthed locally, either to an Earth Stud or through the sensor casing or mounting, to avoid earth loops the screen sheath of the cable should only be connected at one end.
  2. The above diagram shows the sensor connections for Channel 1. Channels 2, 3 and 4 connections are similar and their pin connection numbers are shown below:

|                                  | Channel | Sensor Connection |    |
|----------------------------------|---------|-------------------|----|
|                                  |         | 01                | NS |
| Quad Relay Interface Connections | 1       | 17                | 19 |
|                                  | 2       | 18                | 20 |
|                                  | 3       | 23                | 25 |
|                                  | 4       | 24                | 26 |

**Three Wire Control Card Current Sink, Transmitter Current Source Connection for Searchline Excel (Signal Returned to 0V)**

# CHAPTER 4 - INSTALLATION INSTRUCTIONS

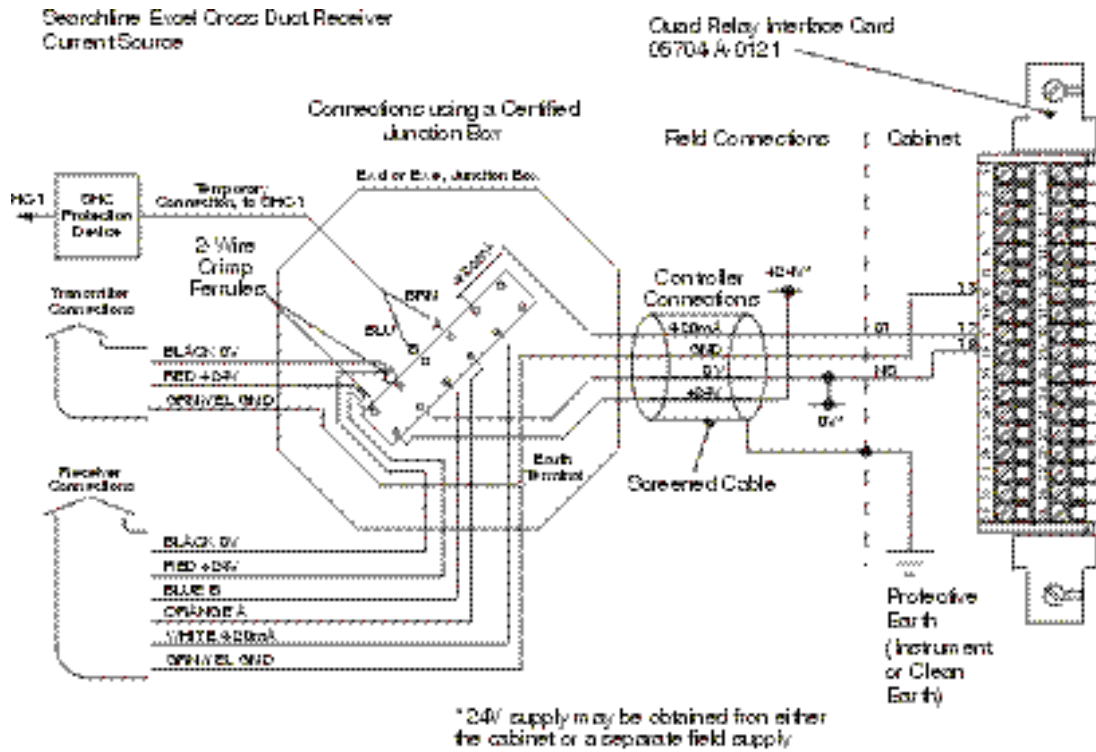


- Notes: 1. Where a sensor is earthed locally, either to an Earth Stud or through the sensor casing or mounting, to avoid earth loops the screen sheath of the cable should only be connected at one end.
2. The above diagram shows the sensor connections for Channel 1. Channels 2, 3 and 4 connections are similar and their pin connection numbers are shown below:

|                                  | Channel | Sensor Connection |    |        |
|----------------------------------|---------|-------------------|----|--------|
|                                  |         | 01                | NS | Ground |
| Quad Relay Interface Connections | 1       | 17                | 19 | 13     |
|                                  | 2       | 18                | 20 | 14     |
|                                  | 3       | 23                | 25 | 13     |
|                                  | 4       | 24                | 26 | 14     |

**Three Wire Control Card Current Sink, Transmitter Current Source Connection for Searchline Excel Cross Duct (Signal Returned to 0V)**

# CHAPTER 4 - INSTALLATION INSTRUCTIONS



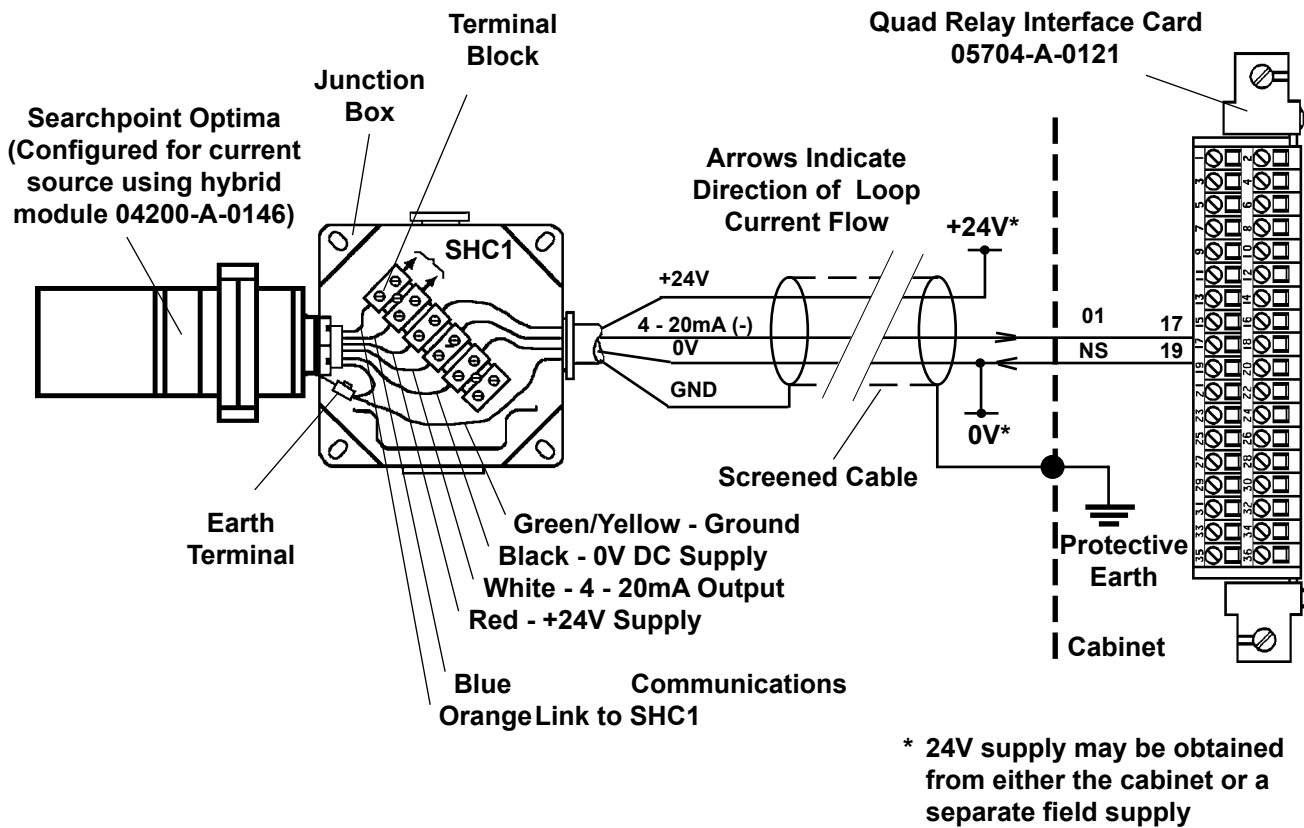
- Notes: 1. Where a sensor is earthed locally, either to an Earth Stud or through the sensor casing or mounting, to avoid earth loops the screen sheath of the cable should only be connected at one end.
2. The above diagram shows the sensor connections for Channel 1. Channels 2, 3 and 4 connections are similar and their pin connection numbers are shown below:

|                                  | Channel | Sensor Connection |    |        |
|----------------------------------|---------|-------------------|----|--------|
|                                  |         | 01                | NS | Ground |
| Quad Relay Interface Connections | 1       | 17                | 19 | 13     |
|                                  | 2       | 18                | 20 | 14     |
|                                  | 3       | 23                | 25 | 13     |
|                                  | 4       | 24                | 26 | 14     |

**Three Wire Control Card Current Sink, Transmitter Current Source Connection for Searchline Excel Cross Duct (Signal Returned to 0V)**



# CHAPTER 4 - INSTALLATION INSTRUCTIONS

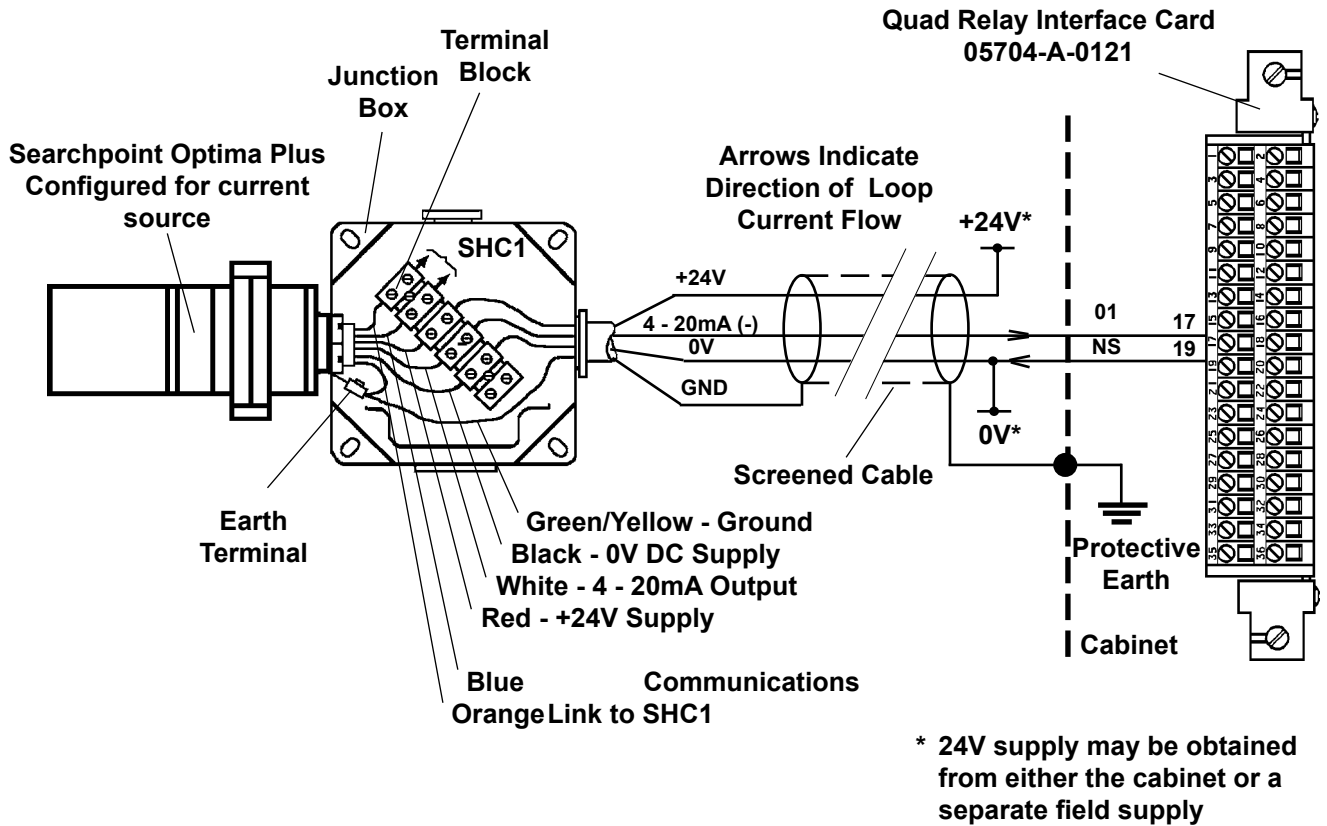


- Notes: 1. Where a sensor is earthed locally, either to an Earth Stud or through the sensor casing or mounting, to avoid earth loops the screen sheath of the cable should only be connected at one end.
2. The above diagram shows the sensor connections for Channel 1. Channels 2, 3 and 4 connections are similar and their pin connection numbers are shown below:

|                                  | Channel | Sensor Connection |    |
|----------------------------------|---------|-------------------|----|
|                                  |         | 01                | NS |
| Quad Relay Interface Connections | 1       | 17                | 19 |
|                                  | 2       | 18                | 20 |
|                                  | 3       | 23                | 25 |
|                                  | 4       | 24                | 26 |

**Three Wire Control Card Current Sink, Transmitter Current Source Connection for Searchpoint Optima (Signal Returned to 0V)**

# CHAPTER 4 - INSTALLATION INSTRUCTIONS

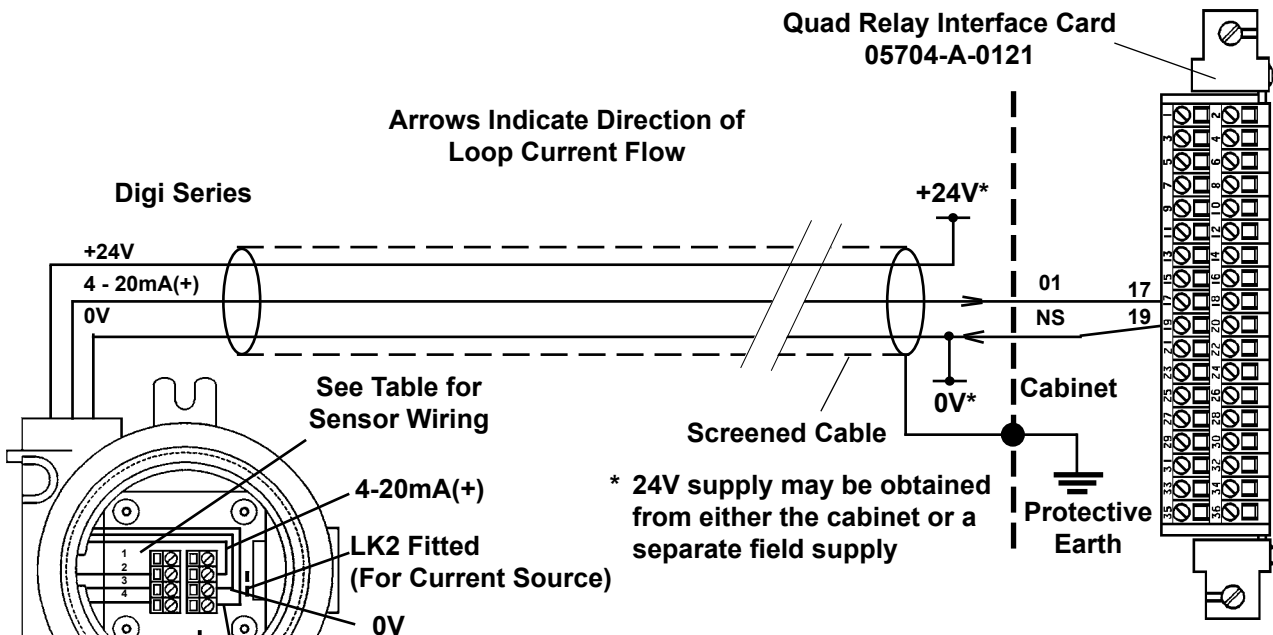


- Notes: 1. Where a sensor is earthed locally, either to an Earth Stud or through the sensor casing or mounting, to avoid earth loops the screen sheath of the cable should only be connected at one end.
2. The above diagram shows the sensor connections for Channel 1. Channels 2, 3 and 4 connections are similar and their pin connection numbers are shown below:

|                                  | Channel | Sensor Connection |    |
|----------------------------------|---------|-------------------|----|
|                                  |         | 01                | NS |
| Quad Relay Interface Connections | 1       | 17                | 19 |
|                                  | 2       | 18                | 20 |
|                                  | 3       | 23                | 25 |
|                                  | 4       | 24                | 26 |

**Three Wire Control Card Current Sink, Transmitter Current Source Connection for Searchpoint Optima Plus (Signal Returned to 0V)**

# CHAPTER 4 - INSTALLATION INSTRUCTIONS



| Block<br>Wiring<br>Terminal | Sensor Connections    |        |                  |        |                      |        |
|-----------------------------|-----------------------|--------|------------------|--------|----------------------|--------|
|                             | Digi-Cat<br>Catalytic |        | Digi-Chem<br>ECC |        | Digi-Ana<br>Analogue |        |
|                             | Signal                | Colour | Signal           | Colour | Signal               | Colour |
| 1                           | GND                   | -      | GND              | -      | -                    | -      |
| 2                           | NS                    | Blue   | C                | Brown  | 01                   | Brown* |
| 3                           | C/T                   | White  | R                | White  | 0V/NS                | Blue*  |
| 4                           | S                     | Brown  | W                | Blue   | +24V                 |        |

\* Valid for 811 and 911. For other sensors, see sensor documentation.

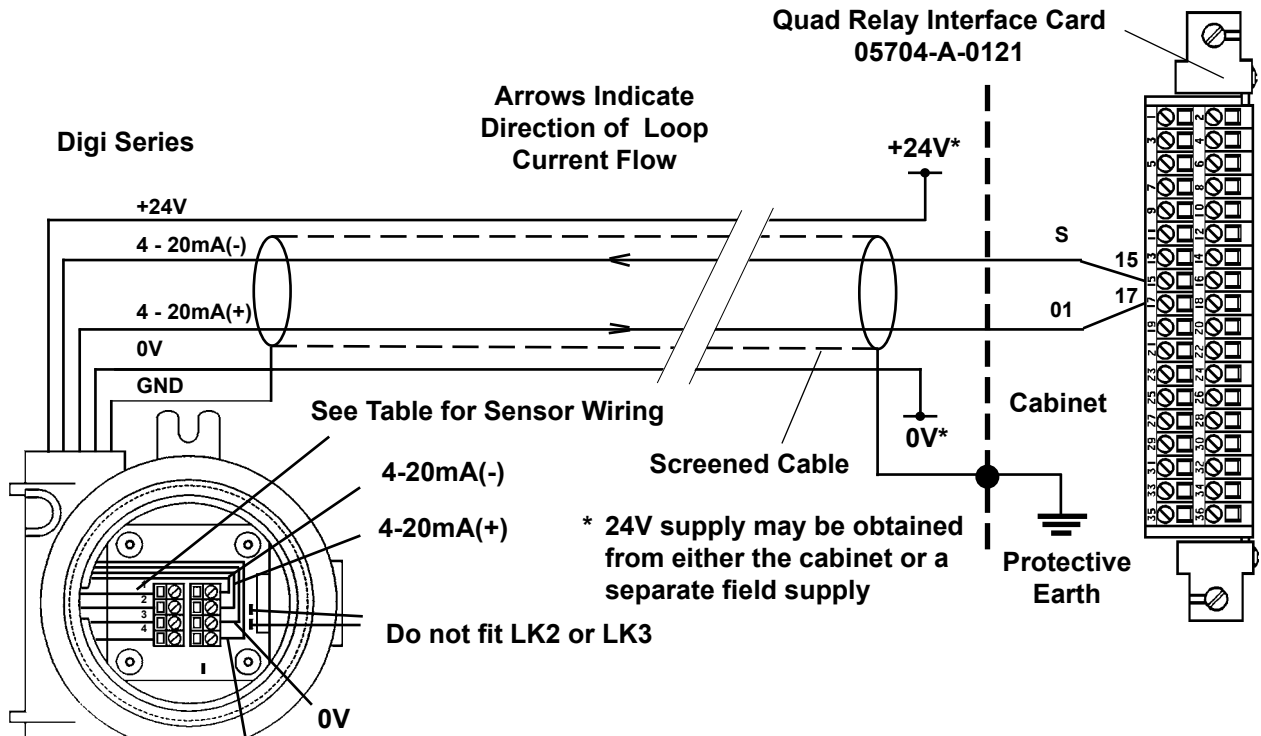
Notes: 1. Where a sensor is earthed locally, either to the Earth Stud or through the sensor casing or mounting, to avoid earth loops the screen sheath of the cable should only be connected at one end.

2. The above diagram shows the sensor connections for Channel 1. Channels 2, 3 and 4 connections are similar and their pin connection numbers are shown below:

|                                     | Channel | Transmitter Connection |    |
|-------------------------------------|---------|------------------------|----|
|                                     |         | 01                     | NS |
| Quad Relay<br>Interface Connections | 1       | 17                     | 19 |
|                                     | 2       | 18                     | 20 |
|                                     | 3       | 23                     | 25 |
|                                     | 4       | 24                     | 26 |

**Three Wire Control Card Current Sink, Transmitter Current Source Connection for Digi Series (Signal Returned to 0V Supply)**

# CHAPTER 4 - INSTALLATION INSTRUCTIONS



Sensors: 704 705  
783 811  
910 911

| Block<br>Wiring<br>Terminal | Sensor Connections    |        |                  |        |                      |        |
|-----------------------------|-----------------------|--------|------------------|--------|----------------------|--------|
|                             | Digi-Cat<br>Catalytic |        | Digi-Chem<br>ECC |        | Digi-Ana<br>Analogue |        |
|                             | Signal                | Colour | Signal           | Colour | Signal               | Colour |
| 1                           | GND                   | -      | GND              | -      | S                    | -      |
| 2                           | NS                    | Blue   | C                | Brown  | 01                   | Brown* |
| 3                           | C/T                   | White  | R                | White  | 0V                   | Blue*  |
| 4                           | S                     | Brown  | W                | Blue   | +24V                 |        |

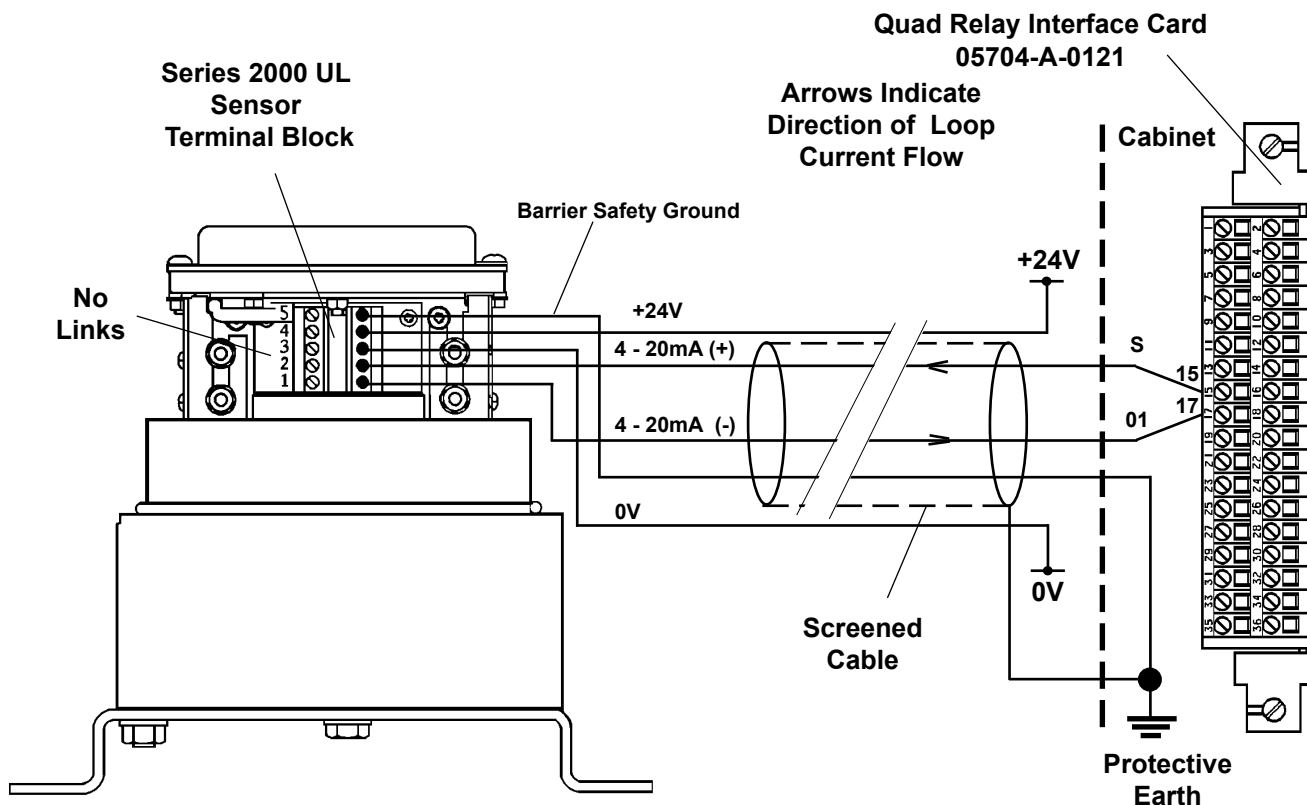
\* Valid for 811 and 911. For other sensors, see sensor documentation.

*Note: The above diagram shows the sensor connections for Channel 1. Channels 2, 3 and 4 connections are similar and their pin connection numbers are shown below:*

|                                  | Channel | Transmitter Connection |    |
|----------------------------------|---------|------------------------|----|
|                                  |         | S                      | 01 |
| Quad Relay Interface Connections | 1       | 15                     | 17 |
|                                  | 2       | 16                     | 18 |
|                                  | 3       | 21                     | 23 |
|                                  | 4       | 22                     | 24 |

**Four Wire Isolated Signal Input, Transmitter Current Sink Connection for Digi Series**

# CHAPTER 4 - INSTALLATION INSTRUCTIONS



*Note: The above diagram shows the sensor connections for Channel 1. Channels 2, 3 and 4 connections are similar and their pin connection numbers are shown below:*

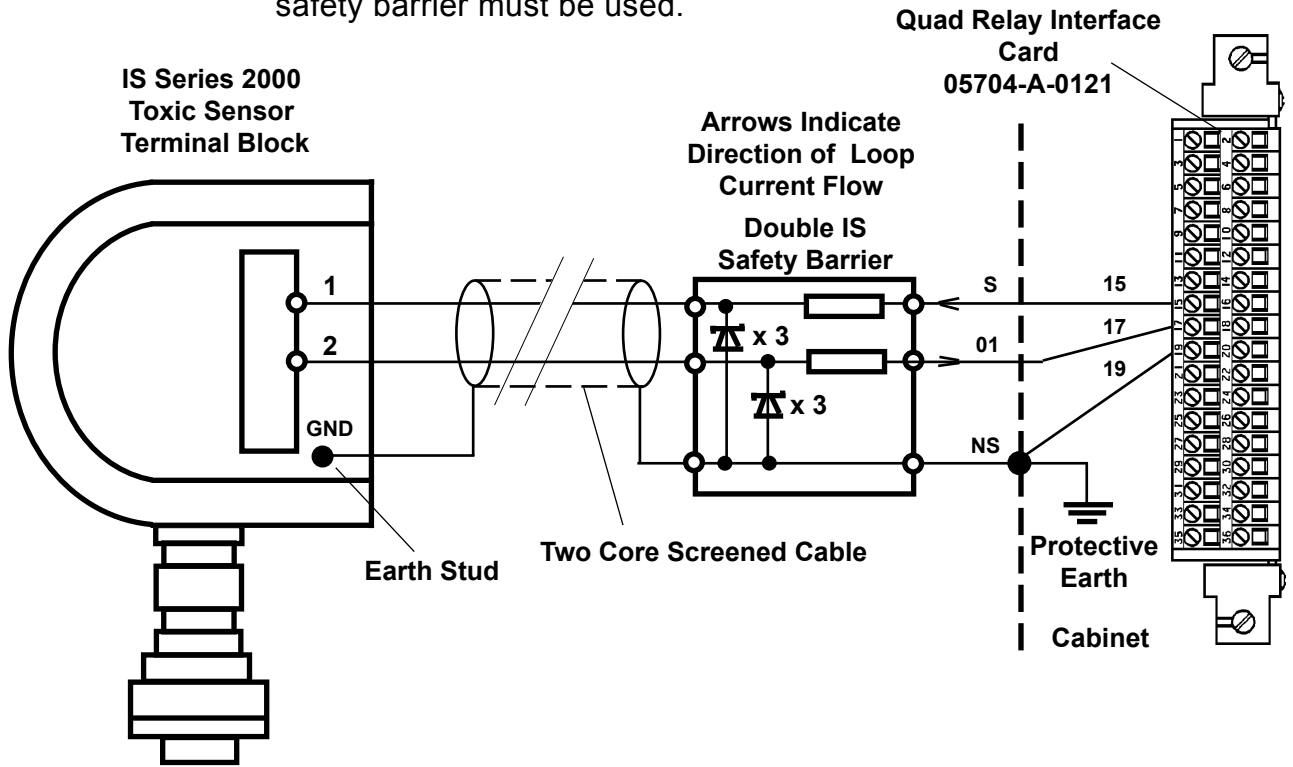
|                                  | Channel | Sensor Connection |    |
|----------------------------------|---------|-------------------|----|
|                                  |         | S                 | 01 |
| Quad Relay Interface Connections | 1       | 15                | 17 |
|                                  | 2       | 16                | 18 |
|                                  | 3       | 21                | 23 |
|                                  | 4       | 22                | 24 |

**Four Wire Floating Signal Input, Transmitter Current Sink Connection**

# CHAPTER 4 - INSTALLATION INSTRUCTIONS

## 12.5 IS Transmitter Connections

If the measuring resistance is in the negative supply line, a double safety barrier must be used.



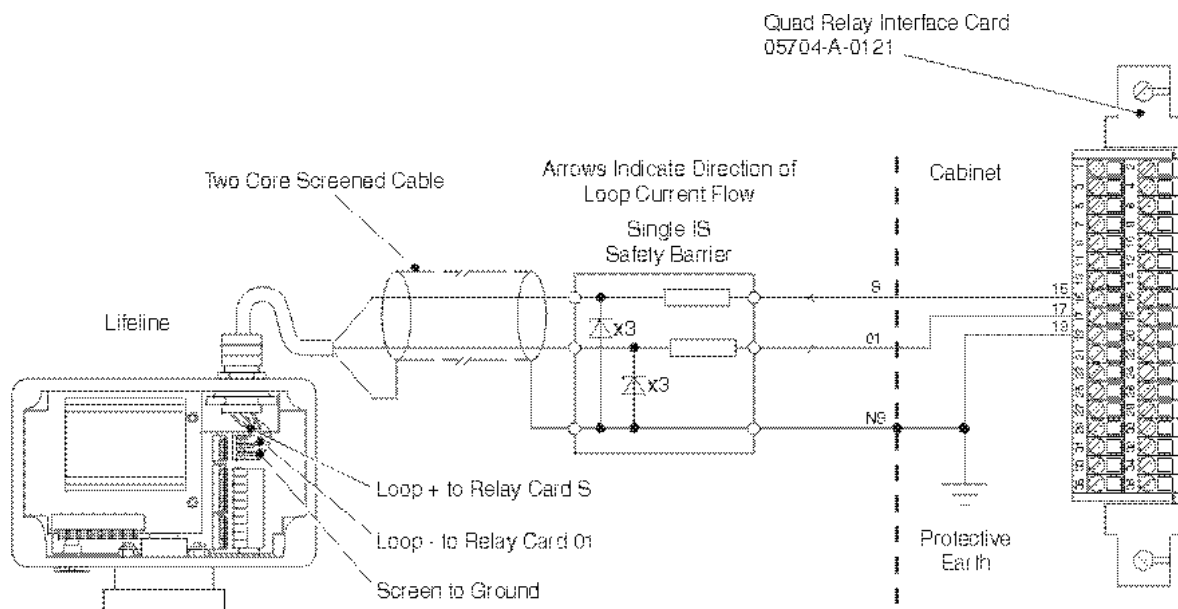
*Note: The above diagram shows the sensor connections for Channel 1. The connections for Channels 2, 3 and 4 are similar and their pin connection numbers are shown below:*

|                                  | Channel | Sensor Connection |    |    |
|----------------------------------|---------|-------------------|----|----|
|                                  |         | S                 | 01 | 0V |
| Quad Relay Interface Connections | 1       | 15                | 17 | 19 |
|                                  | 2       | 16                | 18 | 20 |
|                                  | 3       | 21                | 23 | 25 |
|                                  | 4       | 22                | 24 | 26 |

**IS Series 2000 Toxic Sensor With Double Safety Barrier**

# CHAPTER 4 - INSTALLATION INSTRUCTIONS

If the measuring resistance is in the negative supply line, a double safety barrier must be used.



**Note 1:** \*To ensure that the input circuit is properly referred to the safety barrier it is necessary to connect the isolated 0V to the barrier ground.

**2:** The above diagram shows the sensor connections for Channel 1. The connections for Channels 2, 3 and 4 are similar and their pin connection numbers are shown below:

|                                  | Channel | Sensor Connection |    |    |
|----------------------------------|---------|-------------------|----|----|
|                                  |         | S                 | 01 | 0V |
| Quad Relay Interface Connections | 1       | 15                | 17 | 19 |
|                                  | 2       | 16                | 18 | 20 |
|                                  | 3       | 21                | 23 | 25 |
|                                  | 4       | 22                | 24 | 26 |

**IS Lifeline Sensor With Double Safety Barrier**

# CHAPTER 4 - INSTALLATION INSTRUCTIONS

## 13. OUTPUT CONNECTIONS

### 13.1 Relay Outputs

*Note: The **FAULT** relay is permanently configured for normally **ENERGISED** operation in the non-fault condition.*



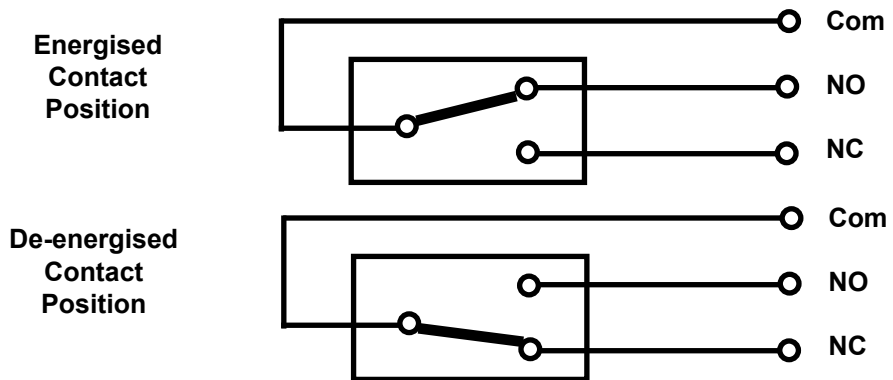
#### CAUTION

When mains ac is connected to the relay contacts:

- a. The ac supply should be fused at 5A maximum.
- b. A safety earth connection should be made to the ground terminal of the relay card.

There are two relay card types providing different levels of alarm relay capability (See Chapter 2 Section 5).

The cabling to the relays should where possible be kept away from the sensor cabling, especially those cables carrying mains supplies. The following figure shows the relay contact connections as shown on the terminal block.



**De-energised and Energised Relays Showing Contact Positions**

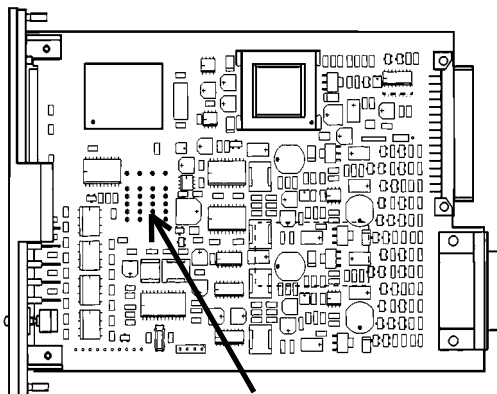
The alarm relays may be configured for either normally de-energised or normally energised operation. Check the configuration sheet supplied with the system to determine the operating mode of the relays on each channel. The energisation mode of the relays can be reconfigured easily using a computer attached to the Engineering Port. Contact Honeywell Analytics or your local agent for more information.



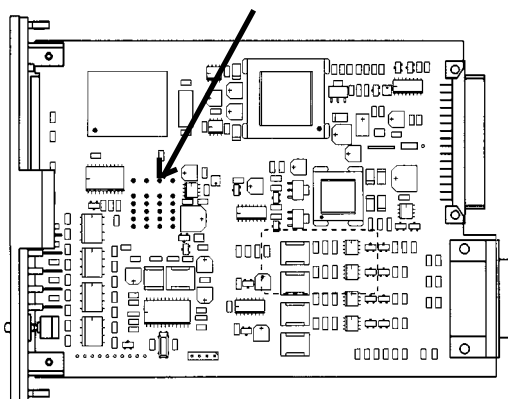
# CHAPTER 4 - INSTALLATION INSTRUCTIONS

## 13.2 Analogue Output

Analogue Output Modules, when fitted, plug into the Four Channel Control Card as shown below:



**Plug-in Sockets for Analogue Output Modules:**  
**04200-A-0145 Sink**  
**04200-A-0146 Source**  
(From left to right - Channel 1 2 3 4)



### CAUTION

**Connecting the analogue output to a loop voltage in excess of 40V may cause permanent damage to the analogue output module.**

The Analogue Output Modules provides a current loop output that follows each sensor signal level. The loop output is isolated from the control card supply and provides:

- a. fully isolated operation per card when powered from an external supply.
- b. Non-isolated operation when powered from the System 57 power supply.

The analogue outputs can be configured for 0 - 20mA or 4 - 20mA output modes. Check the configuration sheet supplied with the system

# CHAPTER 4 - INSTALLATION INSTRUCTIONS

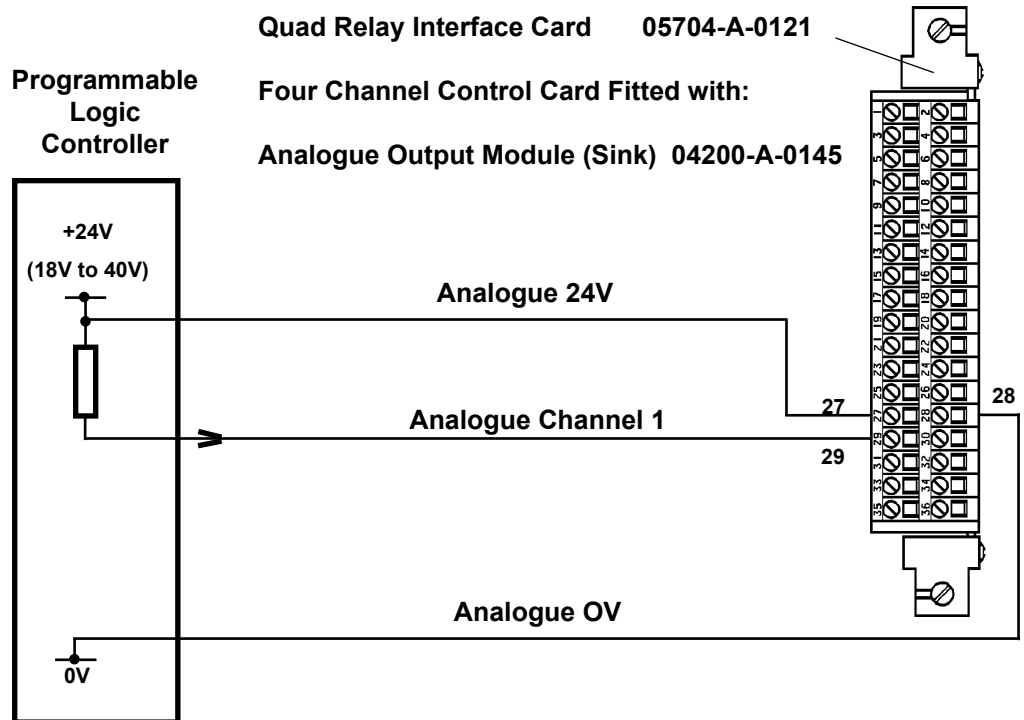
to determine the factory configured operating mode. The operating mode can be reconfigured easily using a computer attached to the Engineering Port. Contact Honeywell Analytics or your local agent for more information.

*Note: With software versions prior to 1V6, the analogue output signal may not properly reflect the sensor signal when the sensor signal is outside the normal measuring range.*

The analogue outputs can be connected to voltage input device (eg. chart recorders) by including an external sense resistor in series with each loop and connecting the device input in parallel with the resistor. ie. Use a 100 ohm resistor and select an input range of 2V on the chart recorder.

The recommended connections are:

|                                  | Channel | Analogue Output | Power Supply |     |
|----------------------------------|---------|-----------------|--------------|-----|
|                                  |         |                 | 0V           | 24V |
| Quad Relay Interface Connections | 1       | 29              | 28           | 27  |
|                                  | 2       | 30              | 28           | 27  |
|                                  | 3       | 31              | 28           | 27  |
|                                  | 4       | 32              | 28           | 27  |



**Isolated Analogue Output Connection with Power Sourced from Programmable Logic Controller Using Sink Module**

# CHAPTER 4 - INSTALLATION INSTRUCTIONS

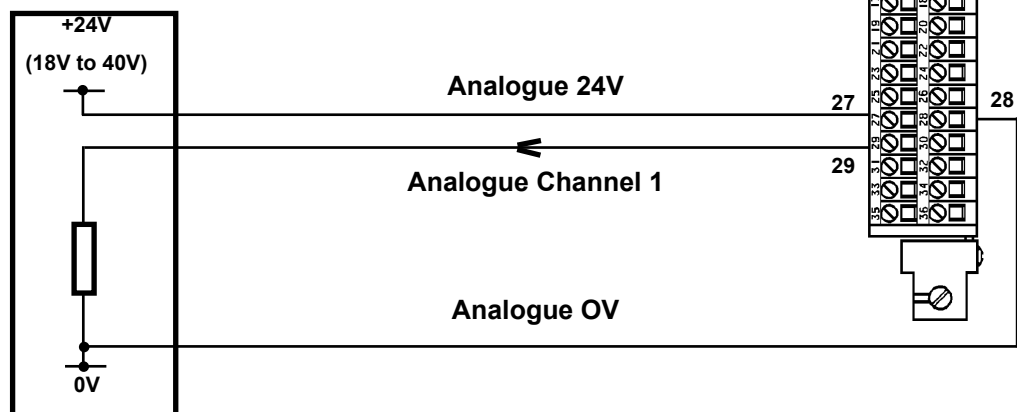
|                       | Channel | Analogue Output | Power Supply |     |
|-----------------------|---------|-----------------|--------------|-----|
|                       |         |                 | 0V           | 24V |
| Quad Relay            | 1       | 29              | 28           | 27  |
| Interface Connections | 2       | 30              | 28           | 27  |
|                       | 3       | 31              | 28           | 27  |
|                       | 4       | 32              | 28           | 27  |

**Quad Relay Interface Card 05704-A-0121**

**Four Channel Control Card Fitted with:**

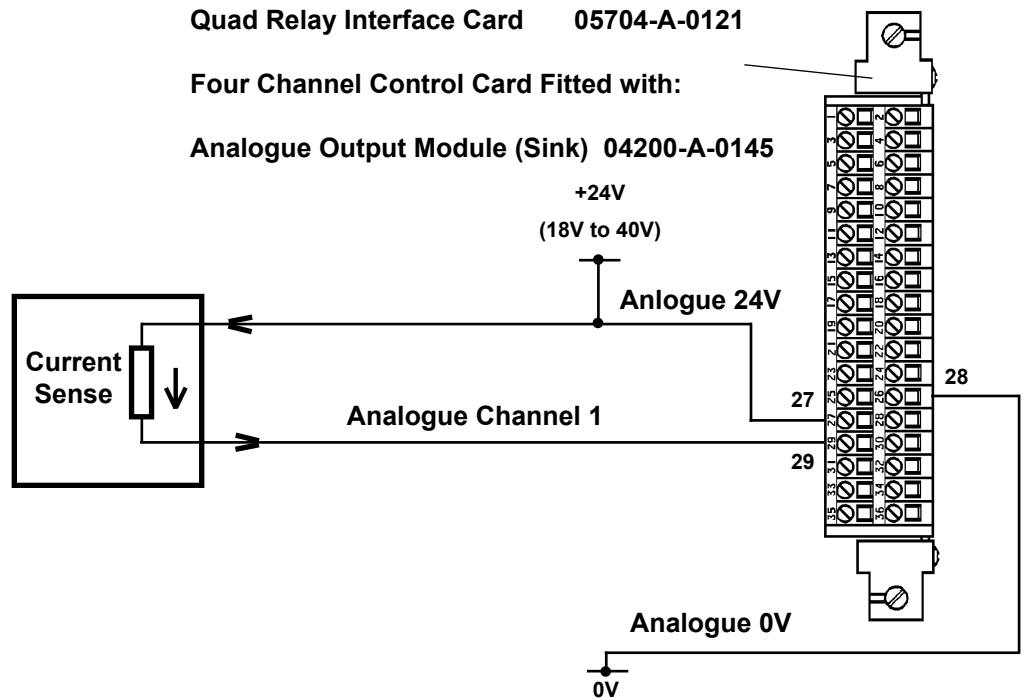
**Analogue Output Module (Source) 04200-A-0146**

**Programmable Logic Controller**

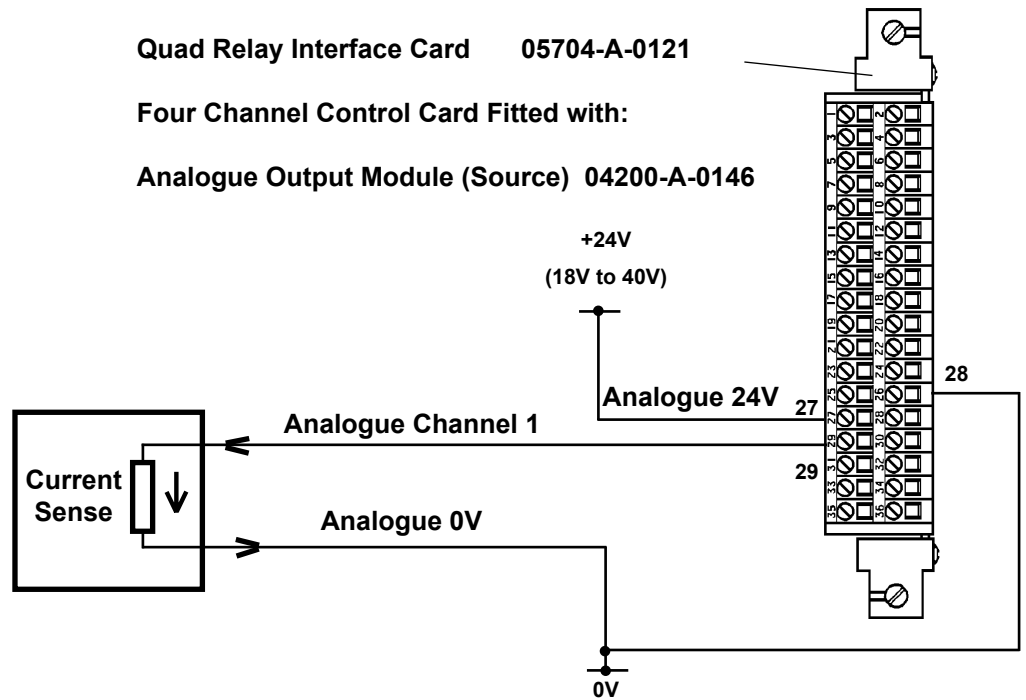


**Isolated Analogue Output Connection with Power Sourced from Programmable Logic Controller Using Source Module**

# CHAPTER 4 - INSTALLATION INSTRUCTIONS

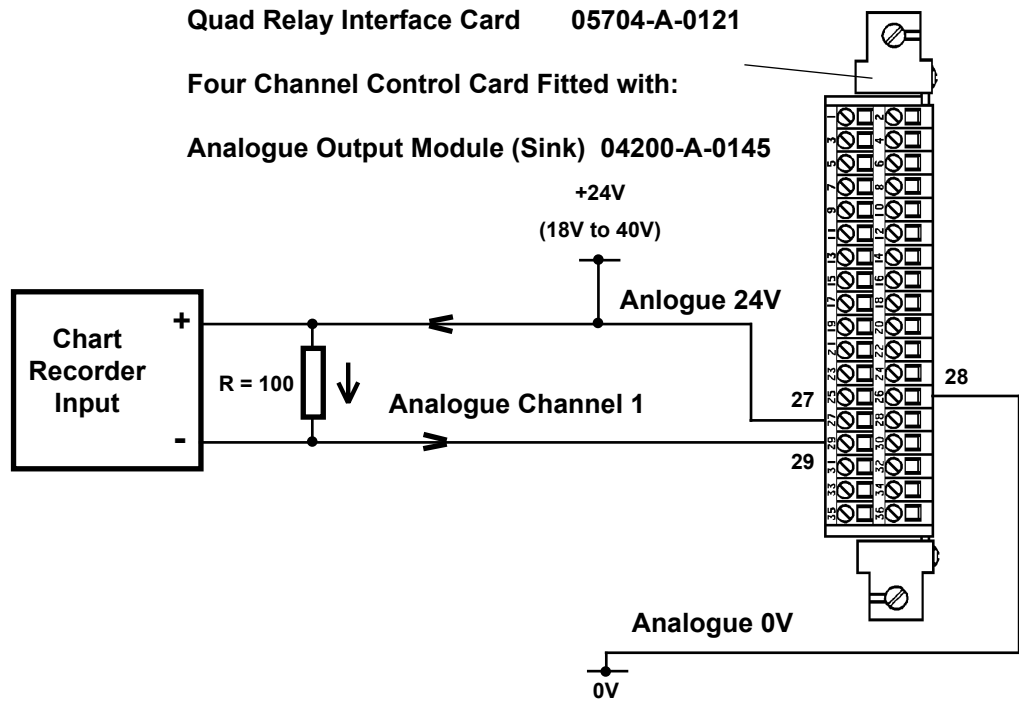


## Non-isolated Analogue Output Connection with Power from System 57 Using Sink Module

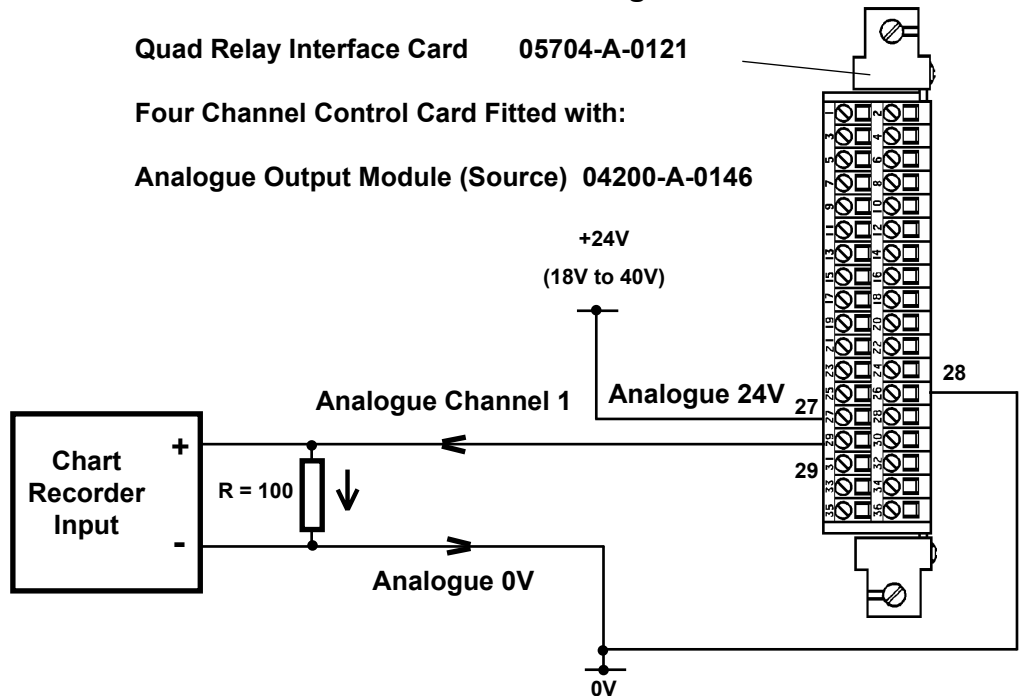


## Non-isolated Analogue Output Connection with Power from System 57 Using Source Module

# CHAPTER 4 - INSTALLATION INSTRUCTIONS



## Analogue Output Connection with 100 Ohm Sense Resistor and Parallel Chart Recorder Using Sink Module



## Analogue Output Connection with 100 Ohm Sense Resistor and Parallel Chart Recorder Using Source Module

---

# CHAPTER 4 - INSTALLATION INSTRUCTIONS

---

## 14. REMOTE INPUT CONNECTIONS



### CAUTION

**Connecting voltages in excess of 32V to the remote inputs may cause permanent damage to the Four Channel Control Card.**

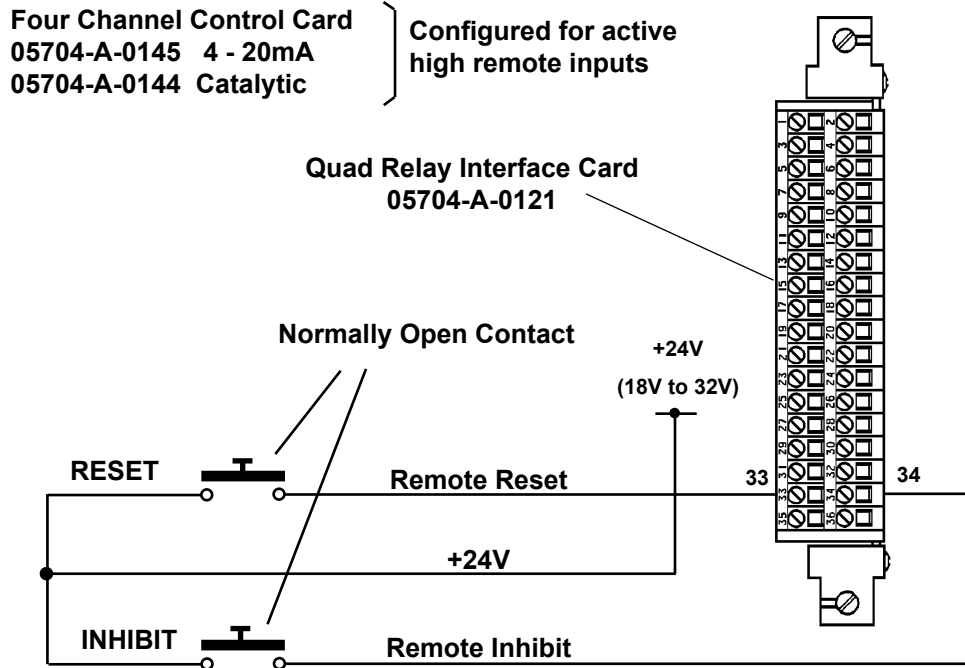
There are two remote inputs, RESET and INHIBIT, which are individually configurable for active high or active low operating modes. Each input is common to all four channels of the Four Channel Control Card. Check the configuration sheet supplied with the system to determine the factory configured operating modes. The operating mode can be reconfigured easily using a computer attached to the Engineering Port. Contact Honeywell Analytics or your local agent for more information.

The switching level of the remote input pins (when enabled) is approximately +2V with respect to the dc system 0V. The inputs require less than 5mA drive current and irrespective of configuration are internally pulled down to system 0V.

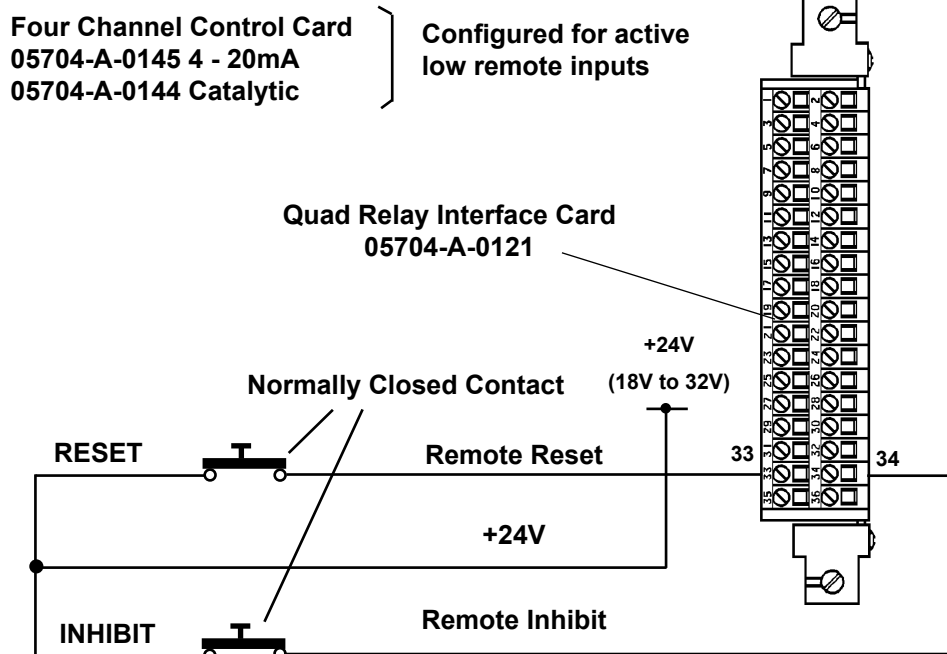
Active high remote inputs may be left unconnected or can be connected to +24V via a normally open contact. The remote input will operate whenever the contact closes.

Active low remote inputs may be connected to +24V via a normally closed contact. The remote input will operate whenever the contact opens. **Do not leave active low inputs unconnected.**

# CHAPTER 4 - INSTALLATION INSTRUCTIONS



**Active High Remote Input Connected via Normally Open Voltage Free Contact to +24V**



**Active Low Remote Input Connected via Normally Closed Voltage Free Contact to +24V**

# CHAPTER 4 - INSTALLATION INSTRUCTIONS

## 15. DC POWER CONNECTIONS

### 15.1 General



#### CAUTION

The ratings of power supplies should be checked by calculating a system power budget as outlined in Section 5.

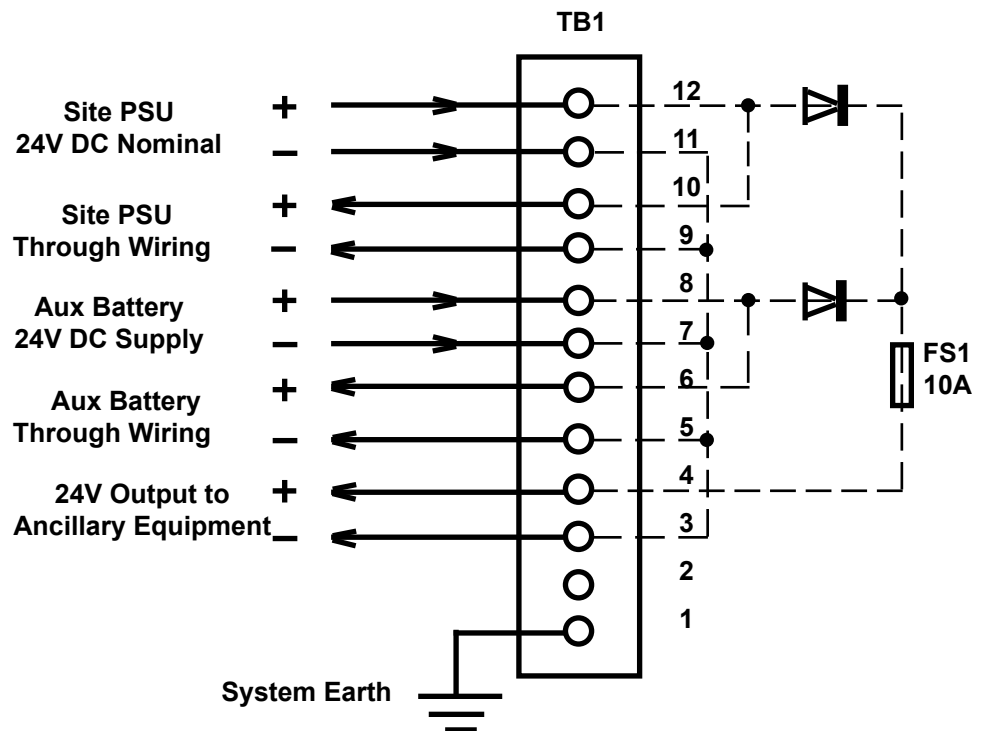
#### IMPORTANT

The System 57 must be earthed

DC power is connected to the System 57 via the DC Input Card terminal block TB1 and via the Quad Relay Interface Cards.

The DC Input Card provides diode isolation to permit the connection of two separate power supplies. eg. A mains derived dc power supply and battery backup dc supply. Note that current will be drawn from the supply input with the highest voltage and in some circumstances current will be shared between the two inputs. Each of the two inputs have twin +24V and 0V terminals for easy through power connection or paralleling of input sources.

A fused +24V output, which is the combination of both dc inputs, is provided for powering ancillary devices.



Site DC Supply and Auxiliary Battery Backup DC Power Supply Connections, With Through Wiring



# CHAPTER 4 - INSTALLATION INSTRUCTIONS

## 15.2 Individually Powered Control Cards

- Notes: 1. *In individually powered control systems a DC connection is still required to the DC Input Card in order to provide power to the Engineering Card.*
2. *The supply to each control card must be externally fuse rated at 2A maximum.*

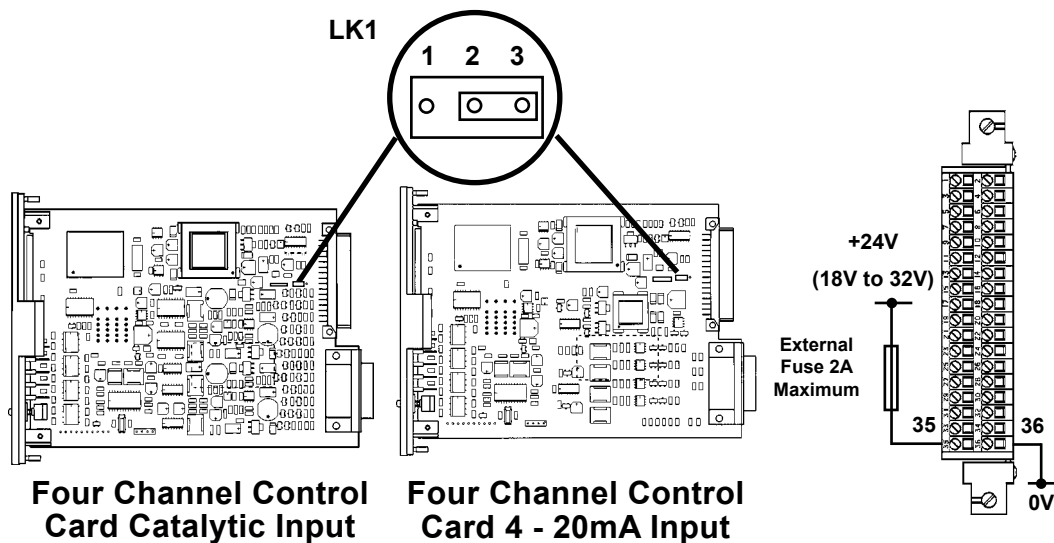
Individually powered control cards may be required for two reasons:

- a. Where the local or other regulations dictate individual connections in order to achieve the highest integrity for power distribution.
- b. In densely populated racks to reduce the current load on the backplane.

The System 57 DC Input Card supply is fused at 10A and to ensure reliable operation of the system, the maximum continuous current flow in the rack backplane should be less than 8A. In 16 channel racks, substantially populated with four channel catalytic control cards, this backplane current can be exceeded, especially where long sensor cable runs are present. Therefore, as a general rule, where more than eight catalytic control cards are used in a single rack, these should be powered using the individually powered scheme.

Individual powering of a four channel control card is easily achieved as follows:

- (1) On the Four Channel Control Card, remove the link LK1 from position 1 - 2 and refit in position 2 - 3 as shown below:



- (2) Wire the +24V DC power supply to the respective Quad Relay Interface Card terminals 35 (+24V) and 36 (0V) as shown above:

---

# CHAPTER 4 - INSTALLATION INSTRUCTIONS

---

## 16. AC TO DC POWER SUPPLY UNIT CONNECTIONS

### WARNING

The AC to DC Power Supply Unit must be earthed.

The input supply to the AC to DC Power Supply Unit may be:

- a. an ac supply of 85V to 264V at 47Hz to 440Hz.
- b. a dc supply of 110V to 340V (Refer to Honeywell Analytics for information on dc supplies).



The supply must be fused at 6A maximum at the supply source. eg. At the distribution panel. Where additional cabling is used this must be mains rated for a minimum of 6A.

Two cables emerge from the rear of the AC to DC Power Supply Unit:

- a. AC Input

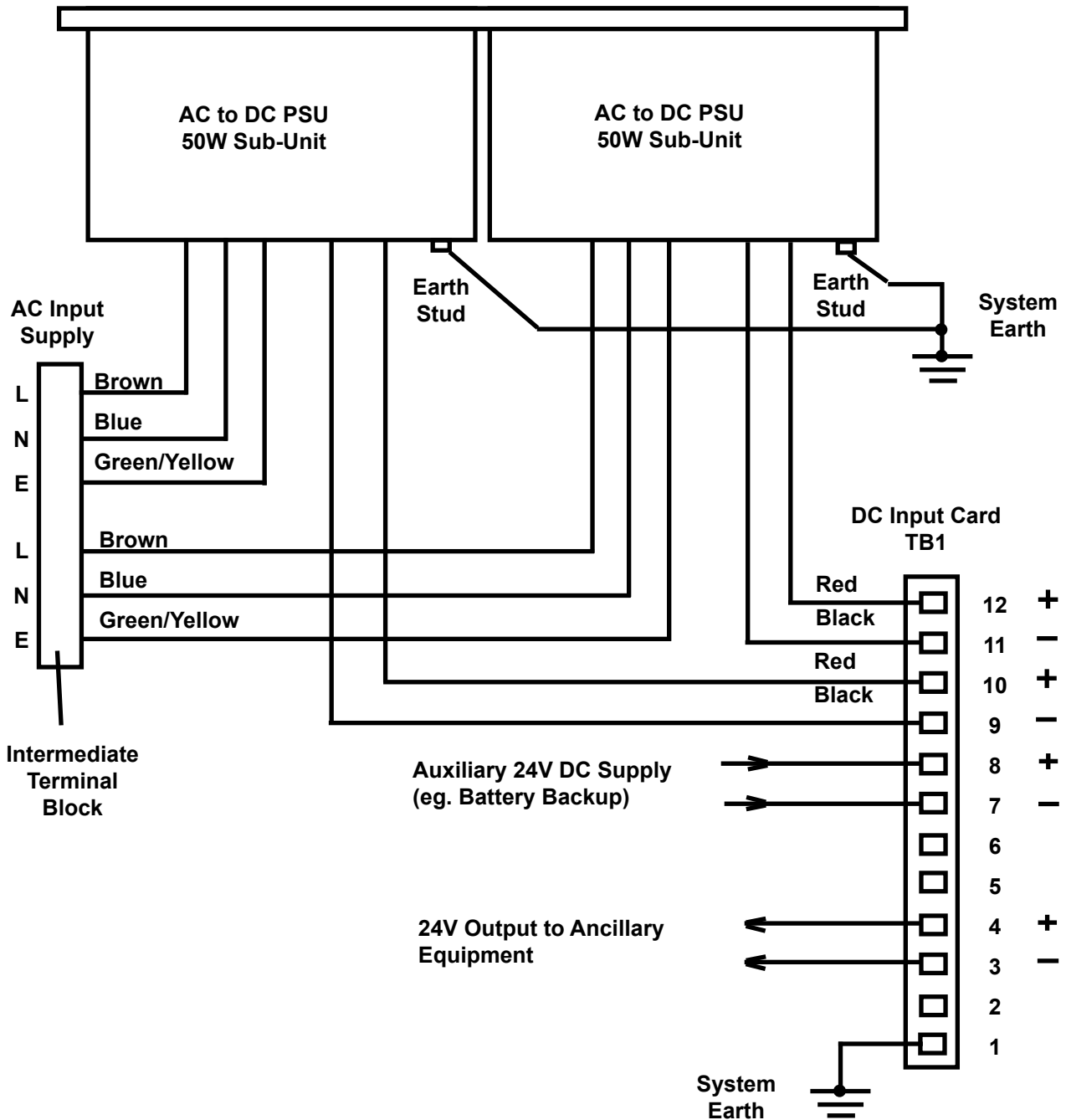
The ac supply cable connections are colour coded BROWN - LIVE, BLUE - NEUTRAL and YELLOW/GREEN - EARTH. If necessary, these wires should be connected to the ac supply via a suitable intermediate mains rated terminal block.

- b. DC Output

The dc output cable connections are colour coded RED - +24V and BLACK - 0V. These should be connected to the appropriate DC Input Card terminals.

It is recommended that the AC to DC Power Supply Unit is connected to the system earth using the earth stud provided at the rear of the unit. For additional electrical safety a Residual Current Device (RCD) type circuit breaker should be used at the supply source.

# CHAPTER 4 - INSTALLATION INSTRUCTIONS



**Twin Sub-Unit AC to DC Power Supply Connections to AC Supply, Earth and DC Input Card, Together with Auxiliary Battery Backup Supply**

# CHAPTER 4 - INSTALLATION INSTRUCTIONS

## 17. UPGRADING THE AC TO DC POWER SUPPLY UNITS

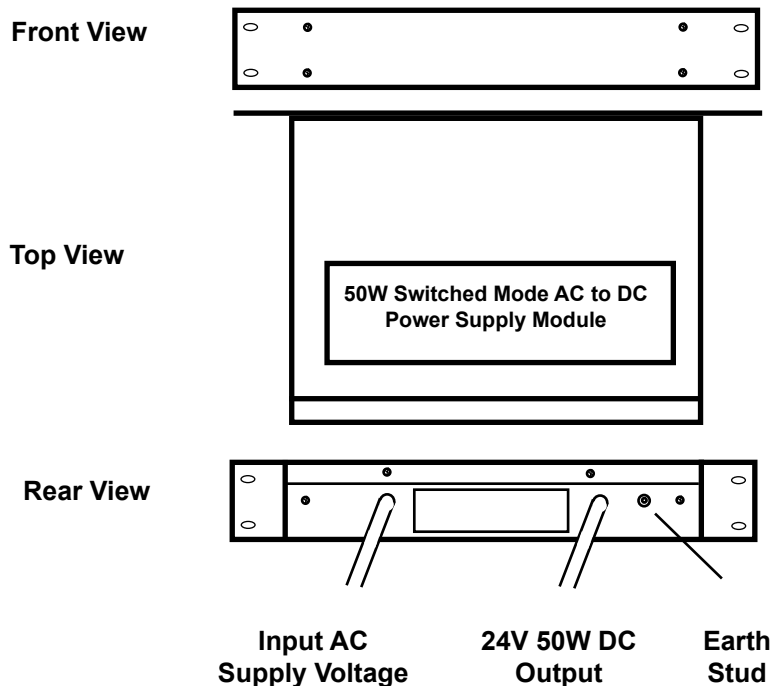


### WARNING

High voltages exist within the AC to DC Power Supply Unit. Disconnect from the ac supply for a period of at least five minutes before removing the top cover and carrying out any maintenance or upgrade operation.

### 17.1 General

There are two types of AC to DC Power Supply Unit, an 8-Way 50W and 16-Way 50W. The 8-way unit may be upgraded to 100W with the addition of a second 50W Switched Mode Module. The 16-way unit may be upgraded to 100W, 150W or 200W with the addition of 50W Switched Mode Module(s) and if necessary a 50W Sub Unit.



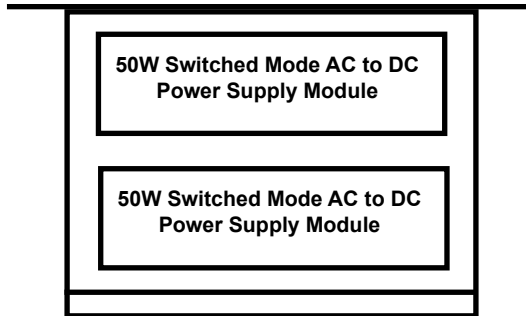
8-Way AC to DC Power Supply Unit (50W)

# CHAPTER 4 - INSTALLATION INSTRUCTIONS

Front View



Top View



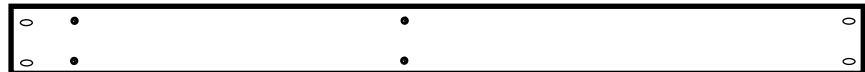
Rear View



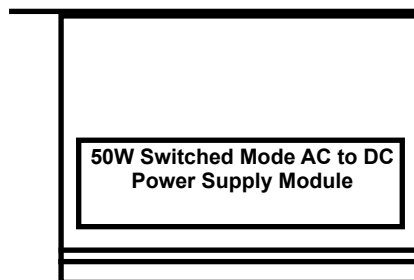
Input AC Supply Voltage      24V 100W DC Output      Earth Stud

**8-Way AC to DC Power Supply Unit (100W)**

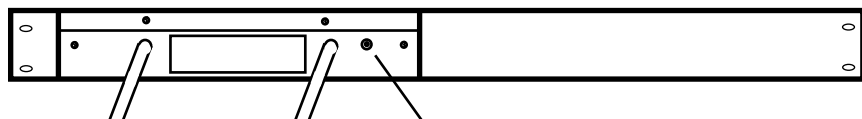
Front View



Top View



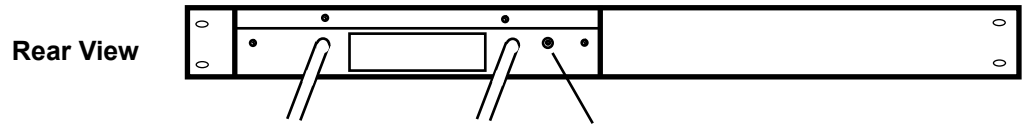
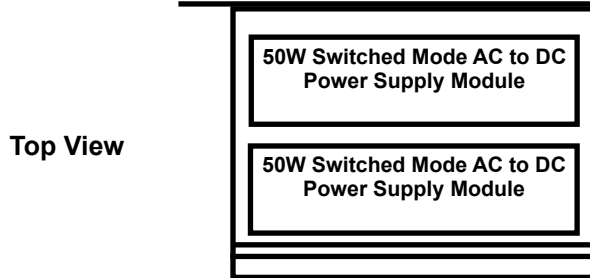
Rear View



Input AC Supply Voltage      24V 50W DC Output      Earth Stud

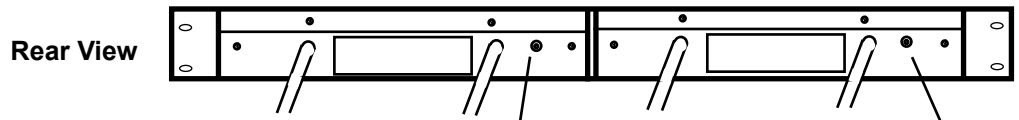
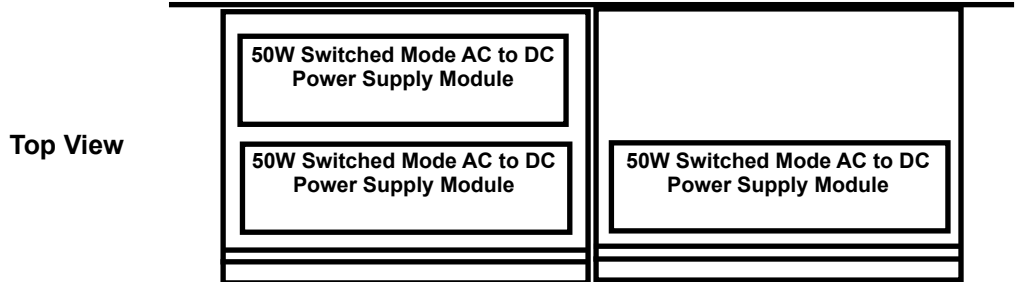
**16-Way AC to DC Power Supply Unit (50W)**

# CHAPTER 4 - INSTALLATION INSTRUCTIONS



Input AC Supply Voltage    24V 100W DC Output    Earth Stud

## 16-Way AC to DC Power Supply Unit (100W)



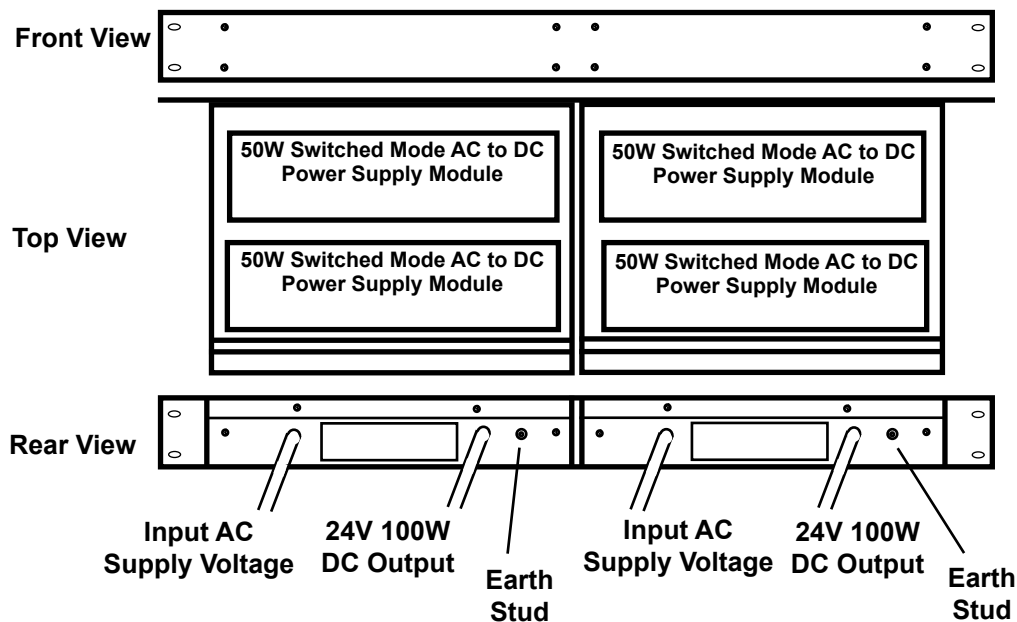
Input AC Supply Voltage    24V 100W DC Output    Earth Stud    Input AC Supply Voltage    24V 50W DC Output    Earth Stud

## 16-Way AC to DC Power Supply Unit (150W)

---

# CHAPTER 4 - INSTALLATION INSTRUCTIONS

---



## 16-Way AC to DC Power Supply Unit (200W)

### 17.2 8-Way and 16-Way AC to DC Power Supply Unit Upgrade to 100W

To upgrade the 8-Way or 16-Way AC to DC Power Supply Units to 100W proceed as follows:

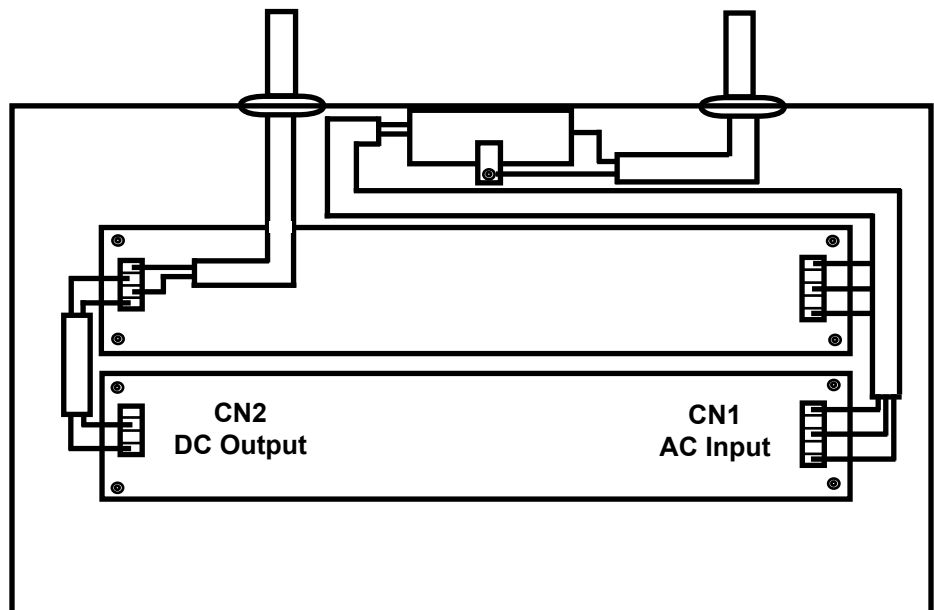
- (1) Remove and retain the screws securing the top cover of the power supply unit and lift the cover clear.
- (2) Cut and remove the retaining straps that secure the unused ac and dc connecting cables to the sub-unit chassis.
- (3) On the 50W Switched Mode Module to be added to the 50W Sub-Unit, remove and discard the four packing screws from the underside of the module, however, retain the long nuts and washers.
- (4) On the 50W Switched Mode Module to be added to the 50W Sub-Unit, ensure that the spacers under the printed circuit board are correctly located.

---

# CHAPTER 4 - INSTALLATION INSTRUCTIONS

---

- (5) Insert the module, with the same orientation as the already fitted module, into the vacant position inside the 50W Sub Unit and secure using the washers and long nuts retained in Step (3).
- (6) Connect the 50W Sub Unit second ac input and 24V dc output cable connectors to the ac input terminal CN1 and dc output terminal CN2 respectively on the added 50W Switched Mode Module as shown below:



- (7) Refit the top cover.

### 17.3 16-Way AC to DC Power Supply Unit Upgrade to 150W or 200W

To upgrade the 16-Way AC to DC Power Supply Unit to 150W or 200W proceed as follows:

- (1) Fit a second 50W Sub unit, containing a 50W Switched Mode Module, to the 16-way AC to DC Power Supply Unit front panel using the fixings supplied.
- (2) When an upgrade to 200W is required, fit a further 50W Switched Mode Module into the new 50W Sub unit as indicated in Section 17.2.



---

# USER NOTES

---

---

# **CHAPTER 5 - COMMISSIONING AND MAINTENANCE INSTRUCTIONS**

---

## **5704 SERIES CONTROL SYSTEM CHAPTER 5 COMMISSIONING AND MAINTENANCE INSTRUCTIONS**

---

# CHAPTER 5 - COMMISSIONING AND MAINTENANCE INSTRUCTIONS

---

## CONTENTS

| Section | Page                         |      |
|---------|------------------------------|------|
| 1.      | General                      | 5-3  |
| 2.      | Start Up Procedure           | 5-3  |
| 3.      | Calibration                  | 5-5  |
| 4.      | Maintenance                  | 5-6  |
| 5.      | Error Codes                  | 5-7  |
|         | 5.1 General                  | 5-7  |
|         | 5.2 Start-up Hardware Faults | 5-8  |
|         | 5.3 Run Time Errors          | 5-10 |
|         | 5.4 Calibration Errors       | 5-13 |
|         | 5.5 System Errors            | 5-16 |
|         | 5.6 Miscellaneous Errors     | 5-17 |
| 6.      | FAULT FINDING                | 5-18 |

---

# CHAPTER 5 - COMMISSIONING AND MAINTENANCE INSTRUCTIONS

---



## WARNING

High ac mains voltages may be present at the system power supply unit and at the relay terminals of the interface cards. Appropriate safety precautions must be taken when commissioning or servicing the system.

## IMPORTANT

Commissioning and maintenance of the system should be carried out by trained authorised personnel only.

### 1. GENERAL

The following guide to commissioning and maintenance should be used in conjunction with the relevant instructions issued with the sensors being used.

### 2. START UP PROCEDURE

A detailed check of the system wiring should be carried out prior to this start-up procedure.

Start-up the system as follows:

- (1) Ensure that the system power supply is switched off.
- (2) Disconnect the power supply connections to the DC Input Card by removing the two part connector TB1 and TB2 if fitted.
- (3) Unscrew the two retaining screws used to secure the control cards and then, using the extraction tool, partially remove the cards from the rack so that there is no electrical connection between the control cards and the backplane.
- (4) Switch on the system power supply.
- (5) Check that a voltage of between 18V and 32V dc exists at the terminal block TB1 (and for individually power systems on each of the Quad Relay Interface Card terminals 35 and 36).
- (6) Switch off the power supply.

---

# CHAPTER 5 - COMMISSIONING AND MAINTENANCE INSTRUCTIONS

---

- (7) Reconnect the terminal block TB1 to the DC Input Card.
- (8) Switch on the system power supply.
- (9) Check that a voltage of between 18V and 32V dc still exists at the terminal block TB1.
- (10) Check that the Engineering Card front panel power on (⚡) green LED is illuminated and the unlocked (🔓) LED is flashing.
- (11) Push the control card in slot 1 fully into the rack so that it makes connection with the backplane and secure with the two securing screws.
- (12) Check that the display operates and that the INHIBIT LED on the control card front panel is illuminated.
- (13) Check that after the pre-defined start up inhibit period, typically 30 seconds, the INHIBIT LED are extinguished.
- (14) Check the operation of each connected sensor by checking the **BEAD mA** and **mV SIGNAL** for a catalytic sensor or the **mA SIGNAL** for a 4 - 20mA sensor.
- (15) Repeat Steps (11) to (14) for the remaining control cards in the rack.
- (16) Reconnect the terminal block TB2 to the DC Input Card and test the optional Engineering Card module in accordance with the relevant operating manual instructions.
- (17) Verify the alarm configuration for each channel using the relay test procedure outlined in Chapter 7 Section 6.
- (18) Verify that the System 57 Control Cards and power supply are operating within the maximum specified operating temperature of 55°C.

---

# CHAPTER 5 - COMMISSIONING AND MAINTENANCE INSTRUCTIONS

---

## 3. CALIBRATION

Leave the connected sensors to stabilise for a period as specified in the sensor manual.

Adjust the sensor head current of catalytic sensors as described in Chapter 7 Section 7 to the required value as indicated in the sensor operating instructions.

Using the procedures specified for the type of sensors being used, follow the zero and 1st span operational guide in Chapter 7 Sections 8 and 10, and calibrate each channel.

---

# CHAPTER 5 - COMMISSIONING AND MAINTENANCE INSTRUCTIONS

---

## 4. MAINTENANCE

To ensure that the system functions correctly, maintenance should be carried out on a regular basis as dictated by the site regulations and instructions for the type of sensor being used. For installations in the EU, EN 60079-29-2 should be followed.”

The system should be maintained in a clean condition and kept free from dust and grease. The following checks should be made annually, or more frequently if required by local regulations or procedures:

- (1) Check and if necessary tighten all terminations to the DC Input Card, Quad Relay Interface Cards and if fitted to the Expansion Relay Card.
- (2) Check that the Engineering Card power on (⚡) green LED is illuminated and all other LEDs are extinguished.
- (3) Check the display of each channel in use, of every control card, indicates a normal reading with no error messages.
- (4) Select each channel of every control card, in turn, and check that channels sensor signal reading and, if a catalytic sensor is connected, the sensor bridge current.
- (5) With the Engineering Key fitted to the Engineering Card, select each channel of every control card in turn and enter the alarms test function.
- (6) Check the alarm levels, alarm LED operation alarm relay operation and display operation for each channel.
- (7) Check the operation of all fault and inhibit relays.
- (8) Check that, with the sensor in a gas free atmosphere, the display indicates zero. If appropriate adjust the zero reading using the **ZERO** function.

*Note: For oxygen applications the zero function should only be operated in an oxygen free atmosphere. Under normal atmosphere conditions the display should indicate 21% ± 0.5% v/v, this can be adjusted by using the **SPAN** function.*

The System 57 control cards and engineering cards carry out continual self checking of the integrity of the hardware, software and sensor operation. In the event of a problem, and depending on the type of problem, the control card will indicate either an error message on the LCD display or will operate the fault LED and relay output.

---

# CHAPTER 5 - COMMISSIONING AND MAINTENANCE INSTRUCTIONS

---

## 5. ERROR CODES

### 5.1 General

Operating errors within the system are indicated on the LCD message display as an error code. The error codes used and their meaning are listed in the following sections. These sections also contain appropriate information pertaining to the likely cause of the error message being displayed and an indication on how the error affects the operation of the channel card.

**Error Code:** This relates to the error code message ERxx displayed on the LCD message display. If more than one error is present simultaneously, the error with the highest code number is displayed

**Card Status:** This refers to the condition of the control card operation.

**Active** means that the card is still processing signals from the connected sensor and, in the event of the sensor detecting gas, will still activate any configured alarm outputs.

**Non active** means that it is not possible for the control card to generate any alarms in response to the sensor detecting gas.

**Fault Signal:** This refers to the indication of the fault condition in response to the error condition.

**Yes** means that the appropriate channel front panel fault LED and any configured fault relay will be operated.

**No** means that no fault indication is given. The error condition that causes these general warning messages is of a minor nature and the channel card will continue to operate. The condition should however still be investigated.

**Latch:** This refers to the condition of the error message and the associated fault signal.

**Yes** means that the control card will continue to display the error message until the condition causing the error has cleared and the reset push-button has been operated.

**No** means that the error message will clear automatically once the condition causing the error message has cleared.

**Conf.** means that the latch/non-latch condition is configurable using the Engineering Interface Software.



# CHAPTER 5 - COMMISSIONING AND MAINTENANCE INSTRUCTIONS

## 5.2 Self Test Faults

*Note: In addition to some of the following fault codes that may be displayed, the control card ATTN LED will flash one second on one second off should a hardware or software fault be detected on the control card.*

| Error Code | Error Code Meaning   | Software Version | Card Status | Fault Signal | Latch |
|------------|--|------------------|-------------|--------------|-------|
| 99         | <p>RAM Failure.</p> <p>RAM stores the working values during operation.</p> <p>The RAM failure message is displayed if there are errors in the read/write byte test during the system start-up or periodic self test.</p> <p>This is a serious card failure and, as such, the card needs to be replaced.</p>  | All              | Non Active  | Yes          | Yes   |
| 98         | <p>ROM Failure.</p> <p>The ROM stores the channel card program.</p> <p>The ROM failure message is displayed if there are errors in the read byte test during the system start-up or periodic self test.</p> <p>This is a serious card failure and, as such, the card needs to be replaced.</p>   | All              | Non Active  | Yes          | Yes   |
| 97         | <p>EEPROM Failure.</p> <p>The EEPROM holds the application configuration data.</p> <p>The EEPROM failure message is displayed if there is a checksum difference or it has been impossible to carry out a checksum test during start-up or periodic self test.</p> <p>This is a serious card failure and, as such, the card needs to be replaced.</p> | All              | Non Active  | Yes          | Yes   |

# CHAPTER 5 - COMMISSIONING AND MAINTENANCE INSTRUCTIONS

| Error Code | Error Code Meaning  | Software Version | Card Status | Fault Signal | Latch |
|------------|---|------------------|-------------|--------------|-------|
| 96         | <p>No Vps.</p> <p>Vps is a voltage which is used to set the absolute value reference for the reading scaling factor.</p> <p>The no Vps message is only displayed on a channel card that has not been factory tested.</p> <p>This is a serious card failure and, as such, the card needs to be replaced.</p>                 | All              | Non Active  | Yes          | Yes   |
| 95         | Not used.   |                  |             |              |       |
| 94         | Not used.   |                  |             |              |       |
| 93         | <p>Configuration Fault</p> <p>The configuration fault message is displayed during start-up if the channel card has no configuration information or the configuration is not valid..</p> <p>This is a serious card failure and, as such, the card needs to be replaced.</p>  | All              | Non Active  | Yes          | Yes   |
| 92         | Not used.   |                  |             |              |       |
| 91         | <p>Power Fail Error</p> <p>The power fail error message is displayed if the system supply voltage falls below approximately 16V dc.</p> <p>The error latches* if the power failure delay is not enabled.</p> <p>Check the operation of the power supply. When the power is restored, check the operation of the system.</p> | 1V5              | Non Active  | Yes          | No    |
|            |   | 1V6 or later     | Non Active  | Yes          | Conf* |

# CHAPTER 5 - COMMISSIONING AND MAINTENANCE INSTRUCTIONS

## 5.3 Run Time Errors

| Error Code | Error Code Meaning  | Software Version | Card Status | Fault Signal | Latch |
|------------|---|------------------|-------------|--------------|-------|
| 89         | <p><b>Hardware Fault</b></p> <p>The hardware fault message is displayed if the channel card detects a fault in its operation or a fault with a sensor input.</p> <p>Check the sensor connections. Remove the channel card and insert it into a compatible working channel and check its operation (ER86 may appear during this operation - this is normal). If the card still indicates a fault, it must be replaced. If the card is working, the sensor should be replaced.</p>  | All              | Non Active  | Yes          | Yes   |
| 88         | <p><b>Under Range Fault</b></p> <p>The under range fault message is displayed when the sensor signal reading is less than the predetermined level held within the channel configuration data.</p> <p>Typically this is due to either the sensor or the sensor cable installation being open circuit.</p>  | All              | Non Active  | Yes          | Conf  |
| 87         | <p><b>Over Range Fault</b></p> <p>The over range fault message will appear when the sensor signal reading is above the predetermined level held within the channel configuration data.</p> <p>Typically, this is due to either the sensor or the sensor cable installation being short circuit. Alternatively, the sensor may be detecting a very high level of gas.</p> <p>The reset of a latched signal overrange fault condition should only be carried out after checking that the sensor is in clean (non target gas) air.</p> | All              | Non Active  | Yes          | Conf. |
| 86         | <p><b>Card In Wrong Slot</b></p> <p>The card in wrong slot message is displayed if a channel card has been moved to a different slot from the one that it had been calibrated for.</p>  | All              | Non Active  | Yes          | No.   |



# CHAPTER 5 - COMMISSIONING AND MAINTENANCE INSTRUCTIONS



| Error Code | Error Code Meaning  | Software Version | Card Status | Fault Signal | Latch |
|------------|---|------------------|-------------|--------------|-------|
|            | <p>This allows cards to be moved to alternative slot locations for fault finding purposes. This message may also be displayed when fitting a new channel card or fitting a spare replacement. The message can be cleared by calibrating the channel card to the new slot location and connected sensor.</p> <p>Depending on the alarm configuration, moving channel cards to alternative slots may compromise the generation of alarms. The alarm operation should be checked after the card has been moved and calibrated.</p> |                  |             |              |       |
| 85         | Not used  |                  |             |              |       |
| 84         | <p>Datasum Changed</p> <p>The datasum changed message is displayed if there is a failure in the channel card RAM during normal operation.</p> <p>The card should be reset by removing the power to the card. This is achieved by removing the card from the rack slot and then replacing the card back into the rack slot. If the error message persists the card needs replacing.</p>  | All              | Non Active  | Yes          | No    |
| 83         | <p>Bead Current Fault</p> <p>The current setting fault message is displayed when the control card is unable to set or maintain the correct operating current for a catalytic sensor.</p> <p>Check the cable sensor connection and cable line lengths to ensure that the maximum line impedance has not been exceeded.</p>   | 1V6 or later     | Non Active  | Yes          | Yes   |
| 82         | <p>Lifetime Expired</p> <p>The lifetime expired message is displayed if the catalytic sensor sensitivity falls to below 50% of its original value.</p>  | All              | Active      | No           | No    |

# CHAPTER 5 - COMMISSIONING AND MAINTENANCE INSTRUCTIONS

| Error Code | Error Code Meaning  | Software Version | Card Status | Fault Signal | Latch |
|------------|---|------------------|-------------|--------------|-------|
|            | <p>The lifetime is calculated on the difference between the sensitivity measured during 1st SPAN and that measured during subsequent normal SPANs, and is only updated during the SPAN function.</p> <p>This is a warning that the sensor output is becoming unacceptably low and may be due to age or due to the sensor being 'poisoned' by the presence of silicones, sulphur and lead compounds.</p> <p>The sensor should be replaced.</p>   |                  |             |              |       |
| 81         | <p><b>Signal Under Range</b></p> <p>The signal under range message is displayed when the sensor signal reading is less than a predetermined level held within the channel configuration data. This predetermined level is below the normal operating range.</p> <p>This is typically due to the sensor signal drifting below the normal zero operating point. This could, depending on the sensor type, be due to large changes in climatic conditions, loose terminal connections, the sensor being poisoned or an early indication of the failure of the sensor.</p> <p>In some instances this error can be caused by short circuits in the sensor or cabling.</p> <p>The channel card should be calibrated and its operation checked</p> | All              | Non Active  | Yes          | Conf  |
| 80         | <p><b>Signal Over Range</b></p> <p>The signal over range warning message is displayed when the sensor signal reading is more than a predetermined level held within the channel configuration data. This predetermined level is above the operating range.</p>  | All              | Active      | No           | Conf  |

# CHAPTER 5 - COMMISSIONING AND MAINTENANCE INSTRUCTIONS

| Error Code | Error Code Meaning   | Software Version | Card Status | Fault Signal | Latch |
|------------|--|------------------|-------------|--------------|-------|
|            | <p>This provides a warning that the sensor is detecting a level of gas exceeding the set operating range of the channel.</p> <div style="border: 1px solid black; border-radius: 15px; padding: 10px; margin: 10px 0;"> <p style="text-align: center;"><b>IMPORTANT</b></p> <p>If configured for latching, the display and analogue output may not indicate the true gas concentration when the measuring range is exceeded.</p> </div> <p>The reset of a latched signal overrange warning condition should only be carried out after checking that the sensor is in clean (non target gas) air.</p> |                  |             |              |       |

## 5.4 Calibration Errors

| Error Code | Error Code Meaning  | Software Version | Card Status | Fault Signal | Latch |
|------------|---|------------------|-------------|--------------|-------|
| 79         | <p>Uncalibrated</p> <p>The uncalibrated message is displayed for new channel cards that have never been calibrated.</p> <p>The channel card should be calibrated and its operation checked.</p>   | All              | Non Active  | No           | No    |
| 78         | <p>Calibration Overdue</p> <p>The calibration overdue message is displayed when the pre-configured calibration interval has expired.</p> <p>This is a warning message that the sensor is due for calibration. Once the calibration has been completed the message will clear.</p> <p>If required, this function can be disabled using the Engineering Interface Software configuration program.</p> | All              | Active      | No           | No    |

# CHAPTER 5 - COMMISSIONING AND MAINTENANCE INSTRUCTIONS

| Error Code | Error Code Meaning  | Software Version | Card Status | Fault Signal | Latch |
|------------|---|------------------|-------------|--------------|-------|
| 77         | <p><b>Zero Signal Too Low</b></p> <p>The zero signal too low message is displayed during calibration when the sensor zero signal is below the pre-configured levels and a zero calibration can not be achieved.</p> <p>For catalytic sensors this would typically signify there is a large imbalance between the two detecting elements of the sensor. The sensor installation should be checked for loose wires or the sensor replaced.</p> <p>For mA sensors this would typically signify that the mA output from the sensor requires calibrating.</p>  | All              | Active      | No           | No    |
| 76         | <p><b>Zero Signal Too High</b></p> <p>The zero signal too high message is displayed during calibration when the sensor zero signal is above the pre-configured levels and a zero calibration can not be achieved.</p> <p>This is typical of the sensor detecting its target gas and zero gas should be applied to the sensor. Alternatively, for catalytic sensors, this would typically signify there is a large imbalance between the two detecting elements of the sensor. The sensor installation should be checked for loose wires or the sensor replaced.</p> <p>For mA sensors this would typically signify that the mA output from the sensor requires calibrating.</p> | All              | Active      | No           | No    |
| 75         | <p><b>Calibration Signal Too Low</b></p> <p>The calibration signal too low message is displayed during calibration when the sensor span signal is below the pre-configured levels and a span calibration can not be achieved.</p>   | All              | Active      | No           | No    |

# CHAPTER 5 - COMMISSIONING AND MAINTENANCE INSTRUCTIONS

| Error Code | Error Code Meaning  | Software Version | Card Status | Fault Signal | Latch |
|------------|---|------------------|-------------|--------------|-------|
|            | <p>This indicates that the output from the sensor is too low due to either:</p> <ul style="list-style-type: none"> <li>a. a faulty sensor which may be poisoned or damaged.</li> <li>b. the calibration gas is incorrect. Check the calibration gas bottle certificate and age.</li> <li>c. sticky gas such as chlorine or ammonia is not reaching the sensor.</li> </ul> <p><i>Note: With software version 1V5, Error 75 may be generated while setting zero. In this case see Error 77.</i></p>   |                  |             |              |       |
| 74         | <p><b>Calibration Signal Too High</b></p> <p>The calibration signal too high message is displayed during calibration when the sensor span signal is above the pre-configured levels and a span calibration can not be achieved.</p> <p>This indicates that the output from the sensor is too high due to either:</p> <ul style="list-style-type: none"> <li>a. a faulty sensor, bad cabling or wrong sensor defaults in configuration.</li> <li>b. the calibration gas is incorrect. Check the calibration gas bottle certificate and age.</li> </ul> | All              | Active      | No           | No    |



# CHAPTER 5 - COMMISSIONING AND MAINTENANCE INSTRUCTIONS

## 5.5 System Errors

| Error Code | Error Code Meaning   | Software Version | Card Status | Fault Signal | Latch |
|------------|--|------------------|-------------|--------------|-------|
| 69         | <p>Invalid Sub-Channel</p> <p>Indicates a request has been received for an invalid sub-channel address.</p>  | All              | Active      | No           | No    |
| 68         | <p>Printer Not Ready</p> <p>Indicates that the serial device attached to the engineering port is not able to accept data.</p>  | All              | Active      | No           | No    |
| 67         | <p>Invalid Request</p> <p>Indicates that an invalid request number has been received.</p>  | All              | Active      | No           | No    |
| 66         | <p>Serial Communications Timeout</p> <p>Serial communications has timed out.</p> <p>Reset card by removing power to the card. If problem persists, replace the card.</p> | All              | Active      | No           | No    |
| 65         | <p>Failed Error</p> <p>Failed to receive command or card selected.</p> <p>Reset card by removing power to the card. If problem persists, replace the card.</p>           | All              | Active      | No           | No    |
| 64         | <p>Timeout Error</p> <p>Backplane command timed out.</p> <p>Reset card by removing power to the card. If problem persists, replace the card.</p>                         | All              | Active      | No           | No    |
| 63         | <p>Slot Inactive Error</p> <p>Backplane command sent to empty slot.</p> <p>Reset card by removing power to the card. If problem persists, replace the card.</p>          | All              | Active      | No           | No    |

# CHAPTER 5 - COMMISSIONING AND MAINTENANCE INSTRUCTIONS

| Error Code | Error Code Meaning  | Software Version | Card Status | Fault Signal | Latch |
|------------|---|------------------|-------------|--------------|-------|
| 62         | <p>Communications Error</p> <p>A participant in a complex alarm function hosted by this card has stopped communicating.</p> <p>Check all cards within the participant group are fully inserted into the rack and are functioning correctly.</p> | All              | Active      | Yes          | No    |

## 5.6 Miscellaneous Errors

| Error Code | Error Code Meaning   | Software Version | Card Status | Fault Signal | Latch |
|------------|--|------------------|-------------|--------------|-------|
| 07         | <p>Divide By Zero</p> <p>Internal calculation error.</p> <p>Reset card by removing power to the card. If problem persists, replace the card.</p> | All              | Active      | No           | No    |
| 01         | <p>Invalid Command</p> <p>A serial command has been received that is not valid for this card.</p>  | All              | Active      | No           | No    |

# CHAPTER 5 - COMMISSIONING AND MAINTENANCE INSTRUCTIONS

## 6. FAULT FINDING

The following table provides a guide to diagnosing various conditions within the operation of System 57.

*Note: In addition to some of the following fault codes that may be displayed, the control card ATTN LED will flash one second on/one second off should a hardware or software fault be detected on the control card.*

| Fault  | Action   |
|--|--|
| The Engineering Card front panel power on (⚡) green LED extinguished.                                  | <p>Disconnect TB1 and measure the voltage between the +24V dc and 0V terminals.</p> <p>If the voltage is correct, remove the DC Input Card and check the fuse FS1.</p> <p>If the voltage is not correct, check the system power supply unit.</p> |
| The Engineering Card front panel power on (⚡) green LED flashes at approximately two second intervals. | <p>The dc input voltage is too low.</p> <p>Check dc voltage at the DC Input Card terminals.</p>  |
| The Engineering Card front panel power on (⚡) green LED flashes at approximately 0.5 second intervals. | <p>There is a hardware fault.</p> <p>Switch power of and then on again. If problem persists, check the diagnostic printout for error codes</p>   |
| No dc voltage output from Power Supply Unit.   | <p>Check that the ac mains voltage is between 85V and 264V at the power supply ac connection wires.</p> <p>If yes, replace the 50W Power Supply Module.</p>  |
| No readings on a control card display.   | <p>Check that power is being applied to the control card from the backplane or Quad Interface Card as applicable and the display still does not read, replace the control card.</p>  |

# CHAPTER 5 - COMMISSIONING AND MAINTENANCE INSTRUCTIONS

| Fault   | Action   |
|---|--|
| An error message is displayed.  | Check the error code tables in Section 5 for explanation.  |
| A CHL LED indicates a fault condition by flashing amber (one second on/one second off). | Check the message display for an error code. See Section 5 for explanation of error codes.<br><br>Check channel sensor connection and operation.   |
| A CHL LED indicates an inhibit condition by showing continuous amber.                   | Wait for at least 255 seconds to see if the LED extinguishes.<br><br>Insert the Engineers Key into the Engineering Card and then operate the INHIBIT push-button. This should toggle the inhibit LED on and off, otherwise check the remote inhibit level.   |
| The unlocked (🔓) LED is illuminated.  | Remove the Engineering Key from the Engineering Card.  |
| The unlocked (🔓) LED is flashing.   | Check that all the control cards are fitted to the rack and are working.<br><br>If a card has been removed deliberately, fit the Engineering Key into the Engineering Card socket and then remove the key again.<br><br>Select each control card in turn and, using one of the Engineering Card functions, check that communications exist between the selected control card and Engineering Card.<br><br>Check that the dc power supply is more than 16V. |
| The CHL LED indicates an alarm condition by flashing red but no gas reading indicated.  | Press the RESET/SELECT push-button momentarily to remove the latched alarm condition.  |

# CHAPTER 5 - COMMISSIONING AND MAINTENANCE INSTRUCTIONS

| Fault   | Action   |
|---|--|
| <p>There is no relay operation and a CHL LED indicates either:</p> <p>a. an alarm condition by flashing red.</p> <p>OR</p> <p>b. slow red flash one second on/one second off.</p> <p>OR</p> <p>c. a fault condition by flashing amber one second on/one second off.</p> <p>OR</p> <p>d. an inhibit condition by showing continuous amber.</p> | <p>Check to see if the channel is in the inhibited condition and if necessary remove the inhibit.</p> <p>Check to see that the type of relay interface card fitted can support the expected alarm.</p> <p>Check the channel card configuration to see that the relay is configured for the expected operation.</p> <p>Swop the relay interface card with another of the same type and test relay action by using the Engineering Card alarm test function.</p> |
| <p>⏏ symbol showing on the message display.</p>   | <p>Engineering Card has no Engineering Key fitted.</p> <p>If key is fitted but the unlocked (⏏) LED is not illuminated check the condition of Engineering Key and replace if necessary.</p>  |
| <p><b>XXXX</b> is displayed on the message display when an engineering function has been selected.</p>  | <p>The function selected is not available on the channel hardware present.</p>   |
| <p>The engineering push-buttons have no effect.</p>   | <p>Select a channel card.</p> <p>Check that the Engineering Card power on (⚡) LED is illuminated.</p>  |
| <p>The ATTN LED flashes rapidly but no gas reading is indicated.</p>  | <p>Press the RESET/SELECT push-button momentarily to remove latched update alarm conditions.</p>   |
| <p>The ATTN LED is continuously on.</p>   | <p>Check whether a channel has been left in the alarm test mode and remove test mode.</p>  |

---

# **CHAPTER 6 - OPERATING INSTRUCTIONS**

---

## **5704 SERIES CONTROL SYSTEM CHAPTER 6 OPERATING INSTRUCTIONS**

---

# CHAPTER 6 - OPERATING INSTRUCTIONS

---

## CONTENTS

| Section                              | Page |
|--------------------------------------|------|
| 1. GENERAL                           | 6-3  |
| 2. USER OPERATING ROUTINES           | 6-3  |
| 3. CONTROL CARD                      | 6-4  |
| 3.1 Reset                            | 6-4  |
| 3.2 Extended Reset                   | 6-4  |
| 3.3 Channel Reset - TWA Calculations | 6-5  |
| 3.4 Card and Channel Select          | 6-5  |
| 3.5 Deselect                         | 6-6  |
| 4. ENGINEERING CARD                  | 6-6  |
| 4.1 General                          | 6-6  |
| 4.2 Timeout                          | 6-7  |
| 4.3 Bargraph Display                 | 6-7  |
| 4.4 Catalytic Sensor Bridge Current  | 6-7  |
| 4.5 View Alarm Level Settings        | 6-7  |
| 4.6 Sensor Signal Monitoring         | 6-8  |
| 4.7 View Clock/Calendar              | 6-9  |
| 4.8 Maintenance Record Printout      | 6-10 |

---

# CHAPTER 6 - OPERATING INSTRUCTIONS

---

## 1. GENERAL

These operating instructions refer to the facilities available for general operation and interrogation of the system without the Engineering Key fitted.

Facilities that may effect the way the system operates are covered in the Engineer's Operating Instructions Chapter 7 which refers to facilities available when the Engineering Key is fitted.

## 2. USER OPERATING ROUTINES

Depending upon which keypad function push-buttons are operated, the following user operating routines may be performed:

- Channel reset.
- Channel select.
- View alarm levels.
- Catalytic sensor current check.
- Sensor signal monitoring.
- Accept an update alarm
- View clock/calendar.
- Initiate a maintenance record printout.

Channel reset and select are performed by the channel card **RESET/SELECT** push-button while the remaining functions are performed, when a channel control card is selected using the Engineering Card push-button controls.

Only one channel card can be selected at any one time and while selected its microprocessor monitors the Engineering Card push-button functions to determine what action should take place.



---

# CHAPTER 6 - OPERATING INSTRUCTIONS

---

## 3. CONTROL CARD

### 3.1 Reset

To reset a channel control card, briefly push and release its front panel **RESET/SELECT** push-button.

This will:

- a. Reset all latched non-active alarms or faults associated with each channel of the control card.
- b. Cancel all latched and non-active warning or information messages.
- c. Reset the peak reading display.
- d. When active, acknowledge any update function .
- e. Clear the attention lamp indication.

### 3.2 Extended Reset

Pressing the **RESET/SELECT** push-button continuously for approximately five seconds will perform an extended card reset. During this period the selected icon will flash on and off, and when the flashing stops the reset will be complete.

The extended reset performs the following functions:

#### a. Maximum and Minimum Readings

The maximum and minimum gas readings available via the engineering printout facility are cleared.

#### b. TWA Alarms

When exposure alarms are configured, the active short term (STEL) or long term (LTEL) exposure alarms are cleared and the exposure timer is reset.

*Note: Only channels with active alarms are affected by the extended reset. The exposure calculations on other channels may be reset using the procedure outlined in Section 3.3.*

---

# CHAPTER 6 - OPERATING INSTRUCTIONS

---

## c. Relay Time Delays

When time delay relay functions are configured, the extended reset will immediately:

- i. Activate any inactive relay where an alarm condition is present but a relay trigger delay is in progress.
- ii. Clear any relay where the alarm condition is not present but the relay is still active due to a relay hold time in progress.

## 3.3 Channel Reset - TWA Calculations

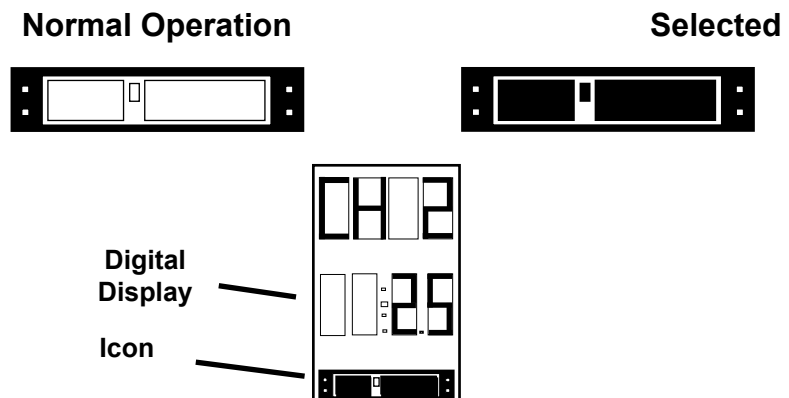
To reset a channel short term (STEL) and long term (LTEL) exposure timer and calculations:

- (1) First select the required channel using the procedure outlined in Section 3.4.1.
- (2) With the channel selected, press the **RESET/SELECT** push-button continuously for five seconds. During this period the select icon will flash on and off.
- (3) When the flashing stops the exposure timer will be restarted from zero.

## 3.4 Card and Channel Select

### 3.4.1 Card Select

To select a channel card for operations controlled from the Engineering Card, push and hold the required channel card **RESET/SELECT** push-button for approximately 1.5 seconds until the icon display changes from the normal display to the selected display as shown below:



---

# CHAPTER 6 - OPERATING INSTRUCTIONS

---

## 3.4.2 Channel Select

Once a card has been selected, a particular channel can then be selected by using the (▲) and (▼) push-buttons on the Engineering Card. The selected channel number will be shown on the message display.

## 3.5 Deselect

### 3.5.1 Card Deselect

To deselect a selected channel card, briefly push its front panel **RESET/SELECT** push-button.

The channel card will be deselected and any user operations in progress which have not been confirmed will be cancelled. It should be noted that the channel card will not be reset unless the **RESET/SELECT** push-button is again momentarily pushed.

### 3.5.2 Card Deselect with Channel Display Lock

If the control card has been configured for a sequential channel display mode, it is possible to lock the display to a particular channel by deselecting the card using the **X** push-button.

To lock the display to a particular channel:

- (1) Select the required channel as indicated in Section 3.4.2.
- (2) Briefly press the **X** push-button and the select icon will clear.

The channel display will remain locked to the desired channel until the card is next reset or selected.

## 4. ENGINEERING CARD

### 4.1 General

The Engineering Card push-button functions will only operate if a channel card is selected. See Section 3.3.

Without the Engineering Key fitted to the Engineering Card, the following Engineering Card push-buttons will not be available:

- Inhibit
- Zero
- Span
- 1st Span

If any of these push-buttons are pushed, a locked symbol (⏹) will be briefly displayed on the selected channel card message display.

---

# CHAPTER 6 - OPERATING INSTRUCTIONS

---

## 4.2 Timeout

When operating the Engineering Card without an Engineering Key fitted there is a timeout period of 30 seconds. If no push-buttons are pressed within the timeout period, the selected channel card will automatically be deselected.

## 4.3 Bargraph Display

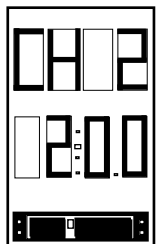
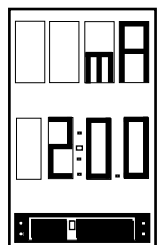
When operating the Engineering Card without an Engineering Key fitted, the selected channel's bargraph display will continue to indicate the actual gas reading during the operation of the available Engineering Card functions.

## 4.4 Catalytic Sensor Bridge Current

The operation associated with the **BEAD mA** push-button only applies to catalytic channel cards. Operating this push-button with other types of channel cards selected has no effect and the warning message (**XXXX**) is displayed for a short time.

To enter the catalytic sensor bridge current operation, proceed as follows:

- (1) Push and hold the required channel card **RESET/SELECT** push-button for approximately 1.5 seconds until the selected icon appears on the channel display.
- (2) Use the Engineering Card (**▲**) and (**▼**) push-buttons to select the required channel.
- (3) Push the **BEAD mA** push-button and the selected channel card display will indicate the configured bridge current. eg. 200mA alternating with the selected channel number.
- (4) Push the reject (**✕**) push-button or wait 30 seconds to exit the **Bead mA** mode.



## 4.5 View Alarm Level Settings

The operation of the **ALARMS** push-button allows the viewing of the alarm threshold point and alarm type (rising or falling) for each alarm set point A1, A2 and A3.

To enter the alarm view operation, proceed as follows:

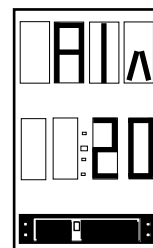
---

# CHAPTER 6 - OPERATING INSTRUCTIONS

---

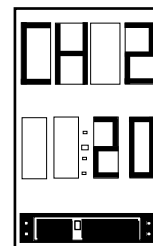
- (1) Push and hold the required channel card **RESET/SELECT** push-button for approximately 1.5 seconds until the selected icon appears on the channel display.
- (2) Use the Engineering Card (**▲**) and (**▼**) push-buttons to select the required channel.

- (3) Push the **ALARMS** push-button and the selected channel card display will indicate the A1 level alarm alternating with the selected channel number as indicated opposite.



*Note: The up arrow ▲ indicates a rising alarm while the down ▼ arrow indicates a falling alarm.*

- (4) Push the **ALARMS** push-button a second time and the selected channel card display will indicate the A2 level alarm.



*Note: Step (5), (6) and (7) will only be available if the control card is configured for the stated alarm.*

- (5) Push the **ALARMS** push-button a third time and the selected channel card display will indicate the A3. level alarm.
- (6) Push the **ALARMS** push-button a fourth time and the selected channel card display will indicate the STEL level alarm.
- (7) Push the **ALARMS** push-button a fifth time and the selected channel card display will indicate the LTEL level alarm.
- (8) Further pushes of the **ALARMS** push-button will scroll through the alarm level set points again.
- (9) Push the (**✓**) or (**✕**) push-buttons or wait 30 seconds to exit the **ALARMS** mode.

## 4.6 Sensor Signal Monitoring

The operation of the **SIGNAL** push-button allows the monitoring of the selected channels sensor signal value. The displayed parameter is dependent upon the type of selected channel card.

To enter the sensor signal monitoring operation, proceed as follows:

---

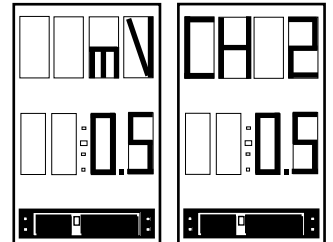
# CHAPTER 6 - OPERATING INSTRUCTIONS

---

- (1) Push and hold the required channel card **RESET/SELECT** push-button for approximately 1.5 seconds until the selected icon appears on the channel display.
- (2) Use the Engineering Card (**▲**) and (**▼**) push-buttons to select the required channel.
- (3) Push the **SIGNAL** push-button and the selected channel card display will indicate the sensor signal alternating with the selected channel number. The displayed value will depend on the type of control card fitted as follows:

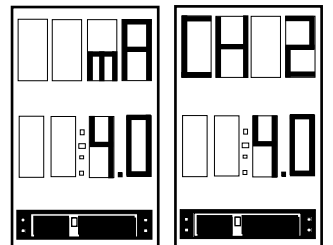
a. Four Channel Control Card - Catalytic

The display will show the live bridge voltage measured between 01 and 02 in mV. 02 is the centre point of the second half of the Wheatstone bridge which is on the channel card.



b. Four Channel Control Card - 4-20mA

The display will show the live sensor loop current in mA.



- (4) Push the (**✓**) or (**✗**) push buttons or wait 30 seconds to exit the **SIGNAL** mode.

## 4.7 View Clock/Calendar

The operation of the **CLOCK** push-button will cause the present time and date to be displayed on a selected channel card.

*Note: This operation requires a control card to be selected but the operation has no effect on the selected control card, which is used as a display device only.*

To enter the clock/calendar operation, proceed as follows:

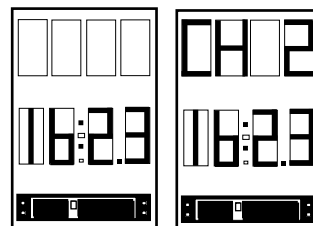
- (1) Push and hold the required channel card **RESET/SELECT** push-button for approximately 1.5 seconds until the selected icon appears on the channel display.

---

# CHAPTER 6 - OPERATING INSTRUCTIONS

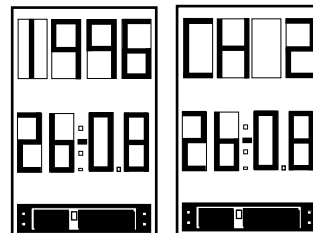
---

- (2) Push the **CLOCK** push-button and the selected channel card display will indicate the present time alternating with the selected channel number.



*Note: The clock uses the 24 hour format.*

- (3) Push the **CLOCK** push-button a second time and the selected channel card display will indicate the present day, month and year alternating with the selected channel number.



*Note: 1. The display format for day and month can read either DD.MM or MM.DD depending on the configuration of the system.*

*2. Further pushes of the **CLOCK** push-button will toggle the display between time and date.*

- (4) Push the (✓) or (✗) push-buttons or wait 30 seconds to exit the **CLOCK** mode.

## 4.8 Maintenance Record Print Out

A detailed printout of the status for each channel or a summary of the whole rack can be initiated using the Engineering Card. The data is fed in ASCII text format to the engineering serial port on the Engineering Card front panel.

To output the maintenance record for each channel card, proceed as follows:

- (1) Plug a RS232 printer into the Engineering card serial port.
- (2) Push and hold the required channel card **RESET/SELECT** push-button for approximately 1.5 seconds until the selected icon appears on the channel display.
- (3) Use the Engineering Card (▲) and (▼) push-buttons to select the required channel.
- (4) Push the up (▲) and down (▼) buttons simultaneously. The selected channel card will display PRN while outputting the following data:

---

# CHAPTER 6 - OPERATING INSTRUCTIONS

---

```
17/10/96 1:42
Slot           : 04.3
Card Type      : 5704
Sensor Type    : 4 - 20mA
S/W           : v01.00
Serial Number  : 01234A02
Range          : 0 - 100
Units         : LEL
Sensor        : 780
Gas           : Methane
Tag           : Vent 04
First Span    : 10/04/96
Last Span     : 16/09/96
Cal. rem.     : 06 months
A1            : 0025 %fsd
A2            : 0050 %fsd
A3            : 0076.8 %fsd
Relay 01 active low
  Local events assoc'd to this relay
  Events       : FT
Relay 02 active high
  Local events assoc'd to this relay
  Events       : A1
Relay 03 active high
  Local events assoc'd to this relay
  Events       : A2
Relay 04 active high
  Local events assoc'd to this relay
  Events       : A3
Relay 12 active high
  Local events assoc'd to this relay
  Events       : A3
Relay 13 active high
  Local events assoc'd to this relay
  Events       : A2
Relay 14 active high
  Local events assoc'd to this relay
  Events       : A1
Relay 15 active high
  Local events assoc'd to this relay
  Events       : IN
Relay 16 active high
  Local events assoc'd to this relay
  Events       : FT
Complex update activates relays:
13
Update assoc'd with the following
Events       : A3 A2 A1
```

- Note:*
1. *The information printed will vary slightly depending on the type of control card fitted.*
  2. *If an RS232 device is not connected or is not able to accept characters, the selected control card display will show **XXXX**.*



---

# CHAPTER 6 - OPERATING INSTRUCTIONS

---

To output a summary of the whole rack, proceed as follows:

- (1) Plug an RS232 printer into the Engineering Card serial port.
- (2) Push the up (▲) and down (▼) buttons simultaneously without any channel card being selected and the following data will be printed:

```
15/08/96 12:05
Type           : Engineering Card
S/W           : v00.70
Eng key override : inactive
Customer name :
DMT
Customer site :
Essen
Serial No      : 01234A17
--
Slot          : 01
Type          : 5704
S/W          : v01.00
Serial No     : 01234A01
Tag          : Unknown
Gas          : Unknown
Range        : 0 - 100
Active alarms : FT
--
Slot          : 02
Type          : 5704
S/W          : v01.00
Serial No     : 01234A02
Tag          : 23C-03
Gas          : Methane
Range        : 0 - 100
Active alarms : A1
--
Slot          : 12
Type          : 5701
S/W          : v00.75
Serial No     : 01234A12
Tag          : Unknown
Gas          : Unknown
Range        : 0 - 100
Active alarms : None
```

*Note: The information printed will vary slightly depending on the type of control card fitted.*

---

# **CHAPTER 7 - ENGINEER'S OPERATING INSTRUCTIONS**

---

## **5704 SERIES CONTROL SYSTEM CHAPTER 7 ENGINEER'S OPERATING INSTRUCTIONS**

---

# CHAPTER 7 - ENGINEER'S OPERATING INSTRUCTIONS

---

## CONTENTS

| Section                                       | Page |
|---|------|
| 1. General                                    | 7-3  |
| 2. Engineering Operating Routines             | 7-3  |
| 3. Unlocking the Engineering Card             | 7-4  |
| 4. Selected Card Operations                   | 7-4  |
| 5. Channel Inhibit                            | 7-5  |
| 6. Alarm Configuration and Relay Test         | 7-6  |
| 7. Catalytic Sensor Bridge Current Adjustment | 7-9  |
| 8. Zero Signal Calibration                    | 7-10 |
| 9. Span Signal Calibration                    | 7-11 |
| 10. First Time Span Signal Calibration        | 7-13 |
| 11. Sensor Signal Monitoring                  | 7-13 |
| 12. Setting the Clock/Calendar                | 7-14 |
| 13. Maintenance Operating Routines            | 7-15 |

---

# CHAPTER 7 - ENGINEER'S OPERATING INSTRUCTIONS

---

## 1. GENERAL

The engineer's operating instructions refer to the additional facilities available to setup and maintain the system. Because the operation of the system can be altered or impeded by these functions, they can only be performed when the Engineering Card is unlocked by the Engineering Key.

## 2. ENGINEERING OPERATING ROUTINES

Depending upon the which keypad function push-button is operated, the following engineering operating routines may be carried out:

- Channel Reset.
- Channel Select.
- Channel Inhibit.
- Alarm Configuration and Relay Test.
- Catalytic Bridge Current Adjustment.
- Zero Signal Calibration.
- Span Signal Calibration.
- 1st Span Signal Calibration.
- Sensor Signal Monitoring.
- Clock/Calendar Adjustment.

Channel select and reset are carried out by the channel card **RESET/SELECT** push-button. See Chapter 6, Section 3.

The remaining engineering functions are carried out after a control card has been selected using the Engineering Card push-button controls.

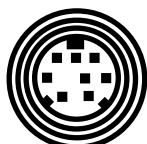
---

# CHAPTER 7 - ENGINEER'S OPERATING INSTRUCTIONS

---

## 3. UNLOCKING THE ENGINEERING CARD

To unlock the Engineering Card, plug the Engineering Key into the Engineering Card front panel socket. The Engineering Card Unlocked LED (■) will illuminate to indicate that it is unlocked.



External Engineering Port

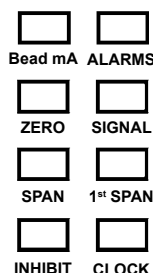


Engineering Key

*Note: Inserting and then removing the Engineering Key resets the Engineering Card communications failure warning indication.*

## 4. SELECTED CARD OPERATIONS

The operation to be carried out on the selected control card channel is chosen by pushing one of the following Engineering Card control push-buttons:



Once an operation has been selected, there are four control push-buttons which may be used to manipulate the operation as required. These are:

- a. ▲ The up push-button, which may be used to raise the selected control card indicated value. If held in the operated position, the display will be increased by one unit every 0.5 seconds.
- b. ▼ The down push-button, which may be used to lower the selected control card indicated value. If held in the operated position, the display will be decreased by one unit every 0.5 seconds.
- c. ✓ The accept push-button, which may be used to accept the selected control card displayed value and store this permanently as part of the configuration. Returns the control card to the selected mode.

---

# CHAPTER 7 - ENGINEER'S OPERATING INSTRUCTIONS

---

- d. ✘ The reject push-button, which may be used to reject the selected control card displayed value and return to the previous set value. Returns the control card to the selected mode.

## 5. CHANNEL INHIBIT



Pushing the Engineering Card **INHIBIT** push-button toggles the selected control card channel inhibit mode between on and off.

When the inhibit mode is set to on, either locally from the Engineering Card or remotely by the Remote Inhibit input, the selected control card:

- a. channel inhibit relay, if configured, is actuated.
- b. channel LED shows continuous amber to indicate INHIBIT.
- c. remaining channel relays are locked in their non-active state.

To select the inhibit function, proceed as follows:

- (1) Plug the Engineering Key into the Engineering Card front panel socket and check that the Unlocked LED (🔓) is illuminated.
- (2) Push and hold the required control card **RESET/SELECT** push-button for approximately 1.5 seconds and check that the selected control card indicates it has been selected by displaying the select icon.
- (3) Use the Engineering Card (▲) and (▼) push-buttons to select the required channel.
- (4) Push the **INHIBIT** push-button to toggle the channels inhibit mode on/off.

---

# CHAPTER 7 - ENGINEER'S OPERATING INSTRUCTIONS

---

## 6. ALARM CONFIGURATION AND RELAY TEST **ALARMS**

The alarm configuration and relay test operation cycles through different stages as follows:

- a. Set thresholds for A1, A2, A3, STEL, LTEL.


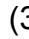
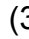


These stages are used to set the A1, A2, A3, STEL and LTEL alarm threshold points and do not affect the alarm LEDs and relays.

- b. Test lamps and optional relays for A1, A2, A3, Fault, STEL, LTEL.

These stages provide a lamp test and relay test function.

*Note: When not configured for STEL/LTEL threshold, a row of dashes will be displayed instead of a level and the STEL and LTEL facilities will be set permanently to off.*

To select the alarm configuration operation, proceed as follows:

- (1) Plug the Engineering Key into the Engineering Card front panel socket and check that the Unlocked LED () is illuminated.
- (2) Push and hold the required control card **RESET/SELECT** push-button for approximately 1.5 seconds and check that the selected control card indicates it has been selected by displaying the select icon.
- (3) Use the Engineering Card () and () push-buttons to select the required channel.
- (4) Push the Engineering Card **ALARMS** push-button for the first time.
- (5) Check that the selected control card message display shows A1  for a rising alarm threshold or A1  for a falling alarm threshold alternating with the selected channel number.
- (6) Check that the selected control card digital display indicates the A1 alarm threshold point.

*Note: The analogue display continues to show the sensor live measurement.*

---

# CHAPTER 7 - ENGINEER'S OPERATING INSTRUCTIONS

---

- (7) If required, use the (▲) and (▼) push-buttons to set a new A1 alarm threshold point.

*Note: The threshold level can only be set to a level that is between the high and low points set in the Control Card configuration.*

- (8) When the correct level has been set, and if no more adjustments are required, push the ✓ push-button to set the new level and store this permanently. Otherwise proceed to the next step.

*Note: If it is required to cancel the procedure at any time without altering the original setting to the displayed value, press the ✕ push button.*

- (9) Push the Engineering Card **ALARMS** push-button a second time and repeat Steps (5) to (8) for the A2 threshold points setting.

- (10) Push the Engineering Card **ALARMS** push-button a third time and repeat Steps (5) to (8) for the A3 threshold points setting.

- (11) Push the Engineering Card **ALARMS** push-button a fourth time and repeat Steps (5) to (8) for the STEL threshold points setting.

- (12) Push the Engineering Card **ALARMS** push-button a fifth time and repeat Steps (5) to (8) for the LTEL threshold points setting.

- (13) Push the Engineering Card **ALARMS** push-button for a sixth time and TEST will be displayed on the message display alternating with the selected channel number. Initially the A1 level of the selected channel is displayed on the digital and analogue displays and the associated CHL LED is illuminated at the A1 Alarm rate. The ATTN LED will also be lit.

- (14) Use the (▲) and (▼) push-buttons to raise or lower the simulated gas level over a range of levels that includes the A1, A2, A3 and underrange Fault values. Check that the selected control card indicates the simulated gas level on the analogue and digital display, and that the appropriate alarm states are indicated on the selected channel LED.

- (15) Push the Engineering Card **ALARMS** push-button for a seventh time and STEL will be displayed on the message display alternating with the selected channel number. The digital display will indicate OFF indicating the channel is in the STEL test mode but the STEL alarm is switched off.



---

# CHAPTER 7 - ENGINEER'S OPERATING INSTRUCTIONS

---

- (16) If required, use the Engineering Card (▲) and (▼) push-buttons to switch the STEL on.

*Note: The STEL Alarm can only be switched on if the Control Card has been configured for this alarm.*

- (17) Push the Engineering Card **ALARMS** push-button for a eighth time and LTEL will be displayed on the message display alternating with the selected channel number. The digital display will indicate OFF indicating the channel is in the LTEL test mode but the LTEL alarm is switched off.

- (18) If required, use the Engineering Card (▲) and (▼) push-buttons to switch the LTEL on.

*Notes: 1. The LTEL Alarm can only be switched on if the Control Card has been configured for this alarm.*

*2. The TEST function automatically inhibits the control card channel to allow a display test and a lamp test of the channel LED alarm indications and prevent accidental alarms being generated. In order to test the relays and FAULT indications, the **INHIBIT** push-button must be used to set the control card channel into the uninhibited state.*

*3. A selected control card may be deselected while in the TEST mode by pushing the selected control card front panel **RESET/SELECT** push-button. The simulated gas level and relay states will remain set allowing several control cards to be tested simultaneously. When the control card is reselected the card will return to the TEST mode. The ATTN LED indicates which cards have channels in the alarm test mode.*

*4. If the inhibit is removed, the external relays will operate.*

## IMPORTANT

When the TEST mode is used, always ensure that the channel control card is returned to the uninhibited state after the test.

# CHAPTER 7 - ENGINEER'S OPERATING INSTRUCTIONS

## 7. CATALYTIC SENSOR BRIDGE CURRENT ADJUSTMENT

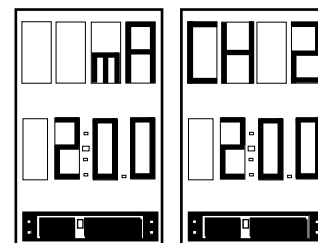


The operation associated with the **BEAD mA** push-button only applies when a catalytic control card has been selected. The pressing of the push-button with other types of control cards selected has no purpose and a warning (**XXXX**) is displayed to this effect.

To enter the catalytic sensor bridge current operation, proceed as follows:

- (1) Plug the Engineering Key into the Engineering Card front panel socket and check that the Unlocked LED (■) is illuminated.
- (2) Push and hold the required control card **RESET/SELECT** push-button for approximately 1.5 seconds and check that the selected control card indicates it has been selected by displaying the select icon.
- (3) Use the Engineering Card (▲) and (▼) push-buttons to select the required channel.

- (4) Push the Engineering Card **BEAD mA** push-button and check that the selected control card message display shows mA alternating with the selected channel number. and the digital display shows the actual bridge current.



- (5) If the displayed bridge current is not set to the required value, use the (▲) and (▼) push-buttons to raise or lower the indicated bridge current reading until the required value is displayed.

*Note: Pressing the ✕ push-button will cancel the displayed current without alteration to the stored value.*

- (6) Push the ✓ push-button to permanently set the new bridge current. The selected control card channel will then automatically return to the normal selected state.

---

# CHAPTER 7 - ENGINEER'S OPERATING INSTRUCTIONS

---

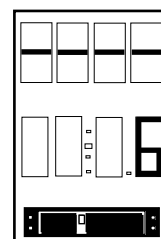
## 8. ZERO SIGNAL CALIBRATION



To select the zero operation, proceed as follows:

- (1) Plug the Engineering Key into the Engineering Card front panel socket and check that the Unlocked LED (■) is illuminated.
- (2) Push and hold the required control card **RESET/SELECT** push-button for approximately 1.5 seconds and check that the selected control card indicates it has been selected by displaying the select icon.
- (3) Use the Engineering Card (▲) and (▼) push-buttons to select the required channel.
- (4) Push the Engineering Card **ZERO** push-button and the Engineering Card will automatically inhibit the selected control card channel to prevent false alarms being generated. One of the following displays will be shown on the selected control message display:

- a.     - - - -     Indicates a stable gas reading.
- b.     ^ ^ ^ ^     Indicates a rising gas reading.
- c.     v v v v     Indicates a falling gas reading.



- (5) Check that the selected control card digital display and bargraph continue to display the current sensor signal level.

*Note: Pushing the X push-button at this stage will return the control card to the selected mode without any changes to the original zero reading.*

- (6) Ensure the selected channel sensor is in a gas free atmosphere. If required apply zero gas, normally air not containing the gas to be measured, at the flow rate and for a time according to the selected channels sensor instruction manual.
- (7) When the message display shows - - - - , to indicate a stable reading, push the ✓ push-button.

# CHAPTER 7 - ENGINEER'S OPERATING INSTRUCTIONS

- (8) The selected control card will display **oooo** on the message display while the Control Card carries out the following:
  - a. Zeroes itself at the current sensor signal, providing this is within the configured upper and lower zero signal limit values. The control card will then automatically return to the normal selected state.
  - b. If the signal is outside the stored signal limits an error message will be displayed on the selected control card display.
  - c. Automatically return to the normal selected state, however, the inhibit on the control card channel will remain active.
- (8) If the Span Signal Calibration (Section 9) is not to follow this procedure, remove the inhibit.

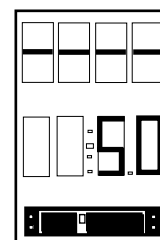
## 9. SPAN SIGNAL CALIBRATION



*Note: If a new sensor is being calibrated for the first time, use the 1st Span procedure in Section 10.*

To select the span operation, proceed as follows:

- (1) Plug the Engineering Key into the Engineering Card front panel socket and check that the Unlocked LED (■) is illuminated.
- (2) Push and hold the required control card **RESET/SELECT** push-button for approximately 1.5 seconds and check that the selected control card indicates it has been selected by displaying the select icon.
- (3) Use the Engineering Card (▲) and (▼) push-buttons to select the required channel.
- (4) Push the Engineering Card **SPAN** push-button and the selected control card channel will automatically be inhibited and one of the following displays will be shown on the control card message display:
  - a.        - - - -    Indicates a stable gas reading.
  - b.        ^ ^ ^ ^    Indicates a rising gas reading.
  - c.        v v v v    Indicates a falling gas reading.



---

# CHAPTER 7 - ENGINEER'S OPERATING INSTRUCTIONS

---

- (5) Check that the selected control card digital display indicates the required span gas concentration to be used, if not, use the (▲) and (▼) push-buttons to raise or lower the indication until the correct concentration is displayed.

*Note: 1. The analogue display will continue to show the current sensor live signal level.*

- 2. Pushing the ✕ button at this stage will return the control card to the selected mode without any changes to the original span setting.*

- (6) Apply the span gas at a flow rate and for a time according to the selected channels sensor instruction manual.

*Note: 1. Apart from oxygen, every sensor should be zeroed before being spanned. See Section 8.*

- 2. Although a Span Gas as low as 15% of the fsd value of the sensor may be used, it is recommended that a value of 40% or above is used.*

- (7) When the message display shows ---- to indicate a stable reading, push the ✓ push-button. The selected control card will then display ---- on the digital display while it carries out the following:

- a. Adjusts its span calibration parameter to the new displayed value, providing this is within the configured upper and lower span signal limit values.
- b. Set the last calibration date to the current date and reset the calibration reminder if this is enabled.
- c. Automatically return to the normal selected state, however, the inhibit on the control card channel will remain active.
- d. If the displayed value is outside the stored signal limits, display an error message.
- e. On control cards for catalytic sensor inputs, the present sensor signal will be compared with that recorded when the sensor was new. A warning will be displayed if the sensitivity of the sensor has fallen to below 50% of its original value.

---

# CHAPTER 7 - ENGINEER'S OPERATING INSTRUCTIONS

---

## IMPORTANT

When the span gas has been removed and the sensor signal has returned to normal, do not forget to return the control card channel to its uninhibited state.

### 10. FIRST TIME SPAN SIGNAL CALIBRATION



When the **1<sup>st</sup> SPAN** push-button is pressed, the operation of the selected control card channel is similar to when the SPAN push-button is pressed.

To carry out the first time span calibration, proceed as indicated in Section 9 Steps (1) to (6) but push the **1<sup>st</sup> SPAN** push-button.

*Note: 1. In Step (6) when the span calibration is updated, the new sensor calibration date and the last sensor calibration date will both be set to the current date.*

*2. On control cards for catalytic sensor inputs, the sensor span signal value is recorded as the new sensor value. This value will be used to provide sensor life monitoring data by comparison with subsequent values obtained during later calibrations using the **SPAN** button.*

### 11. SENSOR SIGNAL MONITORING



The operation of the **SIGNAL** push-button allows the monitoring of the selected channels sensor signal value. The displayed parameter is dependent upon the type of control card.

To enter the sensor signal monitoring operation, proceed as follows:

- (1) Push and hold the required channel card **RESET/SELECT** push-button for approximately 1.5 seconds until the selected icon appears on the channel display.
- (2) Use the Engineering Card (**▲**) and (**▼**) push-buttons to select the required channel.
- (3) Push the **SIGNAL** push-button and the selected channel card display will indicate the sensor signal. The displayed value will depend on the type of sensor drive module fitted to the channel card as follows:

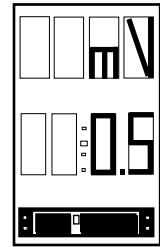
---

# CHAPTER 7 - ENGINEER'S OPERATING INSTRUCTIONS

---

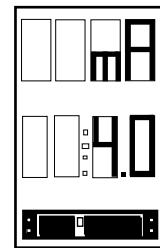
a. Four Channel Control Card - Catalytic

The display will show the live bridge voltage measured between 01 and 02 in mV. 02 is the centre point of the second half of the Wheatstone bridge which is on the channel card.



b. Four Channel Control Card - 4 - 20mA

The display will show the live sensor loop current in mA.



- (4) No alterations can be made to the above readings and pressing either the ✓ or ✗ push-buttons will return the selected control card to the selected mode.

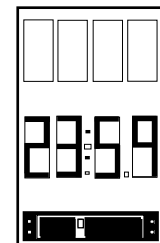
## 12. SETTING THE CLOCK/CALENDAR



*Note: This operation requires a control card to be selected but the operation has no effect on the selected control card, which is used as a display device only.*

To set the clock time and calendar date, proceed as follows:

- (1) Plug the Engineering Key into the Engineering Card front panel socket and check that the Unlocked LED (■) is illuminated.
- (2) Push and hold the required control card **RESET/SELECT** push-button for approximately 1.5 seconds and check that the selected control card indicates it has been selected by displaying the select icon.
- (3) Push the Engineering Card **CLOCK** push-button and the selected control card digital display will show the time of day (eg. 23:59) with the HOURS value flashing.
- (4) Push the Engineering Card **CLOCK** push-button a second time and the selected control card digital display will display the time of day (eg. 23:59) with the MINUTES value flashing.



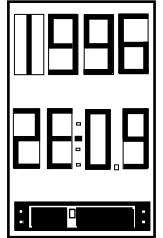
---

# CHAPTER 7 - ENGINEER'S OPERATING INSTRUCTIONS

---

(5) Push the Engineering Card **CLOCK** push-button a third time and the selected control card will display:

- a. The year (eg. 1995) on the message display (flashing).
- b. The month and day (eg. 08-26) or day and month (eg. 26-08) on the digital display depending upon the international date format configuration.



- (6) Subsequent pushes of the **CLOCK** push-button will cause the month and then the day to flash.
- (7) Further pushes of the **CLOCK** push-button will repeat Steps (3) to (6).
- (8) At each stage, use the (▲) and (▼) push-buttons to raise or lower the displayed numerical value as required to set any new date and time.

*Note: Pressing the ✕ push-button at any time during the above sequence will return the Engineering Card to the selected mode without changing the clock time and calendar date.*

- (9) Press the ✓ push-button to set the Engineering Card real time clock to the new date and time, and return the control card to the selected mode.

## 13. MAINTENANCE RECORD PRINTOUTS

For details of the maintenance record printouts, refer to Chapter 6 Section 4.8.



---

# USER NOTES

---

---

# **CHAPTER 8 - SPECIFICATION**

---

## **5704 SERIES CONTROL SYSTEM CHAPTER 8 SPECIFICATION**

---

# CHAPTER 8 - SPECIFICATION

---

## CONTENTS

| Section<br>Page |                                       |      |
|-----------------|---------------------------------------|------|
| 1.              | APPROVALS AND STANDARDS               | 8-3  |
| 2.              | ENVIRONMENTAL                         | 8-3  |
| 3.              | RFI/EMC CONFORMITY                    | 8-3  |
| 4.              | POWER SUPPLIES                        | 8-4  |
| 5.              | INDIVIDUAL MODULE PARAMETERS          | 8-4  |
| 5.1             | Quad Relay Interface Card             | 8-4  |
| 5.2             | Relay Interface Assembly              | 8-4  |
| 5.3             | Four Channel Control Card - General   | 8-5  |
| 5.4             | Four Channel Control Card - Catalytic | 8-6  |
| 5.5             | Four Channel Control Card - 4 - 20mA  | 8-7  |
| 5.6             | Analogue Output Module                | 8-7  |
| 5.7             | Engineering Card                      | 8-8  |
| 5.8             | DC Input Card                         | 8-8  |
| 6.              | CABINET ASSEMBLIES                    | 8-9  |
| 7.              | RACK ASSEMBLIES                       | 8-10 |
| 8.              | POWER SUPPLY UNITS                    | 8.12 |

---

# CHAPTER 8 - SPECIFICATION

---

## 1. APPROVALS AND STANDARDS

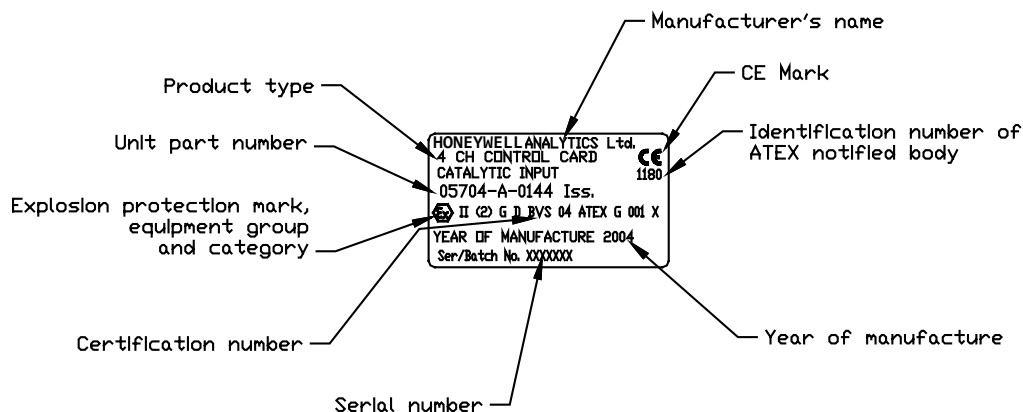
Designed to comply with:

EN 60079-29-1 General Requirements and performance.  
EN 50271 Software and Digital Technologies.

Meets Exe isolation requirements for 50V operation.

DEKRA EXAM GmbH, EC-type examination certificate BVS 04 ATEX G 001 X

*Note: If compliance with the EC-type examination certificate BVS 04 ATEX G 001 X is required, refer to chapter 10 'Special Conditions for Safe Use'. Ensure that all conditions therein are met.*



## 2. ENVIRONMENTAL

Operating Temperature: -5°C to +55°C.  
(\*0°C for EXAM approved systems)  
Storage Temperature: -25°C to +55°C.  
Humidity: 0 to 90% RH. Non-condensing.

## 3. RFI/EMC CONFORMITY

EMC Directive 2004/108/EC

Conforms to:

EN50270: 2006 EMC/RFI

LV Directive 73/23/EEC

Constructed in accordance with good engineering practice. Guided by the principles of EN 61010/1 1990/1992.

---

# CHAPTER 8 - SPECIFICATION

---

## 4. POWER SUPPLIES

|                                 |   |
|---------------------------------|---|
| Power Consumption :<br>(System) | Dependent upon configuration.<br>See Chapter 4, Section 5.      |
| External DC Power Supply:       | 18V to 32V to DC Input Card.                                    |
| External AC Power Supply:       | 85V to 264V at 47Hz to 440Hz.<br>(Using optional AC to DC PSU). |

## 5. INDIVIDUAL MODULE PARAMETERS

### 5.1 Quad Relay Interface Card (05704-A-0121)

|                       |   |               |
|-----------------------|---|---------------|
| Dimensions:           | Height  | 132mm.        |
|                       | Width   | 25mm.         |
|                       | Depth   | 119mm.        |
| Weight:               | 230g.   |               |
| Power:                | 1.7W (maximum)  | 1W (typical). |
| Relays:               | 4 x SPCO.   |               |
| Relay Operation:      | Selectable.<br>Latching/Non-Latching.<br>Energised/De-Energised.      |               |
| Relay Contact Rating: | 5A at 110V/250V ac (non inductive).<br>5A at 32V dc (non- inductive). |               |
| Field Terminals:      | 2.5mm <sup>2</sup> (14 AWG).  |               |

### 5.2 Relay Interface Assembly (05704-A-0131)

Consists of a Expansion Relay Card fitted to a Quad Relay Interface Card.

|             |                         |                 |
|-------------|-------------------------|-----------------|
| Dimensions: | Height                  | 132mm.          |
|             | Width                   | 52mm.           |
|             | Depth                   | 122mm.          |
| Weight:     | 500g.                   |                 |
| Power:      | 6.5W (maximum)          | 3.5W (typical). |
| Relays:     | 12 x SPCO.<br>4 x SPST. |                 |

---

## CHAPTER 8 - SPECIFICATION

---

|                       |   |
|-----------------------|---|
| Relay Operation:      | Selectable.<br>Latching/Non-Latching.<br>Energised/De-Energised.      |
| Relay Contact Rating: | 5A at 110V/250V ac (non inductive).<br>5A at 32V dc (non- inductive). |
| Field Terminals:      | 2.5mm <sup>2</sup> (14 AWG).  |

### 5.3 Four Channel Control Card - General

Four-Part Liquid Display:

|                   |                       |
|-------------------|-----------------------|
| Analogue Display: | 25 segment.           |
| Digital Display:  | Four character.       |
| Message Display:  | Four character.       |
| Icon Section:     | Power On/Card Select. |

LED Indicators: CHL 1, CHL 2, CHL 3, CHL 4 and ATTN.

CHL Indicators:  
of: Two colour amber / red providing warnings

|            |   |
|------------|---|
| A1 Alarm:  | 1 quick red flash per second.             |
| A2 Alarm:  | 2 quick red flashes per second.           |
| A3 Alarm:  | 3 quick red flashes per second.           |
| STEL, LTEL | Slow red flash, 1 second on 1 second off. |

Fault: Flashing amber.

Inhibit: Steady amber.

ATTN Indicator:

Hardware  
or Software Fault: Slow flashing amber.

Update Alarm  
Condition: Fast flashing amber.

Alarm Test: Steady amber.

Push-Button: Alarm Reset/Card Select.

Initial accuracy: ±1%.

Alarm Setting Point  
Resolution: In 1% fsd steps.

---

## CHAPTER 8 - SPECIFICATION

---

Display/Alarm Point:

Linearity:  $\pm 2\%$  fsd.  
Repeatability:  $\pm 2\%$  fsd.

Remote Facilities: Inhibit/Alarm Reset.

Remote Inhibit / Reset Inputs

Active For Inputs: More than 2V.

Maximum Input Voltage: 32V.

Maximum Input Current: 5mA.

DC Supply: 18V to 32V dc.

Electronic Drift: Less than  $\pm 3\%$  / 6 months.

Dimensions: Height: 132mm.  
Width: 25mm.  
Depth: 172mm.

Weight: 170g.

### 5.4 Four Channel Control Card - Catalytic

Power Consumption: 12.8W (maximum at 200mA sensor current).  
8.5W (typical).

Drive: Constant Current.

Initial Accuracy:  $\pm 1\%$ .

Current Adjustment: Electronic in 1mA steps from 90 to 315mA.

Maximum Drive Voltage: 10V.

Protection: Protected against short circuit and open circuit.

Maximum Line Resistance: 40 ohms (including sensor) at 200mA.

Full Scale Signal Range: 15mV to 300mV.

Bridge Imbalance Default Limits:  $\pm 100$ mV from centre at 2V bridge voltage.

Adjustment: Electronic adjustment of bridge balance and signal gain.

---

## CHAPTER 8 - SPECIFICATION

---

Fault Detection: Open circuit.  
Short circuit single bead failure.

Over-Range Default: +10% above fsd.

Under-Range Default: -10% below zero.

### 5.5 Four Channel Control Card - 4 - 20mA

Power Consumption: 8.3W (maximum). 7.5W (typical).

Loop Powered Output Voltage: Isolated 24V  $\pm$  5% regulated, 25mA maximum for loop powered devices.

Transmitter Supply Output Voltage: None.

Loop Protection: Short circuit, open circuit voltage of  $\pm$ 50V.

Configuration: Sensor current source.

Measurement Signal Range: 0 to 25mA (linear).

Maximum Line Resistance: 500 ohms loop resistance including sensor.

Isolation Breakdown Voltage: More than  $\pm$ 50V dc to system 0V.

### 5.6 Analogue Output

Output Compliance Range: 40V.

Protection: Short circuit protected.  
Reverse voltage up to 36V dc.  
Transient voltage of less than 60V dc.

Configuration: Isolated current sink/source with 18 -40V external supply.

Signal Range: 0 - 25mA.

Measurement Signal Range: 0 - 20mA or 4 - 20mA selected by the software.

Linearity From Input: Better than  $\pm$ 2% fsd.

Repeatability From Input: Better than  $\pm$ 1% fsd.

Isolation Breakdown Voltage: More than  $\pm$ 50V dc to system 0V.



---

# CHAPTER 8 - SPECIFICATION

---

## 5.7 Engineering Card

|                    |   |
|--------------------|---|
| LEDs:              | Power On (⚡ - Green LED).<br>Unlocked (🔓 - Red LED).  |
| Push-Button:       |   |
| Operating:         | Up (▲) and Down (▼).<br>Reject (✘) and Accept (✔).<br>Print (Up and Down together).   |
| Functions:         | Bead mA                      Alarms<br>Zero                              Signal<br>Span                              1st Span<br>Inhibit                          Clock |
| Power Consumption: | 1.5W (typical). See rack details.   |
| DC Supply:         | 18V to 32V dc.  |
| Dimensions:        | Height:            132mm.<br>Width:             25mm.<br>Depth:            170mm.   |
| Weight:            | 152g.   |

## 5.8 DC Input Card

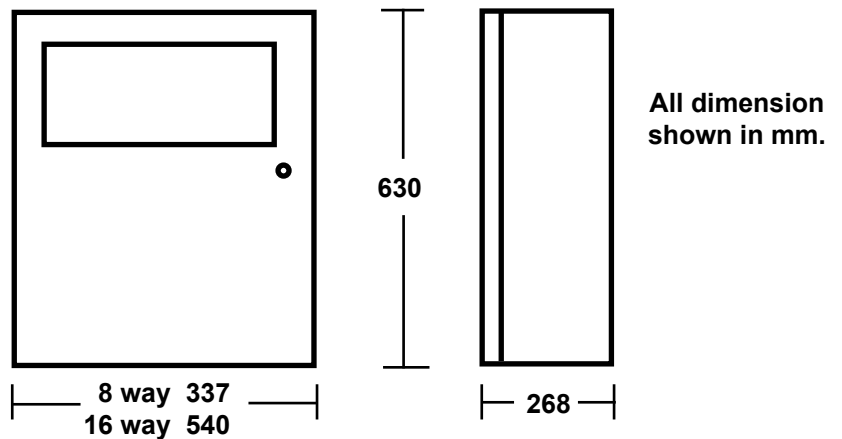
|                  |   |
|------------------|---|
| DC Supply:       | 18V to 32V dc.  |
| Dimensions:      | Height:            112mm.<br>Width:             25mm.<br>Depth:            102mm. |
| Weight:          | 129g.   |
| Fuse Rating:     | 10A Anti-surge. 11/4 x 1/4 inches.  |
| Field Terminals: | 2.5mm" (14 AWG).  |

# CHAPTER 8 - SPECIFICATION

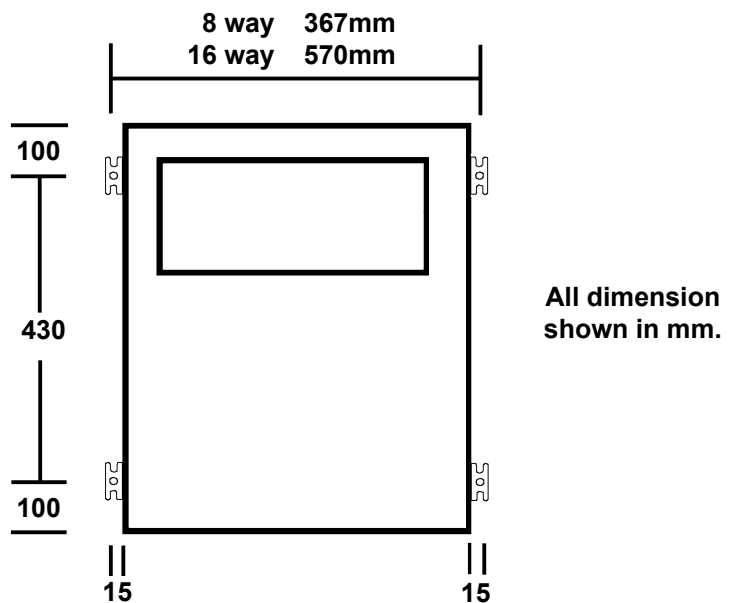
## 6. CABINET ASSEMBLIES

|                |  |
|----------------|--|
| Material:      | Mild steel.                            |
| Weight: 8-way: | 10.0kg                                 |
| 16-way:        | 13.5kg.                                |
| Gland Entries: | Knock-out.                             |
| 8-way          | 2 x M25 6 x PG11<br>8 x M20 2 x PG16   |
| 16-way         | 3 x M25 10 x PG11<br>16 x M20 4 x PG16 |

### Cabinet Dimensions:

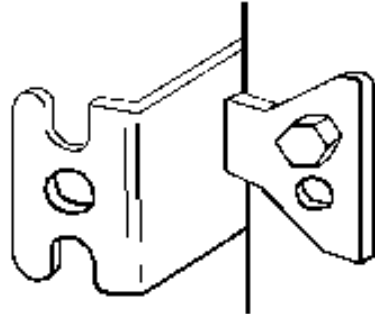


### Wall Mounting Bracket Hole Locations

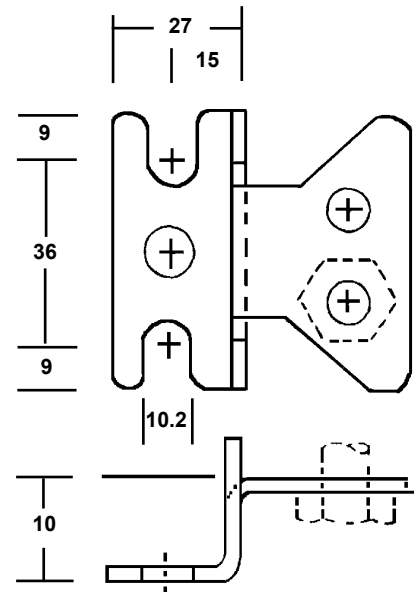


# CHAPTER 8 - SPECIFICATION

## Cabinet Mounting Brackets



All dimension shown in mm.



|                           |   |
|---------------------------|---|
| Hinged:                   | Left hand side.   |
| Lock:                     | Right hand side.  |
| Colour:                   | RAL 7015 slate grey.  |
| Mounting Bracket Holes:   | 10mm (0.4") diameter.   |
| Rack Mounting:            | Universal 19 inch profile.<br>19 inch width and half 19 inch width.                 |
| Earthing Points:          | Main cabinet M6.<br>Door M5.  |
| Mounting Plate:           | Galvanised steel.   |
| <b>7. RACK ASSEMBLIES</b> |   |
| Rack Assemblies Contains: | Engineering Card.<br>DC Input Card.<br>Interconnect Cable (front access rack only). |
| Material:                 | Galvanised steel.   |
| Earthing Point:           | M5 stud.  |
| Mounting:                 | Universal 19 inch and half width (19 inch mounting).                                |
| Power Consumption:        | 1.5W.   |
| Supply Voltage:           | 18 to 32V dc.   |

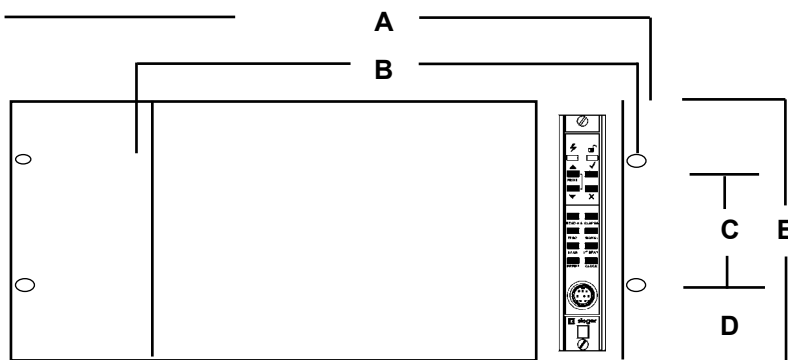
# CHAPTER 8 - SPECIFICATION

Weight: (including Engineering Card and DC Input Card)

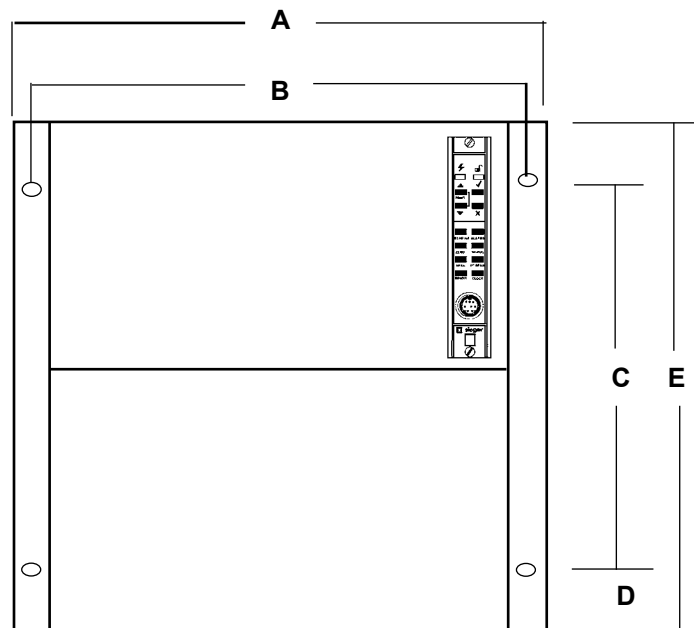
16 Way Front Access: 5.8kg.  
 16 Way Rear Access: 4.1kg.  
 8 Way Front Access: 3.9kg.  
 8 Way Rear Access: 2.8kg.

Table of Sizes (mm)

| Rack Assembly          | A                 | B     | C                                 | D    | E     | Depth |
|------------------------|-------------------|-------|-----------------------------------|------|-------|-------|
| 8 Way Rear Access      | 279.4             | 261.9 | 57.0                              | 37.8 | 132.5 | 287.6 |
| 8 Way Front Access     | 279.4             | 261.9 | 190.5                             | 37.8 | 266.0 | 217.6 |
| 16 Way Rear Access     | 482.6             | 465.1 | 57.0                              | 37.8 | 132.5 | 287.6 |
| 16 Way Front Access    | 482.6             | 465.1 | 190.5                             | 37.8 | 266.0 | 217.6 |
| Panel Cutout Clearance |                   |       |                                   |      |       |       |
| 8 Way<br>16 Way        | Width: 247<br>450 |       | Height as column E<br>as column E |      |       |       |



(holes 6mm diameter)



---

# CHAPTER 8 - SPECIFICATION

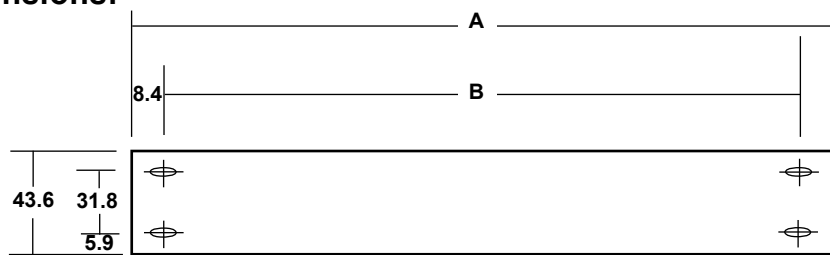
---

## 8. POWER SUPPLY UNITS

|                        |   |
|------------------------|---|
| Mounting:              | Universal 19" and half 19" mounting.  |
| Supply Voltage:        | 85V to 264V ac 47Hz to 440Hz.<br><br>110V to 340V dc.<br>(For information on dc input contact Honeywell Analytics). |
| Inrush Current:        | Typically 30A at 230V input on full load per 50W Module.  |
| Leakage Current:       | 0.75mA maximum per 50W Module.  |
| Overload Protection:   | Operates at more than 105% of rated full load and recovers automatically.   |
| Safety Approvals:      | 50W Module approved to UL1950, IEC950, CSA 22.2 No 234.   |
| Output Voltage:        | 24V $\pm$ 10% dc.   |
| Output Configurations: |   |
| Half 19" Rack:         | 50W or 100W.  |
| Full 19" Rack:         | 50W, 100W, 150W or 200W.  |
| Earthing Point:        | M5 stud.  |
| Weight:                |   |
| Half 19" Rack 50W:     | 900g.   |
| Full 19" Rack 50W:     | 960g.   |
| 50W Module:            | 230g.   |
| Sub Unit:              | 815g.   |

# CHAPTER 8 - SPECIFICATION

**Dimensions:**



Mounting holes = 7mm

| PSU Assembly | A     | B     | Clearance |        |       |
|--------------|-------|-------|-----------|--------|-------|
|              |       |       | Width     | Height | Depth |
| 8 Way        | 279.4 | 261.9 | 222       | 41     | 190   |
| 16 Way       | 482.6 | 465.1 | 443       | 41     | 190   |

---

# USER NOTES

---

---

# **CHAPTER 9 - ORDERING INFORMATION**

---

## **5704 SERIES**

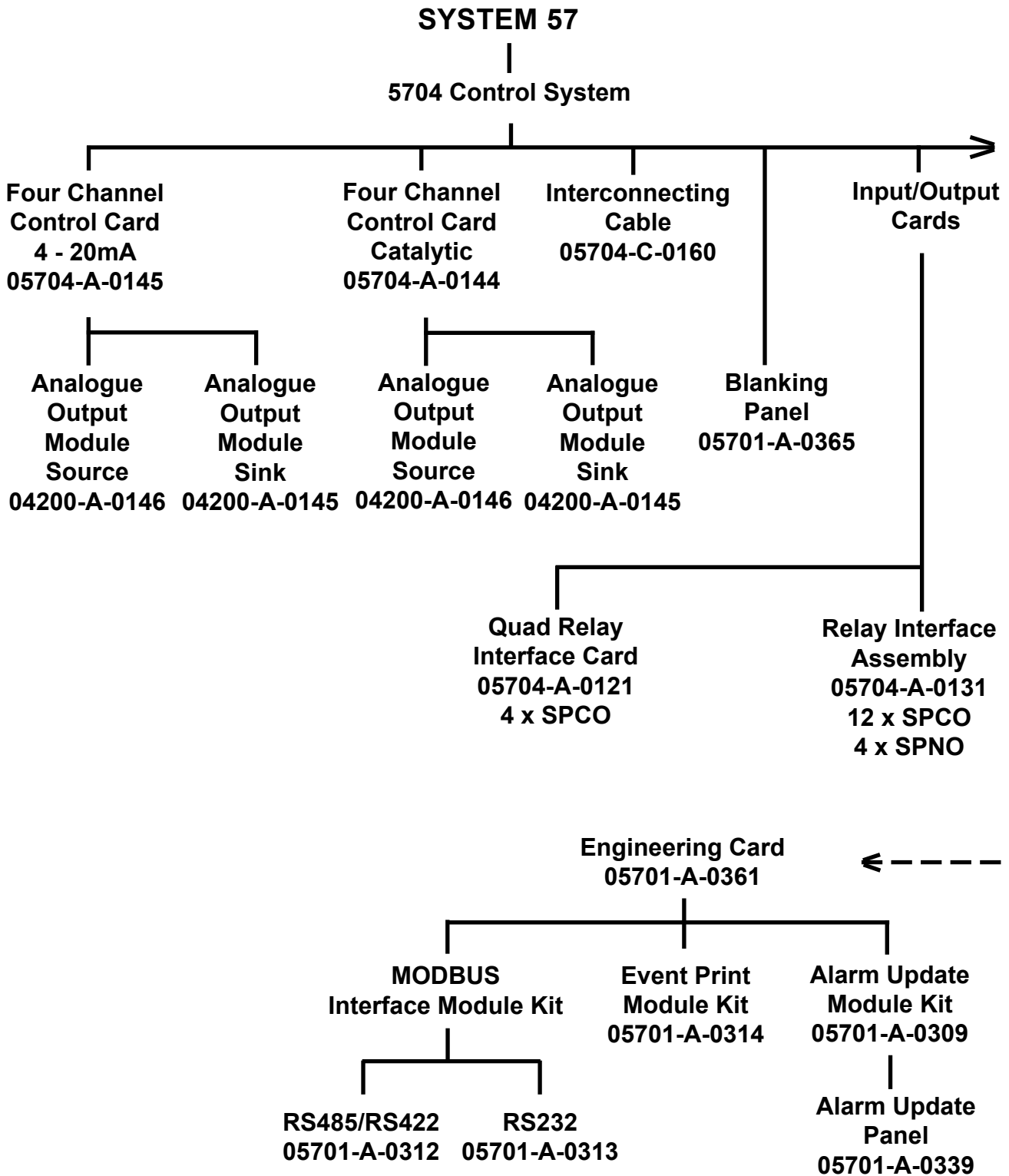
### **CONTROL SYSTEM**

#### **CHAPTER 9**

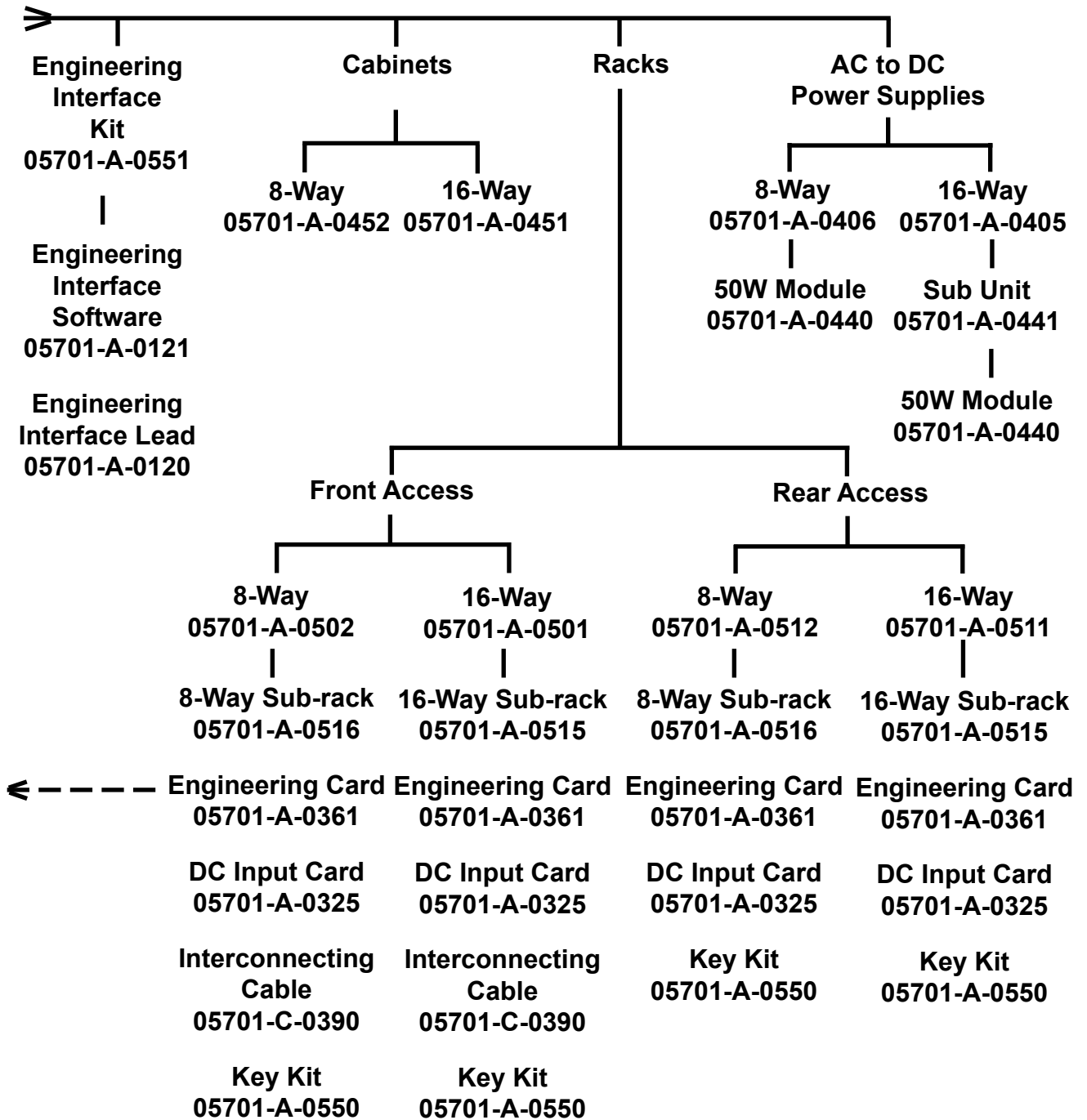
#### **ORDERING INFORMATION**



# CHAPTER 9 - ORDERING INFORMATION



# CHAPTER 9 - ORDERING INFORMATION



---

# CHAPTER 9 - ORDERING INFORMATION

---

---

**CHAPTER 10 -SPECIAL CONDITIONS FOR SAFE USE ACCORDING  
TO EC-TYPE EXAMINATION CERTIFICATE BVS 04 ATEX G 001 X**

---

**5704 SERIES**

**CONTROL SYSTEM**

**CHAPTER 10**

**SPECIAL CONDITIONS FOR  
SAFE USE ACCORDING TO  
EC-TYPE EXAMINATION  
CERTIFICATE BVS 04  
ATEX G 001 X**

---

## CHAPTER 10 -SPECIAL CONDITIONS FOR SAFE USE ACCORDING TO EC-TYPE EXAMINATION CERTIFICATE BVS 04 ATEX G 001 X

---

The following special properties have to be considered at operation of the control unit:

- When operated with remote sensors with 4-20 mA interface the specifications of the 4-20 mA interface and the behaviour below 4 mA and above 20 mA have to be considered.
- The parameters "A/D-average" and "signal filter" shall be set to the sensor-specific default values. Other settings shall only be used in exceptional, justified circumstances and with the manufacturer's permission. For both parameters, the lowest settings shall be used which are possible for the application.
- When configuring the control cards, the sensor specific default settings should be used for the error codes "ER80", "ER81", "ER87" and "ER88" (parameters "signal over range", "signal under range", "fault over range" and "fault under range").
- The error codes "ER87", "ER88" and "ER81" (parameters "fault over range", "fault under range" and "signal under range") shall be set latching.
- When operated with remote sensors (e.g. Sensepoint) which may deliver signals within the measuring range at concentrations above the measuring range, the error code "ER80" (parameter "signal over range") shall be set latching. If the parameter is set below the default value all alarm relays shall be configured in such a way that alarming also takes place in the presence of faults.
- For remote sensors with 4-20 mA interface the parameters "signal over range" and "fault over range" shall be set in such a way that during normal operation (including the application of 100 % gas to the remote sensor) "ER80" can be activated but not "ER87".
- The analogue outputs should be operated with live zero (4-20 mA setting). The "< 4 mA clipping" feature should be activated only in exceptional cases.
- Irrespective of the operating mode of the analogue output, the "fault level" and "inhibit level" shall be configured to different values outside the measuring range. The signalling of faults and inhibits at the analogue output shall be activated.
- If no local inhibit relays are configured, a master inhibit relay shall be configured.
- If no local fault relays are configured, a master fault relay shall be configured.

---

## CHAPTER 10 -SPECIAL CONDITIONS FOR SAFE USE ACCORDING TO EC-TYPE EXAMINATION CERTIFICATE BVS 04 ATEX G 001 X

---

- When relays are used for signalling update alarms, no other alarms or messages must be allocated to them. Configuration of update messages for “inhibit” should be avoided.
- Time delayed relays shall not be used.
- The status of the control unit obtained via Modbus shall be used only for the purpose of visualisation or documentation but not for safety purposes. Write access via Modbus shall be avoided. This certificate is concerned solely with information which can be obtained from Modbus functions 02 and 04.
- When a control card 5701 is configured for master or voted alarms as well as master or voted fault or inhibit messages, high integrity relay cards should be used. If no high integrity relay cards are used, triple relay cards shall be used. In such cases, both the relays and the LEDs of this control card will reflect only the status of the master or voting group. For an “X out of Y” linkage with vote counts  $(X) > 1$ , local alarms or messages of this control card are not displayed if less than X control cards have entered the alarm, fault or inhibit status, respectively. Therefore, voting groups have to be configured in such a way that vote counts of “1” are used for voted faults and inhibit messages to allow for signalling of local fault and inhibit states of the control card.
- Relay 1 of a high integrity relay card is always assigned to a local fault. It is also used for signalling malfunction of the high integrity relay card itself. Therefore, this relay shall be monitored for each high integrity relay card.
- The alarm level with the highest safety relevance shall be configured as latching.
- The control unit shall be mounted in a vibration-free environment.

**Find out more**

[www.honeywellanalytics.com](http://www.honeywellanalytics.com)

**Contact Honeywell Analytics:****Europe, Middle East, Africa, India**

Life Safety Distribution AG  
Weiherallee 11a  
CH-8610 Uster  
Switzerland  
Tel: +41 (0)44 943 4300  
Fax: +41 (0)44 943 4398  
[gasdetection@honeywell.com](mailto:gasdetection@honeywell.com)

**Americas**

Honeywell Analytics Inc.  
405 Barclay Blvd.  
Lincolnshire, IL 60069  
USA  
Tel: +1 847 955 8200  
Toll free: +1 800 538 0363  
Fax: +1 847 955 8210  
[detectgas@honeywell.com](mailto:detectgas@honeywell.com)

**Asia Pacific**

Honeywell Analytics Asia Pacific  
#508, Kolon Science Valley (I)  
187-10 Guro-Dong, Guro-Gu  
Seoul, 152-050  
Korea  
Tel: +82 (0)2 2025 0300  
Fax: +82 (0)2 2025 0329  
[analytics.ap@honeywell.com](mailto:analytics.ap@honeywell.com)

**Technical Services**

EMEA: [HAexpert@honeywell.com](mailto:HAexpert@honeywell.com)  
US: [ha.us.service@honeywell.com](mailto:ha.us.service@honeywell.com)  
AP: [ha.ap.service@honeywell.com](mailto:ha.ap.service@honeywell.com)

[www.honeywell.com](http://www.honeywell.com)

**Please Note:**

While every effort has been made to ensure accuracy in this publication, no responsibility can be accepted for errors or omissions. Data may change, as well as legislation, and you are strongly advised to obtain copies of the most recently issued regulations, standards, and guidelines. This publication is not intended to form the basis of a contract.

Issue 13 01/2010  
H\_MAN0448\_EMEA  
5704 Control System  
05704-M-5001 A03249  
© 2010 Honeywell Analytics

The Honeywell logo is displayed in a bold, red, sans-serif font.